

Jerry's Classic Cars & Parts, Inc.

4094 McRay Avenue • Springdale, AR 72762



'57 '58 '59

Ford Retractable Space Saver Luggage

NEW

NOW accepting PREORDERS. \$950/set



These will be in limited quantities! Each three piece set comes in the original Suntan Brown. It is designed to provide Skyliner owners with full utilization of the luggage tub. It is 100% correct as the original luggage produced by Ford.

To place your order or for more information,
please call 1-800-828-4584 or e-mail jerrysclassicar@aol.com





Ever since the first one rolled off the assembly line Jerry Miller has had a passion for Retractable & Convertibles. Over the past fifty-three years he has accumulated an immense specialized knowledge from his work with these cars. Since the beginning Jerry has restored numerous I.F.R.C. judged showcase cars, six 1957 supercharged (F) cars and many 1957 2x4 (E) cars out of the countless Retractable and Convertibles he has restored.

Jerry has also collected over two hundred 1957 thru 1959 parts, cars and also carries all of the new reproduction and N.O.S. items that can be found. If you need information or restoration assistance please feel free to call, 479-750-1681, Jerry will be more than happy to help you with any of your needs.

ORDERING INFORMATION

Ordering by Mail:

Please list year, make and model of vehicle for which you are ordering, complete part number and description. Include phone number where you may be reached during the day. Provide complete address with street name and house number.

Customer Number:

Please use your computer Customer Number on all order forms. If you do not have a Customer Number, one will be assigned to your account. Please use it on all future orders to speed up delivery of your parts.

Payment:

Although personal checks are welcome, expect a two week delay in shipping due to clearance of the check. Money orders, bank certified checks, MasterCard, Visa, American Express and Discover may be used also.

Shipping:

Most parts are shipped via UPS, but other services are available upon request.

Merchandise Return:

Please inspect merchandise upon arrival. Returns within 30 days of shipping date are O.K. After 30 days a 20% restocking charge will be applied. After six months a 50% restocking charge will be applied. For no reason will merchandise be accepted after one year. All returned merchandise must be accompanied by a copy of the invoice and letter of explanation. Failure to do so will result in a delay of an exchange or refund.

Claims:

All claims must be taken up with carrier. Please keep merchandise in the original carton for the carrier to inspect.

Foreign Shipments:

Add twenty five percent (25%) of total parts ordered for postage. Payments must be in U.S. Funds.

Due to other supplier price increases . . . PRICES ARE SUBJECT TO CHANGE WITHOUT NOTICE.

We guarantee to replace or at our option to repair any product or parts thereof which are found to be defective in material or workmanship within one year from the date of shipment. Our obligation with respect to such products or parts shall be limited to replacement or repair and in no event shall we be liable for consequential or special damages, or for transportation, installation, adjustment or other expenses which may arise in connection with such products or parts. THIS WARRANTY IS EXPRESSLY MADE IN LIEU OF ANY AND ALL OTHER WARRANTIES EXPRESS OR IMPLIED INCLUDING WARRANTIES OF MERCHANTABILITY AND FITNESS.

Customer Service: (479) 750-1681 • Fax: (479) 750-1682 • E-mail: jerrysclassicar@aol.com

Orders Only 1-800-828-4584

Office Hours (Central Time): 8:00AM - 5:00PM Monday thru Friday



JERRY'S CLASSIC CARS & PARTS

Mailing & UPS Address:

Jerry's Classic Cars & Parts, Inc.

4094 McRay Avenue

Springdale, AR 72762

Web Site: www.jerrysclassiccars.com

WHY WAIT?
You Can Shop Online
www.jerrysclassiccars.com



TABLE OF CONTENTS

| | | | |
|----------------------------------|---------|------------------------------------|--------------|
| Accelerator Pedal | 24 | Floor Mat..... | 55 |
| Air Condition Parts | 5 & 49 | Front Suspension Parts | 8 |
| Air Condition Systems | 49 | Fuel Pump..... | 22 |
| Antennas | 47 | Garnish Molding Rubber | 51 |
| Backup Light Parts | 41 | Gas Tank Parts..... | 21 - 22 & 37 |
| Ball Joints | 8 | Gear Shift Parts | 18 |
| Battery Tray & Parts..... | 10 & 25 | Generators..... | 24 |
| Beauty Rings..... | 44 | Glove Boxes | 51 |
| Body to Frame Kit | 8 | Headers | 13 |
| Body Scripts | 73 | Headlight Dimmer Switch | 34 |
| Books & Manuals..... | 81 | Headlight Parts | 34 |
| Brake Hoses | 4 | Headlight Switches | 25 |
| Brake Parts..... | 3 & 5 | Headliners..... | 86 |
| Brake Pedal Pads | 5 | Heater Parts | 45 |
| Brake Shoes..... | 3 | Hood Parts | 43 |
| Bulbs | 82 | Horn Parts..... | 35 |
| Bumper Bolts | 45 | Idler Arm Kits | 8 |
| Bumper Stickers..... | 82 | Ignition Parts | 26 |
| Carburetor Repair Kits | 22 | Ignition Switch Parts..... | 25 |
| Carpet Sets | 86 | Instrument Face..... | 24 |
| Cigar Element & Well | 41 | Interior Kits..... | 77 |
| Clutch Disc | 19 | Kelsey-Hayes Wire Wheels | 87 |
| Clutch Parts..... | 5 & 19 | Key Blanks | 10 |
| Clutch Pedal Pads..... | 5 | Key Chains | 83 |
| Clutch Pressure Plates..... | 19 | Kick Panels | 49 |
| Continental Kits | 84 | License Plate Parts..... | 37 |
| Control Arm Bushings | 8 | License Plates & Bolts | 83 |
| Convertible Top Parts | 77 & 85 | Map | IV |
| Dash Knobs..... | 23 | Master Cylinders | 3 |
| Decals..... | 80 - 81 | Mirrors..... | 43 |
| Deck Lid Jacks | 86 | Miscellaneous Hardware | 83 |
| Defroster Hose | 45 | Misc. Parts Illustrations..... | 89 - 123 |
| Dome Light Lens | 44 | Motor Mounts | 14 |
| Door Bumpers | 60 | Oil Dipstick..... | 17 |
| Door Glass Anti-Rattlers..... | 60 | Oil Filler Caps | 17 |
| Door Handles - Inside..... | 64 | Oil Filter | 17 |
| Door Handles - Outside | 58 | Oil Pressure Units | 22 |
| Door Hinge Bolts | 57 | Oil Pumps..... | 17 |
| Door Lock Sets | 58 | Overdrive Cable Grommet..... | 49 |
| Door Panel Clips | 57 | Padded Dash | 51 |
| Door Seals | 57 | Park Brake Cables | 5 |
| Engine Gaskets..... | 20 | Park Brake Pedal Pads | 5 |
| Engine Parts | 17 - 19 | Parking Light Parts | 35 |
| Exhaust Deflectors..... | 45 | Power Seat Motor | 85 |
| Exhaust Parts | 13 | Power Steering Parts..... | 9 |
| Exhaust Manifolds..... | 16 | Power Window Motor | 60 |
| Exterior Molding Clip Sets | 86 | Power Window Set Ups..... | 61 |
| Fan Belts | 21 | Quarter Moldings | 74 |
| Fender Seal, Etc..... | 41 | Quarter Window Anti-Rattlers | 74 |
| Fender Skirts, Etc. | 73 | Quarter Window Pads & Seals | 74 |
| Firewall Covers | 47 | Radiator Hose Clamps | 21 |
| Firewall Grommets | 82 | Radiator Hoses..... | 21 |



TABLE OF CONTENTS - *continued*

| | | | |
|---|---------|--------------------------------------|---------|
| Radiators "New" | 21 | Taillight Parts | 39 |
| Radiator Parts | 20 - 21 | Temperature Senders..... | 25 |
| Radios | 33 | Thermostats | 20 |
| Rear Axle Parts..... | 10 | Tie Rod End | 8 |
| Rear Seat Center Molding | 77 | Tires | 87 |
| Rear Window Seal | 75 | Transmission Rebuild Kits..... | 16 |
| Retractable Top Parts..... | 79 - 80 | Trim Screw Kits | 84 |
| Rocker Moldings | 51 | Trunk Board & Mat Kits | 76 |
| Rocker Patch Panels | 51 | Trunk Parts | 76 |
| Roof & Rear Seat Emblem & Bezel | 73 | Tubs | 86 |
| Scuff Plates | 54 | Turn Signal Parts | 37 |
| Sheet Metal | 51 | Vent Window Rubber - Back Edge | 59 |
| Shocks | 45 | Vent Window Rubbers | 59 |
| Side Trim Sets..... | 79 | Ventilator System..... | 47 |
| Spark Plugs & Wires | 27 | Visor Related Parts | 47 |
| Speedometer Cable | 43 | Voltage Regulators..... | 24 |
| Stabilizer Bar Kits..... | 11 | Water Pumps | 20 |
| Star Wheel Adjusting Screw Assembly | 3 | Wheel Bearings | 1 |
| Starter Parts | 25 | Wheel Cylinders | 3 |
| Starter Rings Gear | 25 | Wheel Parts..... | 1 |
| Starters..... | 25 | Window Cranks | 61 |
| Steering Gear Parts | 8 | Window Lift Channel Seal | 60 |
| Stone Deflector Seals | 45 | Windshield Seals | 50 |
| Striker Plates..... | 64 | Wiper Parts | 43 |
| Suspension Parts..... | 8 | Wiring | 28 - 32 |

We are here to serve you. In order to serve you better, we would like to know of your particular needs. Drop us a Card.

Thank you for your continued patronage.

Jerry



BUY AMERICAN

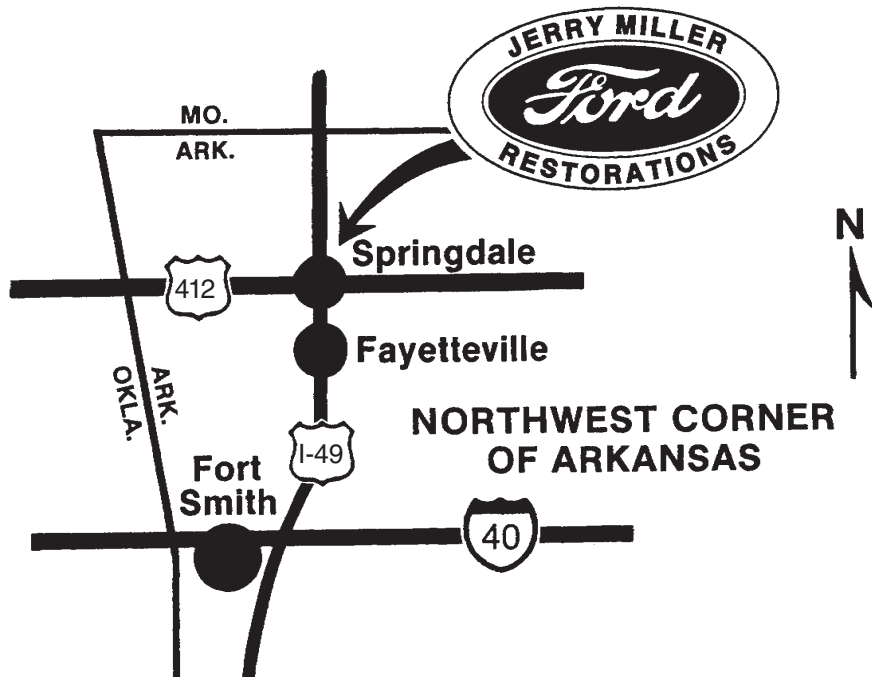


Chrome & Stainless Refinishing Services

We refinish all chrome and stainless
Including:

- Bumpers \$500.00 ea.
- Bumper guards
- Straighten and polish stainless — flat sided \$20.00 per foot.
- All pot metal — vent window frames, quarter window frame etc.
 - Standard chrome — grills, taillight bezels.
- Straighten and polishing of any aluminum — 1959 taillight buckets, park light bezels.
- Replacing all black stripping — 1959 grills, 58-59 taillight buckets, etc.
 - Bright dipping — 1959 grills

All of our work is show quality and *100% satisfaction guaranteed!*
Very quick turn around times. Most jobs are processed in 2-3 weeks.
Call anytime for quote 1-800-828-4584.





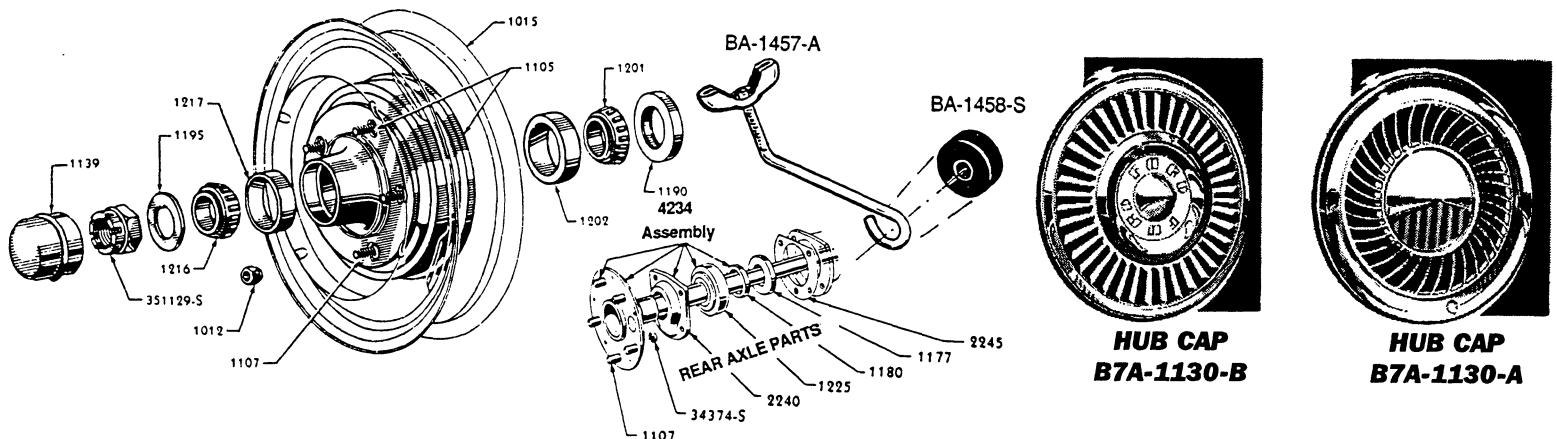
FRONT WHEEL, HUB, BEARING, HUBCAPS

| | | | |
|------------------------|---|----------------------------|---------------------|
| B-1012 | Wheel Nut | 1932-59 | .50 ea. |
| B-1107-A | Hub Bolt Stud | 1949-59 | 1.00 ea. |
| B7A-1130-B | 14" Hub Cap-38 Embossments, Full Disc | 1957 | 120.00 ea. |
| B9A-1130-A | 14" Hub Cap-36 Strut Design, Full Disc | 1958-59 | 110.00 ea. |
| B5A-1131-A | Front Hub Grease Cap, 1-25/32" I.D. | 1949-59 | 5.00 ea. |
| B9A-1141 | SunRay Wheel Cover Emblems | 1959 | 60.00 ea. |
| B9AB-1130-B | Hub cap-full disc w/SunRay emblem installed | 1959 | 170.00 ea. |
| B7A-1177-A | Rear Axle Grease Seal, 1-1/2" I.D. - 2-1/2" O.D. Fits: Sedan Delivery Retractable, Ranchero & T-Bird Fits: Station Wagon Fits: Heavy Duty Station Wagon | 1957-59 1949-58 1959 | 5.00 ea. |
| B7A-1177-B | Rear Axle Grease Seal, 1-3/8" I.D. - 2-3/8" O.D. Fits: All Passenger Except Sedan Delivery Station Wagon, Retractable & Ranchero Fits: All Passenger Except Heavy Duty Station Wagon Retractable & Ranchero | 1957-58 1958 | 9.00 ea. |
| B5A-1190-A | Front Wheel Grease Seal | 1955-59 | 4.00 ea. |
| C2AZ-1195-A 72054-S | Front Hub Outer Bearing Retainer Washer Cotter Pin for Front Wheel | 1955-64 ALL | 4.00 ea. .50 ea. |

FRONT WHEEL BEARING

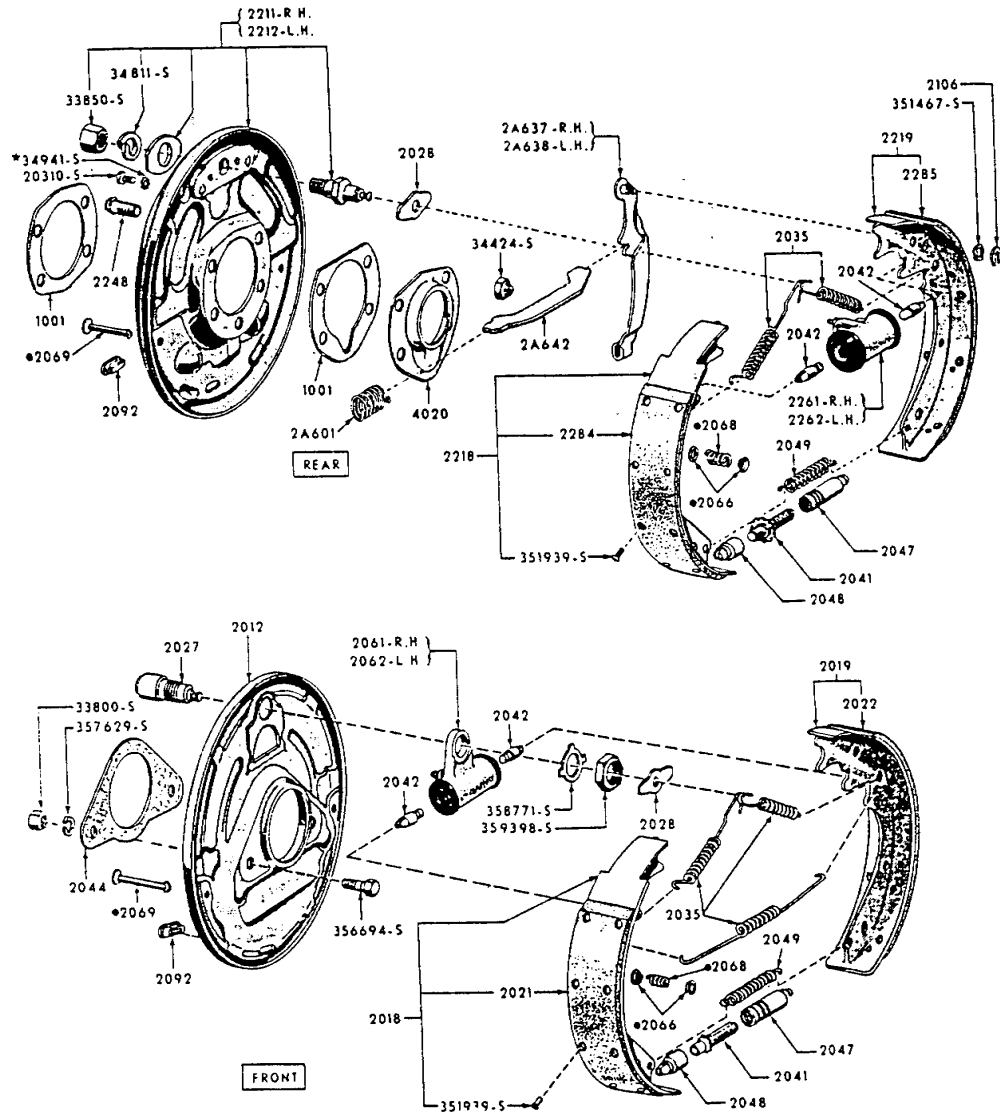
| | | | |
|-----------|--|---------|-----------|
| B5A-1201 | Inner Bearing | 1955-59 | 13.00 ea. |
| B5A-1202 | Inner Race | 1955-59 | 6.50 ea. |
| B5A-1216 | Outer Bearing | 1955-59 | 9.50 ea. |
| B5A-1217 | Outer Race | 1955-59 | 6.50 ea. |
| B7AZ-1225 | Rear Axle Bearing | 1957-60 | 30.00 ea. |
| BA-1457-A | Spare Wheel Hold Down Wing Nut with Rubber Coated Ends Fits: All Except Wagon, Sedan Delivery & Retractable | 1952-58 | 14.00 ea. |

WHEELS, HUBS & DRUMS



Base numbers only shown on illustration. Order by part Numbers shown in list of parts.

FRONT & REAR BRAKES



Base numbers only shown on illustration. Order by part Numbers shown in list of parts.



BRAKE SHOE RETURN SPRING

| | | | |
|------------|--|---------|----------|
| B5A-2035-A | Brake Shoe Return Spring - Two per Wheel | 1955-59 | 6.00 ea. |
|------------|--|---------|----------|

STAR WHEEL ADJUSTING SCREW ASSEMBLY

| | | | |
|------------|---|---------|-----------|
| B5A-2041-S | Star Wheel Adjusting Screw Assembly - One per Wheel | 1955-60 | 14.00 ea. |
|------------|---|---------|-----------|

BRAKE ADJUSTING SCREW SPRING

| | | | |
|----------|--|---------|----------|
| B5A-2049 | Brake Adjusting Screw Spring - One per Wheel | 1955-59 | 8.00 ea. |
|----------|--|---------|----------|

MISCELLANEOUS BRAKE PARTS

| | | | |
|------------|--|---------|----------|
| B7A-2042-A | Brake Shoe to Wheel Cylinder Link | 1949-64 | 5.00 ea. |
| B7A-2047-A | Brake Adjusting Screw Nut - Before 6-15-62 | 1955-62 | 4.50 ea. |
| B7A-2048-A | Brake Adjusting Screw Socket | 1955-60 | 3.00 ea. |
| B7A-2069-A | Brake Shoe Hold Down Spring Pin - Front | 1955-59 | .75 ea. |
| 8A-2092 | Brake Adjusting Hole Cover - Rubber | 1949-59 | .50 ea. |
| 91A-2106 | Lock Clip for Park Brake Lever - Two per Car | 1939-59 | .75 ea. |
| 01A-13480 | Stop Light Switch | 1940-59 | 5.00 ea. |

BRAKE SHOE HOLD-DOWN KIT

One Kit does Two Wheels

| | | | |
|------------|---|---------|-----------|
| 7C-2065-S | Brake Shoe Hold-Down Kit - Front Only - Passenger | 1955-59 | 10.00 kit |
| B5A-2065-S | Brake Shoe Hold-Down Kit - Rear Only - Passenger | 1955-59 | 10.00 kit |

BRAKE SHOES & LININGS

| | | | |
|----------|---|---------|-----------|
| 263-2001 | Brake Shoes & Lining - Front - Passenger | 1955-59 | 50.00 set |
| 55-2201 | Brake Shoes & Lining - Rear - Passenger | 1955-59 | 50.00 set |
| 10-2001 | Brake Shoes & Lining - Rear - Station Wagon & Retractable | 1952-59 | 50.00 set |

MASTER CYLINDER REPAIR KIT

| | | | |
|------------|---|---------|-----------|
| B5A-2004-A | Master Cylinder Repair - Ford & Mercury | 1952-59 | 35.00 ea. |
| B7A-2004 | Master Cylinder Repair - Ford with Power Brakes | 1957-59 | 30.00 ea. |

MASTER CYLINDER ASSEMBLIES

| | | | |
|-----------|---|---------|------------|
| B7A-2140 | Master Cylinder Assemblies (Except with Power Brakes) | 1957-59 | 155.00 ea. |
| AB-2162-C | Master Cylinder Cap - Metal | 1952-59 | 12.00 ea. |
| 8M-2167 | Master Cylinder Cap Gasket | 1949-59 | 2.25 ea. |

"We can also rebuild your Master Cylinder. Call for more information."



BUY AMERICAN

COMPLETE WHEEL CYLINDER ASSEMBLIES

| | | | |
|----------|---|---------|-----------|
| B7A-2061 | Right Front - All Passenger | 1957 | 50.00 ea. |
| | Left Front - All Passenger | 1958 | 50.00 ea. |
| | Right Front - All Passenger | 1959 | 50.00 ea. |
| B7A-2062 | Left Front - All Passenger | 1957 | 50.00 ea. |
| | Right Front - All Passenger | 1958 | 50.00 ea. |
| | Left Front - All Passenger | 1959 | 50.00 ea. |
| 8A-2261 | Right Rear - All Except Wagon, Sedan Delivery Retractable & Ranchero | 1949-59 | 36.00 ea. |
| 8A-2262 | Left Rear - All Except Wagon, Sedan Delivery Retractable & Ranchero | 1949-59 | 36.00 ea. |

WHEEL CYLINDER REPAIR KIT

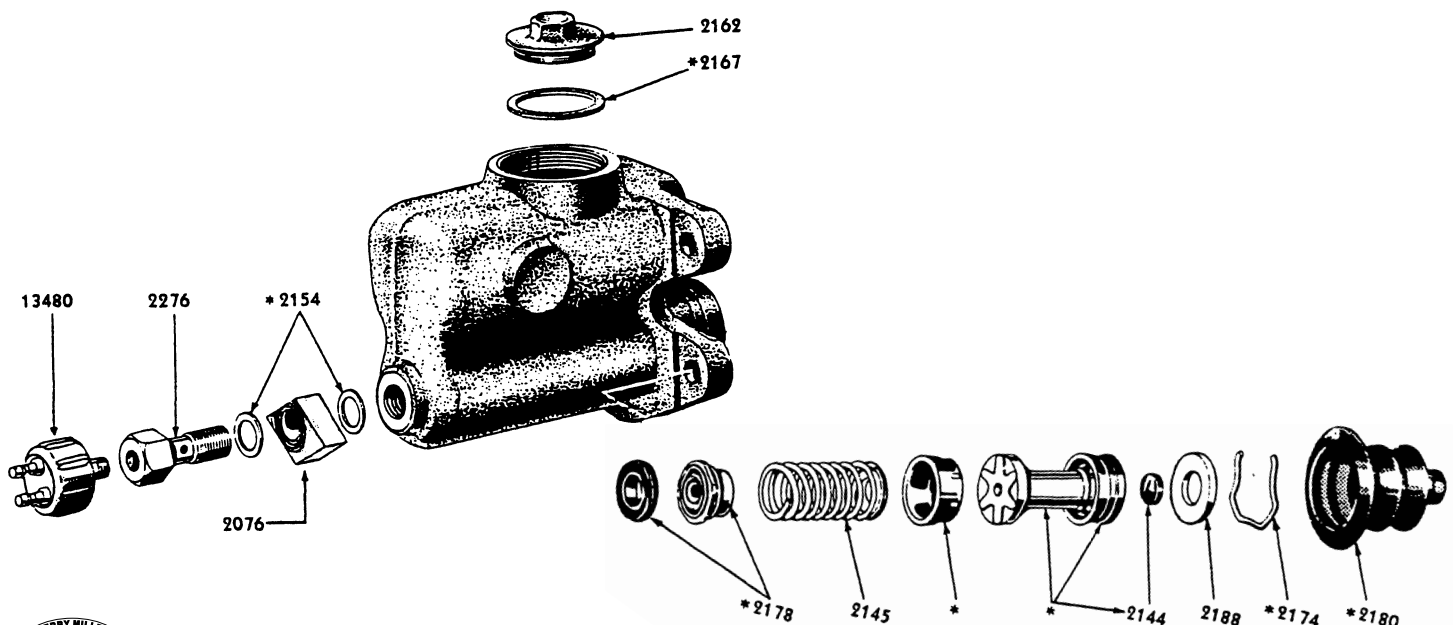
| | | | |
|----------|---|---------|-----------|
| 8M-2221 | Wheel Cylinder Repair Kit - Front | 1949-59 | 10.00 ea. |
| 8A-2128 | Wheel Cylinder Repair Kit - Rear 7/8" All Except Wagon, Delivery, Retractable & Ranchero | 1949-59 | 10.00 ea. |
| B2A-2128 | Wheel Cylinder Repair Kit - Rear 15/16" Fits: Wagon, Sedan Delivery, Retractable & Ranchero Only | 1952-59 | 10.00 ea. |

BRAKE HOSES

| | | | |
|-----------|--|---------|-----------|
| 8A-2078 | Rear - All Passenger Except Station Wagon & Skyliner | 1957-58 | 30.00 ea. |
| B7A-2079 | Rear - Skyliner Only | 1957 | 27.00 ea. |
| CITT-2282 | Rear - Wagon Only | 1957-58 | 26.00 ea. |
| B8A-2079 | Rear - Skyliner Only | 1958 | 30.00 ea. |
| B8A-2079 | Rear - All Passenger | 1959-64 | 30.00 ea. |
| B7A-2079 | Front - All Passenger | 1957 | 27.00 ea. |
| B8A-2079 | Front - All Passenger | 1958 | 30.00 ea. |
| B9A-2079 | Front - All Passenger | 1959 | 26.00 ea. |

POWER BRAKE CONVERSION KIT

| | | | |
|-------------|--|---------|------------|
| BRAKE/CONV. | Power brake conversion kit for standard brakes or upgrade for existing power brakes. Kit includes: 7 inch booster, dual reservoir master cylinder and adjustable proportioning valve. This is a direct bolt on unit. Can be used with drum or disc brakes. | 1957-59 | 550.00 kit |
|-------------|--|---------|------------|





CLUTCH & BRAKE PEDALS

Pods are Slip-Over Cover Type

| | | | |
|-------------|--|---------|-----------|
| AB-2454 | Clutch & Brake Pedal - Replacement for Straight Drive | 1952-59 | 6.00 ea. |
| B7A-2457-A | Clutch & Brake Pedal - Original for Straight Drive | 1952-59 | 4.50 ea. |
| AB-2454-B | Brake Pedal for Automatic Transmission (this is not a cover) | 1957-59 | 21.00 ea. |
| B9A-2454-B | "SWIFTSURE" Power Brake Pedal | 1954-58 | 74.00 ea. |
| B7AZ-2471-A | Brake & Clutch Pedal Bushings - 5/8" long - plastic | 1957-59 | 2.00 ea. |

PARKING BRAKE PARTS

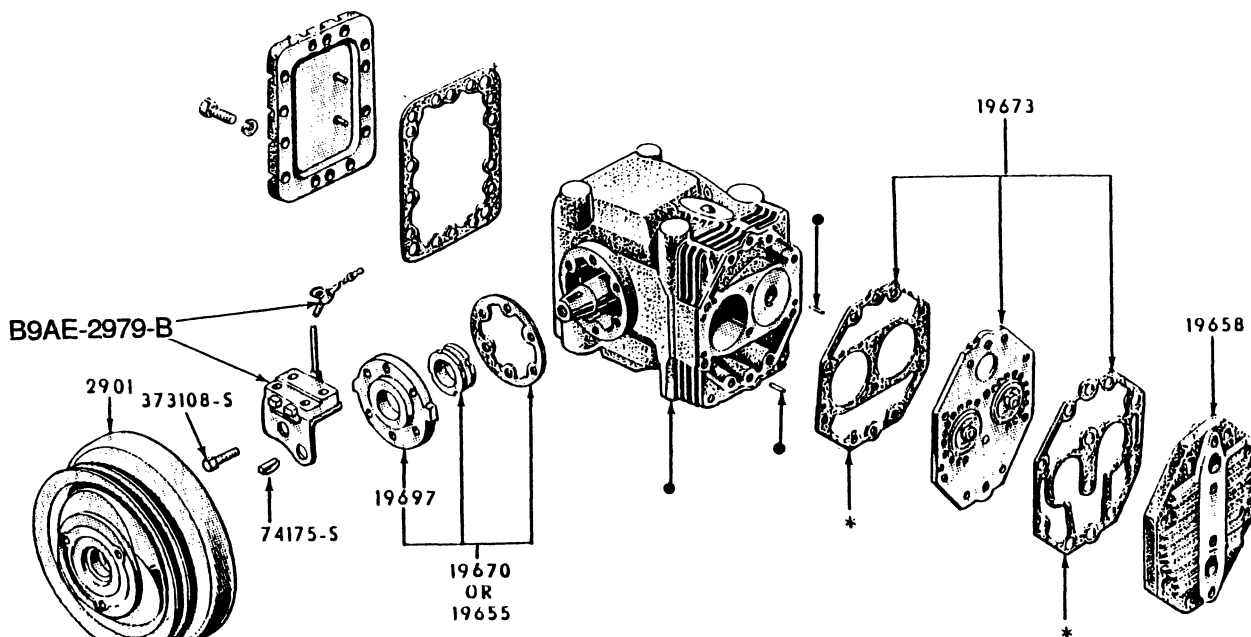
| | | | |
|------------|---|---------------|-----------|
| B9A-2454-A | Parking Brake Pedal Pad | 1959 | 6.00 ea. |
| 8A-2091 | Parking Brake Cable Adjustment Nut | 1949-64 | 5.25 ea. |
| OM-2804 | Parking Brake Cable Pulley | 1952-58 | 28.75 ea. |
| OM-2788 | Parking Brake Ratchet Bar Pawl Locking Spring | 1952/58/60/64 | 3.00 pr. |

PARK BRAKE CABLES

| | | | |
|-------------|---|---------|-----------|
| B7A-2853-A | FRONT - Fits all Bodies | 1957-58 | 45.00 ea. |
| B7AZ-2635-A | REAR Emergency Brake Cable - fits all except retractable 51A; conv. 76B | 1957-58 | 45.00 ea. |
| B7AZ-2635-B | REAR Emergency Brake Cable - Repl Type Convert & Retract 2 Req | 1957 | 40.00 ea. |
| B8AZ-2635-A | REAR Emergency Brake Cable - Repl Type Convert & Retract 2 Req | 1958 | 45.00 ea. |
| B9A-2853-A | Front Parking Brake Cable - Repl Type All | 1959 | 45.00 ea. |

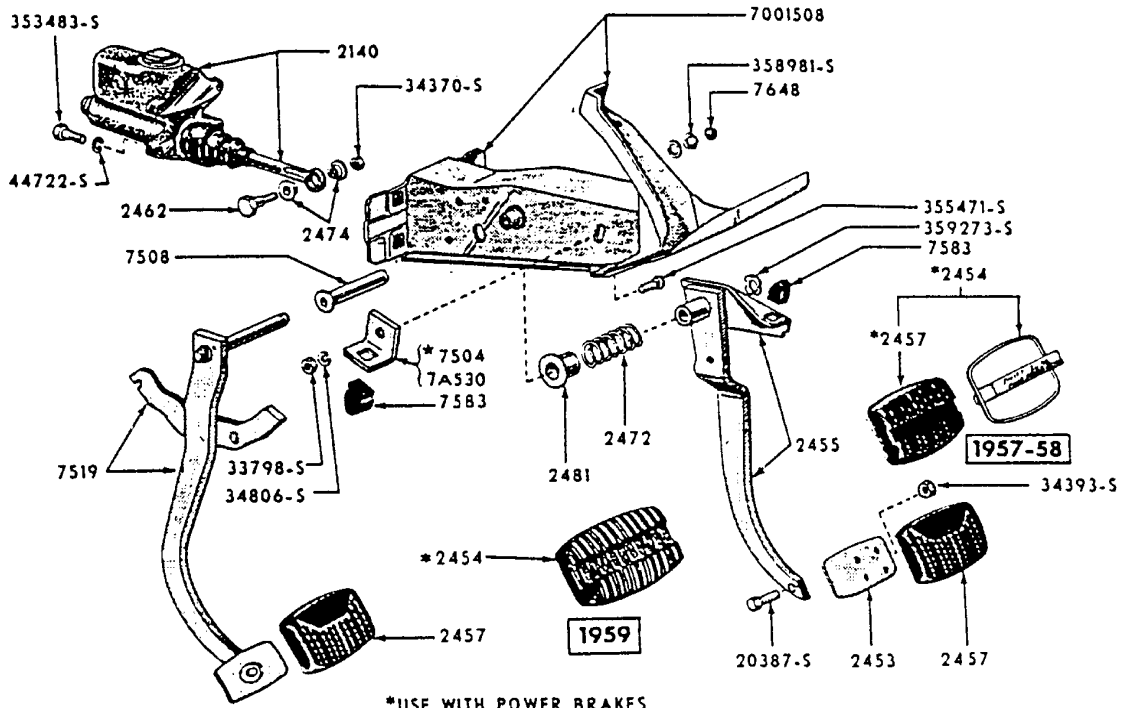
AIR CONDITIONING COMPRESSOR CLUTCH BRUSH & HOLDER ASSEMBLY

| | | | |
|-------------|---|---------|-----------|
| B9AE-2979-B | Brush & Holder Assembly with Top Hose Mounts Mounts on top of compressor | 1958-59 | 30.00 ea. |
| COAE-2979-E | Brush & Holder Assembly with Side House Mounts Mounts on top of compressor | 1958-59 | 35.00 ea. |



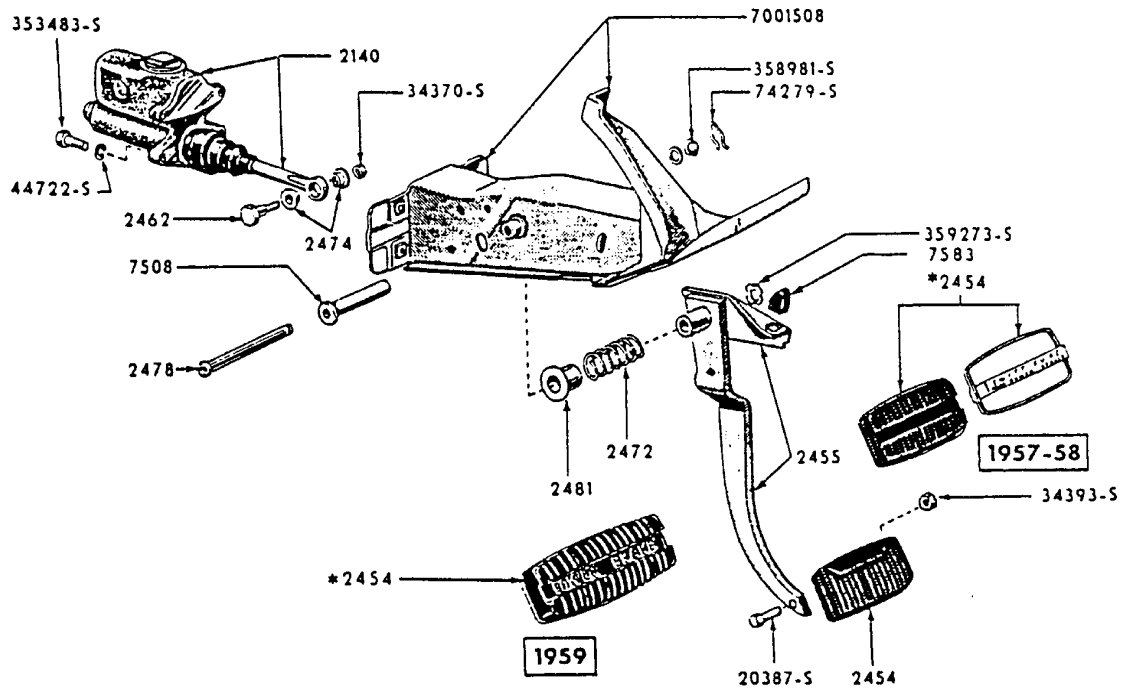
*We are here to serve you.
In order to serve you better, we would like to know of your particular needs.
Drop us a card.
Thank you for your continued patronage.
Jerry*

1957-59 BRAKE PEDAL & RELATED PARTS



*USE WITH POWER BRAKES

1957/59 BRAKE PEDAL AND RELATED PARTS (MANUAL GEAR SHIFT) (FORD)



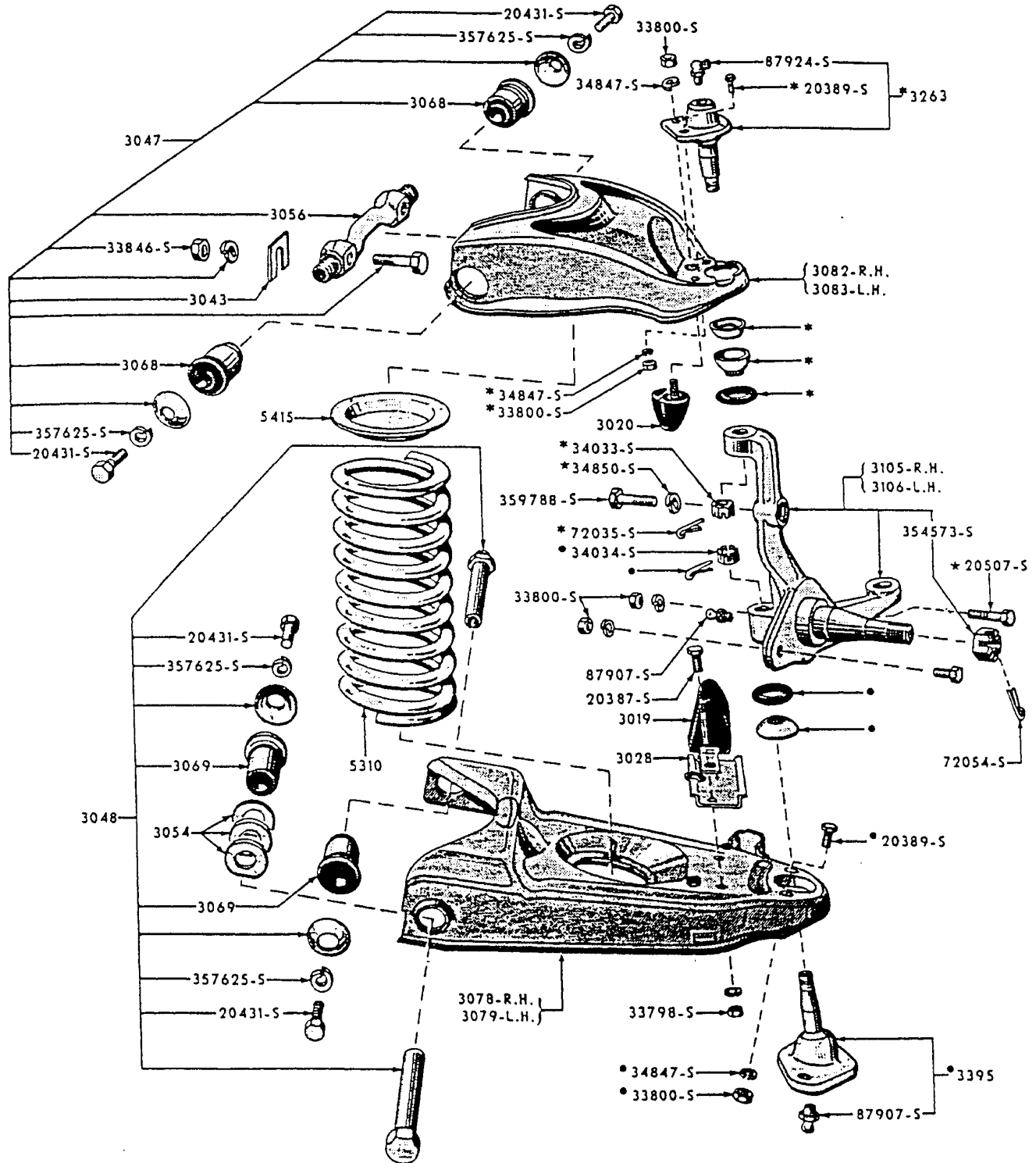
*USE WITH POWER BRAKES

1957-59 BRAKE PEDAL 7 RELATED PARTS - FORD-O-MATIC & FORD

Base numbers only shown on illustration. Order by part Numbers shown in list of parts.



FRONT SUSPENSION



Base numbers only shown on illustration. Order by part Numbers shown in list of parts.



BODY TO FRAME KIT

| | | | |
|-------------|---|---------|------------|
| B7A-5001-A | Fits all except retractable, convertible, ranchero & wagons | 1957-59 | 200.00 kit |
| B7A-5001-C | Body to Frame Pad Kit - Convertible | 1957-59 | 175.00 kit |
| B7A-5001-RT | Retractable Body Mount Kit | 1957-59 | 200.00 kit |
| B8A-5001 | Pad Kit Only - 16 pieces - Retractable & Convertible | 1957-59 | 98.00 kit |

FRONT SUSPENSION PARTS

| | | | |
|----------------|---|---------|------------|
| B7A-3019 | Rubber Bumper - Front Suspension Lower Arm without Stud | 1957 | 7.00 ea. |
| B8A-3019-A | Rubber Bumper - Front Suspension Lower Arm with Stud | 1957-63 | 7.50 ea. |
| COAZ-3020-A | Upper Bumper - Passenger | 1957-63 | 7.50 ea. |
| 8A-5415-A | Front Coil Spring Rubber Insulator | 1949-66 | 5.50 ea. |
| B8A-7580950-PR | Front coil springs—fits all | 1957-59 | 150.00 pr. |

CONTROL ARM BUSHINGS

| | | | |
|-----------|--|---------|-----------|
| AJ-3068-A | Control Arm Bushings - Upper Inner - Need Two per Side | 1957 | 12.00 ea. |
| B4A-3069 | Control Arm Bushings - Lower Inner - Need Two per Side | 1954-59 | 8.00 ea. |
| C1AA-3068 | Control Arm Bushings - Upper - Need Two per Side | 1959-64 | 22.50 ea. |

BALL JOINTS

| | | | |
|-----------|--------------------|---------|-----------|
| C1AZ-3049 | Ball Joint - Upper | 1957-64 | 30.00 ea. |
| C1AZ-3050 | Ball Joint - Lower | 1957-64 | 50.00 ea. |

TIE ROD END

| | | | |
|----------|----------------------------|---------|-----------|
| B7A-3280 | Tie Rod End - Right Inner | 1957-58 | 45.00 ea. |
| B7A-3281 | Tie Rod - Left Inner | 1957-58 | 45.00 ea. |
| B9A-3280 | Tie Rod - Right Inner | 1959-60 | 45.00 ea. |
| B9A-3281 | Tie Rod End - Left Inner | 1959-60 | 45.00 ea. |
| 11A-3289 | Tie Rod End - Right | 1949-59 | 16.00 ea. |
| 11A-3290 | Tie Rod End - Left | 1949-59 | 16.00 ea. |
| 11A-3310 | Sleeve Only - Steering Arm | 1941-59 | 15.00 ea. |

IDLER ARM KITS

| | | | |
|------------|--|---------|-----------|
| B4A-3352-A | Idler Arm Kit - with Power Steering | 1954-59 | 40.00 kit |
| B7A-3352 | Idler Arm Kit - without Power Steering | 1957-59 | 30.00 kit |
| 8M-3359 | Idler Arm Seal | 1949-59 | 2.00 ea. |

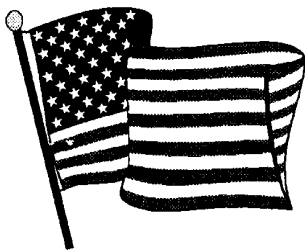
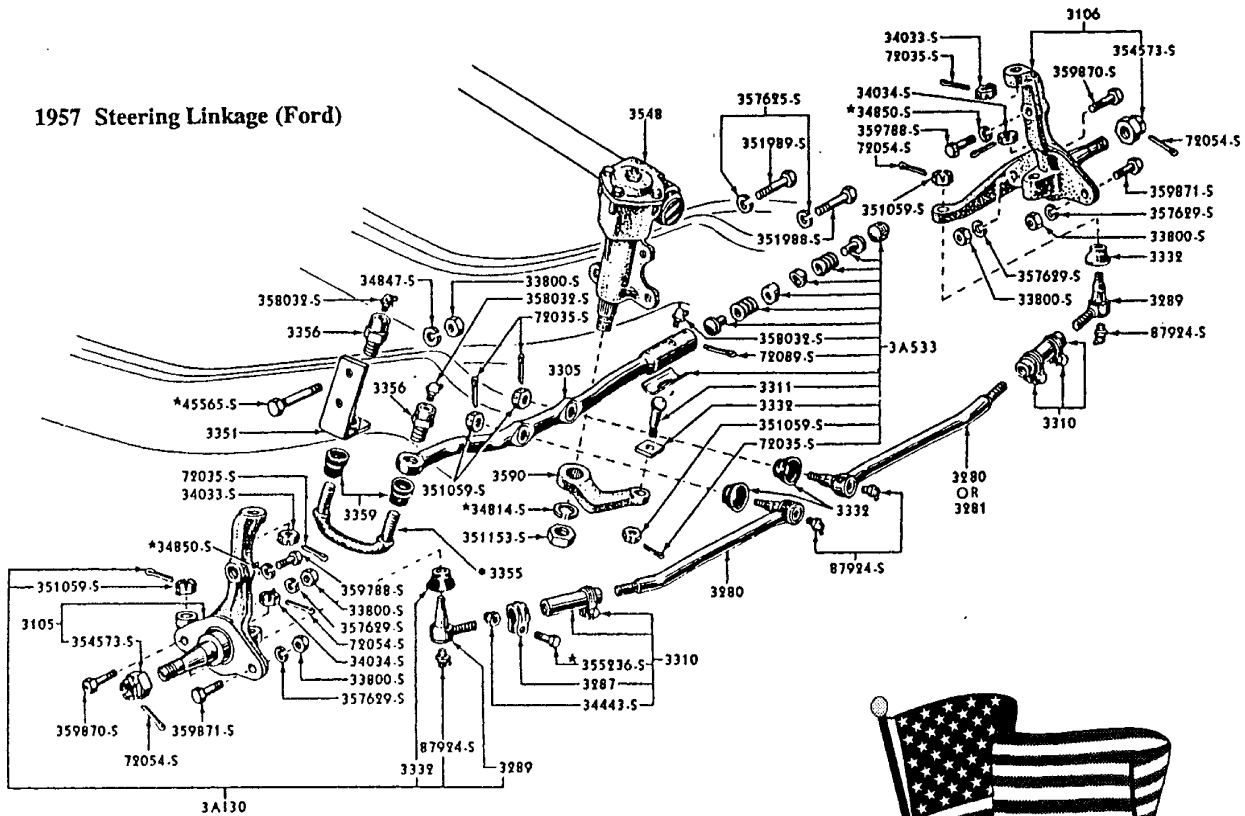
STEERING GEAR PARTS

| | | | |
|-------------|--|---------|------------|
| B7A-3513 | Steering Column to Floor Seal - Goes under floor mat | 1957-58 | 10.00 ea. |
| 11A-7001730 | Steering Column to Floor Seal - Goes on top of floor mat | 1949-58 | 10.00 ea. |
| B2AZ-3533-A | Drag Link to Pittman Arm - Ball Stud Repair Kit - Passenger <small>except power steering</small> | 1952-59 | 60.00 kit |
| B-3552 | Cup or Race for Steering Worm Bearings - Lower | 1949-57 | 12.00 ea. |
| 8A-3553 | Cup or Race for Steering Worm Bearings - Upper | 1949-57 | 22.00 ea. |
| 68-3571-A | Bearing Roller Steering Worm - Two per Car | 1949-57 | 8.00 ea. |
| B8A-3581-A | Steering Housing Cover Gasket - Passenger | 1949-57 | 3.00 ea. |
| 8A-3591-A | Steering Sector Seal | 1958-64 | 4.50 ea. |
| 8M-3591 | Steering Sector Seal - Used with three teeth sector | 1956-57 | 4.50 ea. |
| AB-3581 | Steering Box Gasket Set | 1952-57 | 7.50 ea. |
| B7A-3627 | Horn Button - Plastic | 1957 | 35.00 ea. |
| B8A-3524-A | Steering Worm and Shaft | 1958-59 | 200.00 ea. |

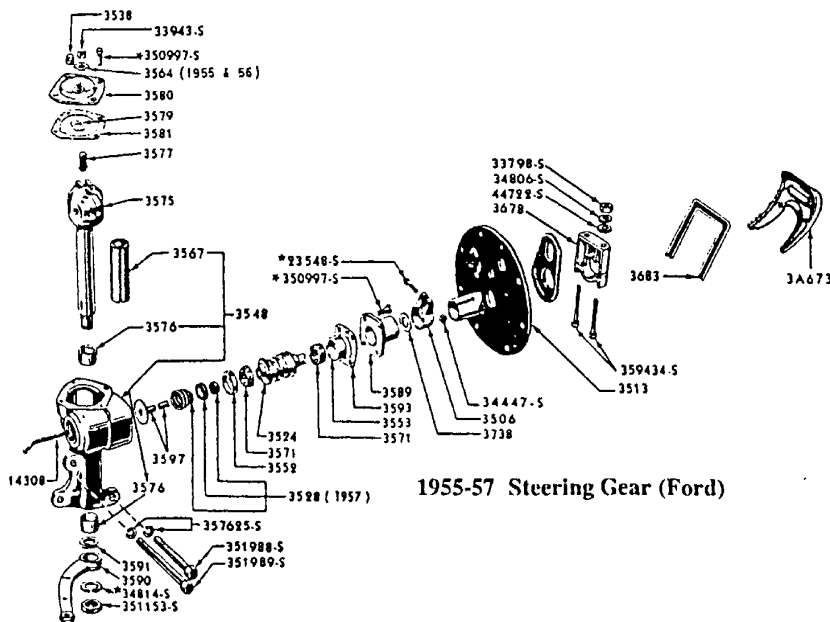


STEERING LINKAGE / STEERING GEAR

1957 Steering Linkage (Ford)



BUY AMERICAN



1955-57 Steering Gear (Ford)



Key Blank-Trunk



Key Blank-Igintion

Base numbers only shown on illustration. Order by part Numbers shown in list of parts.



POWER STEERING PARTS

| | | | |
|--------------|--|---------|------------|
| C2SZ-3B584-A | Power Steering Pump Repair Kit | 1957-59 | 20.00 ea. |
| B7A-33538-B | Power Steering Oil Reservoir Filter Element | 1957-59 | 25.00 ea. |
| B7A-3A540-A | NEW Power Steering Ram "Slave Cylinder" | 1957-59 | 405.00 ea. |
| B7A-3A714-A | Power Steering Hose from Valve to Cylinder - Two per Car | 1957-59 | 55.00 ea. |
| B7AZ-3A719-A | Power Steering Hose Pump to Valve: 6 & 8 cylinder (pressure hose) | 1957-59 | 55.00 ea. |
| B8AZ-3A719-B | Power Steering Hose Pump to Valve: V-8 (pressure hose) | 1959 | 55.00 ea. |
| 7-1202 | Power Steering Return Hose - From pump to control valve | 1957-59 | 45.00 ea. |
| C1AZ-3A764-A | Power Steering Cylinder Kit - Passenger | 1957-64 | 46.00 ea. |
| RCV | Rebuilt control valve assembly (unit requires exchange for purchase) | 1957-59 | 200.00 ea. |
| RSS | Rebuilt slave cylinder assembly (unit requires exchange for purchase) | 1957-59 | 200.00 ea. |
| RB-PUMP | Rebuilt power steering pump assembly (unit requires exchange for purchase) | 1957-59 | 185.00 ea. |

REBUILT STEERING GEAR BOX ASSEMBLIES

| | | | |
|-------------|---------------------------------|---------|--|
| B8A-3575-RB | Rebuilt steering box assemblies | 1957-59 | (exchange) 550.00 ea. (outright) 600.00 ea. |
|-------------|---------------------------------|---------|--|

STEERING COLUMN BRACKET COVER DASH INSULATOR

| | | | |
|------------|--|------|----------|
| B7A-3683-A | Steering Bracket Cover to Dash Insulator | 1957 | 8.00 ea. |
|------------|--|------|----------|

KEY BLANKS

| | | | |
|-----------|--------------------------------------|---------|----------|
| BA-3685-A | Key Blanks - Genuine Ford - Ignition | 1952-64 | 2.50 ea. |
| BA-3685-B | Key Blanks - Genuine Ford - Trunk | 1952-64 | 2.50 ea. |

REAR AXLE PARTS

| | | | |
|-------------|---|---------|------------|
| B7A-4035 | Differential Housing Gasket | 1957-60 | 5.00 ea. |
| B8AZ-4209-C | Differential Ring Gear & Pinion Set - 9" Ring Gear - 3.25 Ratio | 1957-72 | 322.00 set |
| B7A-4221-A | Differential Carrier Bearings - 1 5/8" I.D. - Stamped LM-501347 for differentials with medium carrier bearings | 1957-59 | 12.00 ea. |
| B7A-4222-A | Differential Carrier Bearings Race - 2 57/64" O.D. - Stamped LM-501310 | 1957-59 | 6.00 ea. |
| B7A-4221-C | Rear End Ring Gear & Pinion Set - 9" Ring Gear - 3.25 Ratio | 1957-72 | 322.00 set |
| B7A-4676-A | Drive Pinion Seal - 1-13/16" x 4-1/8" | 1957 | 40.00 ea. |
| B8A-4676-B | Drive Pinion Seal - 3" | 1959-59 | 20.00 ea. |

BATTERY HOLD DOWNS & NUTS

| | | | |
|-------------|--|---------|-----------|
| B7A-5175-S | Battery Hold Down Clamp Kit - Kit includes: Two each; nuts, rubber washers, metal washers & bolts | 1957-58 | 8.00 kit |
| B7A-10718-A | Battery Hold Down Bracket - Fits 5-5/8" x 12-5/8" Battery | 1956-58 | 24.00 ea. |
| B7A-10718-R | Battery Hold Down - exactly like original - correct for 29N Battery | 1957-58 | 29.00 ea. |
| B7A-10720 | Heater Hose Bracket on Rear of Battery Tray Bolt | 1957-58 | 17.50 ea. |



STABILIZER BAR REPAIR KITS

| | | | |
|-------------|--|---------|-----------|
| B7A-5493-A | Stabilizer to Frame Bushings - Four piece kit Fits: All Except Sedan Delivery, Wagon, Retractable & Ranchero | 1957-58 | 30.00 ea. |
| B7A-5493-B | Stabilizer to Frame Bushings - Four piece kit Fits: Sedan Delivery, Wagon, Retractable & Ranchero Only | 1957-58 | 30.00 ea. |
| B9A-5493-A | Stabilizer to Frame Bushings - Set of Two Fits: All Except Station Wagon, Retractable & Ranchero | 1959 | 15.00 pr. |
| B9A-5493-B | Stabilizer to Frame Bushings - Set of Two Fits: All Except Station Wagon, Retractable & Ranchero | 1959 | 15.00 pr. |
| B7A-5475-AK | Front Stabilizer Bar Bushing & Bracket Kit - Kit includes: Two each of #5492 & #5476, Four each #5493 & attaching parts Fits: All Except Station Wagon, Sedan Delivery, Retractable & Ranchero | 1957-58 | 90.00 kit |
| B7A-5475-BK | Front Stabilizer Bar Bushing & Bracket Kit - Kit includes: Two each of #5492 & #5476, Four each #5493 & attaching parts Fits: Station Wagon, Sedan Delivery, Retractable & Ranchero | 1957-58 | 90.00 kit |

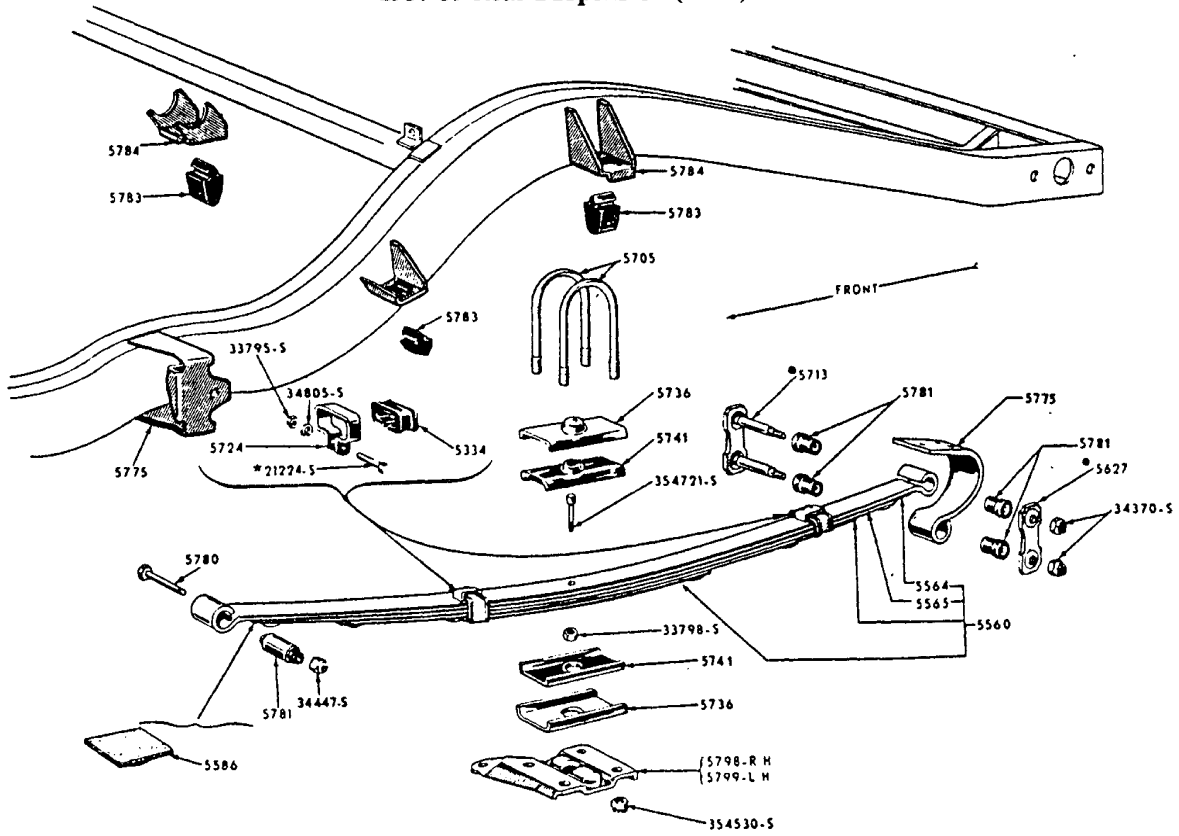


For 1957-59 Fords

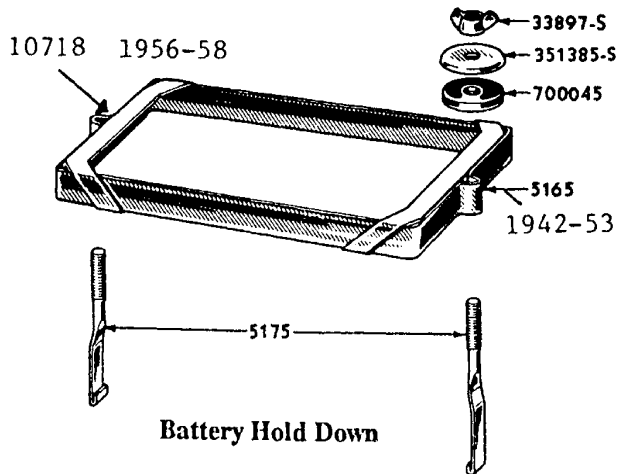
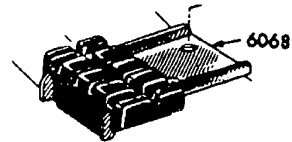
| | | | |
|-----------------|--|---------|------------|
| B7A-2654228-Kit | 1 1/8" Performance Sway Bar Package - includes front & rear bars <ul style="list-style-type: none"> • Uses a large 1 5/16" diameter bar, to give your car superior handling stability. • Sway Bar looks factory, when installed. • Reduces body roll. • All bushings furnished in this kit are poly bushings. | 1957-59 | 475.00 kit |
|-----------------|--|---------|------------|

REAR SUSPENSION

1957-59 Rear Suspension (Ford)

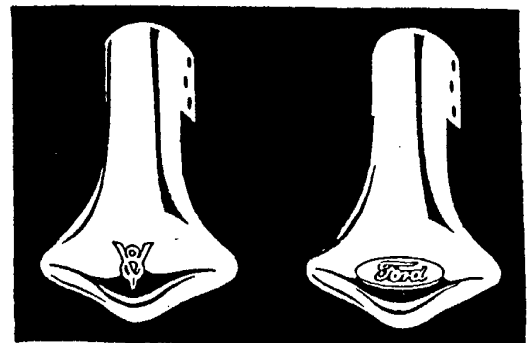


Motor Mounts



Battery Hold Down

Exhaust Deflectors



Base numbers only shown on illustration. Order by part Numbers shown in list of parts.



EXHAUST PARTS

| | | | |
|--------------|--|---------|-------------|
| B5A-5259-E | Rear Muffler Hanger | 1952-59 | 30.00 ea. |
| B7A-5230-N63 | Muffler - Replacement - All 6 cyl. except convertible | 1957 | 80.00 ea. |
| B7A-5230-M62 | Muffler - Replacement - All except 6 cylinder, Convertible Retractable & Hardtops | 1957 | 80.00 ea. |
| B7A-5230-L6H | Muffler - Replacement - Convertible, Retractable & Hardtops | 1957 | 95.00 ea. |
| B-6001 | Exhaust Manifold & Pipe Gloss Black Paint Sold in quarts - Guaranteed not to burn off | | 18.50 ea. |
| 51A-18529-A | Exhaust - Ford Script - Stainless Steel | ALL | 16.00 ea. |
| 51A-18529-B | Exhaust - Deflector - V8 - Stainless Steel | ALL | 16.00 ea. |
| 51A-18529-P | Exhaust - Deflector - Plain - Stainless Steel | ALL | 16.00 ea. |
| B7A-18529-A | Exhaust - Deflector for Delta Wing | 1957 | 175.00 pr. |
| B9A-18529-A | Exhaust - Deflector for Delta Wing "Oval Type" - Original | 1958-59 | 185.00 ea. |
| SS5759 | Pre-Bent Stainless Steel Exhaust System with mufflers - all models | 1957-59 | 1299.00 ea. |
| AL5759 | Pre-Bent Aluminum Exhaust System with mufflers - all models | 1957-59 | 750.00 ea. |

HEADERS

The below headers fit all 312-292 Y-blocks

B7A-573120-PR



Passenger 2" main tube **\$310.00 pr**

Non-flanged

(\$250.00 pr additional for metallic ceramic coating)

B7A-573125-PR



Passenger dual tube, **flanged \$395.00 pr**

Our best flowing non-fenderwell

passenger header

(\$290.00 additional for metallic ceramic coating)



REAR SPRING SHACKLE PARTS

| | | | |
|------------|--|---------|-----------|
| B8A-5586-A | Rear Spring Anti-Squeak Pads - Need 12 | 1957-59 | 1.00 ea. |
| B7A-5630-C | Front of Rear Spring Shackle Kit - Kit does one spring | 1957-59 | 15.00 kit |
| APA-5631 | Rear of Rear Spring Shackle Bar Bolt & Bushing - Does one side only | 1951-59 | 13.00 kit |
| 8A-5719 | Rear Spring Rubber Bushings | 1949-59 | 1.50 ea. |
| 8A-5334-S | Rear Spring Clamp Liner - Rubber - Set of six - Need 12 | 1949-59 | 8.00 set |
| B7A-5783 | Bumper for Rear Spring & Axle - Five per car (one in center & two on each side) | 1957-59 | 5.00 ea. |
| B7A-5705-A | Rear Spring & Axle - U-Blt - Four per car | 1957-59 | 7.50 ea. |

MOTOR MOUNTS

| | | | |
|------------|---|---------|-----------|
| B7A-6038-A | Front Motor Mount - 6 cylinder - Need two per car | 1954-58 | 15.00 ea. |
| B7A-6038-B | Front Motor Mount - 8 cylinder - Need two per car | 1954-58 | 25.00 ea. |
| B8A-6038-B | Front Motor Mount - 8 cylinder - Need two per car | 1959 | 22.00 ea. |
| B7A-6068-A | Rear Motor Mount - 8 cylinder | 1957-60 | 12.50 ea. |
| B9A-6038-A | Rear Motor Mount - 6 cylinder 223 | 1957-59 | 15.00 ea. |

ENGINE PARTS

| | | | |
|---|--|---------|--|
| Rebuilt Short Block Assembly - 8 cyl. 292 | | 1955-62 | outright 2300.00 ea. exchange 2000.00 ea. |
| Consists of: block, pistons, rings, rods, crankshaft & bearings, camshaft & bearings, lifters, timing chain & gears. | | | |

EXCHANGE MUST BE REBUILDABLE

We will rebuild or exchange your old engine. Write or call for more information.

| | | | |
|----------------|--|--------------------|----------------------|
| C20Z-6A008-A | Cylinder Head to Cylinder Block Dowel Set - set of 4 - 8 cyl. 272, 292, 312 | 1955-59 | 5.00 set |
| C3TZ-6049-G | Cylinder Head - Replacement - 8 cyl. 272, 292, 312 New Genuine Ford must use COME-6507-N intake valves with this head | 1955-62 | 100.00 ea. |
| B5A-6108-STD | Pistons - Standard 3.7503 - 8 cyl. 292 | 1955-62 | 125.00 set |
| B5A-6108-020 | Pistons - .020 O/S - 8 cyl. 292 | 1955-62 | 125.00 set |
| B5A-6108-030 | Pistons - .030 O/S - 8 cyl. 292 | 1955-62 | 125.00 set |
| B5A-6108-040 | Pistons - .040 O/S - 8 cyl. 292 | 1955-62 | 125.00 set |
| B5A-6108-060 | Pistons - .060 O/S - 8 cyl. 292 | 1955-62 | 125.00 set |
| B5AZ-6148-STD | Piston Rings - Standard - 8 cyl. 292 | 1955-62 | 40.00 set |
| B5AZ-6148-020 | Piston Rings - .020 O/S - 8 cyl. 292 | 1955-62 | 40.00 set |
| B5AZ-6148-030 | Piston Rings - .030 O/S - 8 cyl. 292 | 1955-62 | 40.00 set |
| B5AZ-6148-040 | Piston Rings - .040 O/S - 8 cyl. 292 | 1955-62 | 40.00 set |
| B5AZ-6148-060 | Piston Rings - .060 O/S - 8 cyl. 292 | 1955-62 | 40.00 set |
| EAA-6207-A | Connecting Rod Bushing - 6 cyl. 223 8 cyl. 272, 292 | 1954-64 1955-62 | 2.00 ea. 2.00 ea. |
| B5T-6211-STD A | Rod Bearings - Standard .06095"-.06145" - 8 cyl. 272, 292, 312 | 1955-62 | 50.00 set |
| B5T-6211-STD B | Rod Bearings - Standard .06135"-.06185" - 8 cyl. 272, 292, 312 | 1955-62 | 50.00 set |
| B5T-6211-101 | Rod Bearings - .010 S/S - 8 cyl. 272, 292, 312 | 1955-62 | 50.00 set |
| B5T-6211-020 | Rod Bearings - .020 U/S - 8 cyl. 272, 292, 312 | 1955-62 | 50.00 set |
| B5T-6211-030 | Rod Bearings - .030 U/S - 8 cyl. 272, 292, 312 | 1955-62 | 50.00 set |
| B4AE-6211-040 | Rod Bearings - .040 U/S - 8 cyl. 272, 292, 312 | 1955-62 | 50.00 set |
| C6AZ-6211-030 | Rod Bearings - .030 S/S - 8 cyl. 332, 352 | 1958-59 | 50.00 set |
| B8A-6250-C | Camshaft Assembly - 8 cyl. 272, 292, 312 | 1956-62 | 80.00 set |
| C3TZ-6A251-A | Camshaft Bearing Set - Standard - 8 cyl. 272, 292, 312 | 1955-62 | 32.50 set |



ENGINE PARTS Cont.

| | | | |
|---------------|--|--------------------|------------------------|
| EAA-6256 | Camshaft Timing Gear - 6 cyl. 223 8 cyl. 272, 292, 312 | 1954-64 1955-62 | 30.00 ea. 30.00 ea. |
| EAA-6268 | Timing Chain - 6 cyl. 223 8 cyl. 272, 292, 312 | 1954-64 1955-62 | 28.00 ea. 28.00 ea. |
| EAA-6269-A | Camshaft Thrust Plate - 6 cyl. 223 8 cyl. 272, 292, 312 | 1954-64 1955-62 | 10.00 ea. 10.00 ea. |
| C1AE-6287-A | Camshaft Fuel Pump Drive Eccentric - 8 cyl. 272, 292, 312 | 1955-62 | 10.00 ea. |
| B8A-6306-B | Crankshaft Timing Gear - 6 cyl. 223 8 cyl. 272, 292, 312 | 1954-64 1955-62 | 10.00 ea. 10.00 ea. |
| 74175-S | Crankshaft Gear Woodruff - 6 cyl. 223 8 cyl. 272, 292, 312 | 1954-64 1955-62 | .75 ea. .75 ea. |
| B8A-61310-A | Crankshaft Oil Slinger - 8 cyl. 332, 352 | 1958-59 | 5.00 ea. |
| EBV-6330-STDD | Main Bearings - Standard .0957 - 8 cyl. 272, 292 | 1955-62 | 75.00 set |
| EBV-6330-STDE | Main Bearings - Standard .0961 - 8 cyl. 272, 292 | 1955-62 | 75.00 set |
| EBV-6330-010 | Main Bearings - .010 U/S - 8 cyl. 272, 292 | 1955-62 | 75.00 set |
| EBV-6330-020 | Main Bearings - .020 U/S - 8 cyl. 272, 292 | 1955-62 | 75.00 set |
| EBV-6330-030 | Main Bearings - .030 U/S - 8 cyl. 272, 292 | 1955-62 | 75.00 set |
| B4AE-6330-040 | Main Bearings - .040 U/S - 8 cyl. 272, 292 | 1955-62 | 75.00 set |
| B4AZ-6375-B | Flywheel and Ring Gear Assembly - 11" clutch - 6 cyl. 223 8 cyl. 272, 292, 312 | 1954-64 1955-62 | 50.00 ea. 50.00 ea. |
| EAA-6384-A | Flywheel Ring Gear - 146 teeth - 6 cyl. 223 8 cyl. 272, 292, 312 | 1954-64 1955-62 | 20.00 ea. 20.00 ea. |
| C2AZ-6436-A | Starter to Flywheel Housing Rubber Seal - 8 cyl. 272, 292, 312, 332, 352 | 1955-62 | 8.00 ea. |
| B8C-6500-A | Valve Tappet - Mechanical - 6 cyl. 223 8 cyl. 272, 292, 312 | 1954-64 1955-62 | 10.00 ea. 10.00 ea. |
| C3AZ-6505-A | Exhaust Valve - length 5.02" - head dia. 1.52" - stem size STD, stem dia. .3402" | | 12.00 ea. |
| C3AZ-6505-B | Exhaust Valve - length 5.02" - head dia. 1.52" - stem size .003", stem dia. .3432" | | 12.00 ea. |
| C3AZ-6505-C | Exhaust Valve - length 5.02" - head dia. 1.52" - stem size .015", stem dia. .3552" | | 12.00 ea. |
| C3AZ-6505-D | Exhaust Valve - length 5.02" - head dia. 1.52" - stem size .030", stem dia. .3702" | | |
| | 6 cyl. 223 | 1954-64 | 12.00 ea. |
| | 8 cyl. 272, 292, 312 | 1955-62 | 15.00 ea. |
| C0AE-6507-J | Intake Valve - length 5.02" - head dia. 1.79" - stem size STD, stem dia. .3402" | | |
| | 6 cyl. 223 | 1954-64 | 15.00 ea. |
| B7A-6507-AA | Intake Valve - length 5.02" - head dia. 1.92" - stem size STD, stem dia. .3420" | | |
| | 8 cyl. 272, 292, 312 | 1957-59 | 10.00 ea. |
| COME-6507-N | Intake Valve - length 5.02" - head dia. 1.65" - stem size STD, stem dia. .3402" | | |
| | used with C3TZ-6049-G replacement cylinder head | | |
| | 8 cyl. 292 | 1960-62 | 17.50 ea. |
| B6A-6513 | Valve Spring - 6 cyl. 223 8 cyl. 272, 292, 312 | 1960-62 1955-62 | .75 ea. .75 ea. |
| B8A-6513-C | Valve Spring - 8 cyl. 332, 352 | 1958-64 | 4.00 ea. |
| 7HA-6518 | Valve Keepers - 6 cyl. 223 8 cyl. 272, 292, 312 | 1954-64 1955-62 | 1.00 pr. 1.00 pr. |
| C2AZ-6531-B | Rocker Arm Shaft Support - 8 cyl. 332, 352, 390 | 1958-64 | 12.50 ea. |



ENGINE PARTS Cont..

| | | | |
|-------------|---|---------|-----------|
| B6A-6549-C | Rocker Arm Adjust Screw - 7/16" x 20" x 1.40" long - 6 cyl. 223 | 1958-64 | 2.50 ea. |
| | 8 cyl. 272, 292, 312 | 1955-62 | 2.50 ea. |
| | 8 cyl. 332, 352, 390 | 1958-64 | 2.50 ea. |
| C2AZ-6549-A | Rocker Arm Adjusting Screw .0023" O.S. - 7/16" x 20" x 1.40" long | | |
| | 6 cyl. 223 | 1956-64 | 3.00 ea. |
| | 8 cyl. 272, 292, 312 | 1955-62 | 3.00 ea. |
| | 8 cyl. 332, 352, 390 | 1958-64 | 3.00 ea. |
| B4AZ-6563-A | Rocker Arm Shaft - 8 cyl. 272, 292, 312 | 1955-62 | 20.00 ea. |
| B8AZ-6563-D | Rocker Arm Shaft - 8 cyl. 332, 352, 390 | 1958-64 | 25.00 ea. |
| B6A-6564-G | Rocker Arm - 6 cyl. 223 | 1954-64 | 5.00 ea. |
| B8AZ-6564-C | Rocker Arm (Hydraulic Tappets) - 8 cyl. 332, 352, 390 | 1958-64 | 10.00 ea. |
| C0AZ-6564-A | Rocker Arm - 8 cyl. 272, 292, 312 | 1955-62 | 15.00 ea. |
| EAA-6565-C | Push Rod - 9 43/64" long - 6 cyl. 223 | 1954-64 | 4.00 ea. |
| C0AE-6565-D | Push Rod - 8.19" long - 8 cyl. 272, 292, 312 | 1956-62 | 4.00 ea. |
| C8AZ-6565-A | Push Rod - .030" U/S - (hydraulic) - 8 cyl. 332, 352, 390 | 1958-64 | 4.00 ea. |
| C1TE-6571-C | Valve Guide and Valve Stem Seal - 6 cyl. 223 | 1954-64 | 2.00 ea. |
| | 8 cyl. 272, 292, 312 | 1955-62 | 2.00 ea. |

EXHAUST MANIFOLDS

| | | | |
|------------|------------------------------------|---------|------------|
| B8A-94308 | Big Block (FE) Exhaust Manifold-RH | 1958-59 | 275.00 ea. |
| B8A-9431-A | Big Block (FE) Exhaust Manifold-LH | 1958-59 | 275.00 ea. |

TRANSMISSION REBUILD KITS

| | | | |
|---------|--|---------|------------|
| F102S-1 | FORD C.I. Small Case Transmission Rebuild Kit includes clutches, plates, and all seals — case measures 9 7/8. | 1951-67 | 180.00 ea. |
| F102M-1 | FORD C.I. Medium Case Med. Case Rebuilt Kit includes clutches, plates, and all seals — case measures 10 1/2. | 1955-72 | 175.00 ea. |
| FM102-1 | FORD C.I. Aluminum 2 Speed Transmission Rebuilt Kit includes clutches, plates, and all seals — case measures 9 7/8. Bell housing and tail shaft are made on the transmission and are non-removable. | 1959-64 | 255.00 ea. |



ENGINE GASKETS

| | | | |
|---------------|--|---------|------------|
| B2A-6008-A | Overhaul Gasket Set - 6 cyl. 223 | 1954-64 | 115.00 set |
| B6A-6008 | Overhaul Gasket Set - 8 cyl. 272, 292, 312 | 1956-62 | 80.00 set |
| EBP-6020-SET | Front Timing Cover Gasket & Seal Kit - 6 cyl. 223 | 1954-64 | 12.50 kit |
| B4AZ-6020-SET | Front Timing Cover Gasket & Seal Kit - 8 cyl. 272, 292, 312 | 1955-62 | 20.00 kit |
| B6A-6051-B | Cylinder Head Gasket - Steel - 8 cyl. 272, 292, 312 | 1956-62 | 15.00 ea. |
| C3TZ-6051-G | Cylinder Head Gasket - Asbestos & Steel - 8 cyl. 272, 292, 312 | 1956-62 | 15.00 ea. |
| B7AZ-6079-D | Valve Grind Gasket Set - 8 cyl. 272, 292, 312 | 1956-62 | 40.00 set |
| B2AZ-6A506-A | Rocker Arm Cover Gasket Set - 6 cyl. 223 | 1954-64 | 10.00 set |
| B4AZ-6A506-A | Rocker Arm Cover Gasket Set - 8 cyl. 272, 292, 312 | 1955-62 | 12.50 set |
| D0AZ-6584-C | Rocker Arm Cover Gasket Set - 8 cyl. 332, 352 | 1958-59 | 10.00 set |
| C0AE-6710-A | Oil Pan Gasket Set - 6 cyl. 223 | 1954-64 | 12.00 set |
| C0AZ-6710-B | Oil Pan Gasket Set - 8 cyl. 272, 292, 312 | 1955-62 | 20.00 set |
| C0AE-6710-C | Oil Pan Gasket Set - 8 cyl. 332, 352 | 1958-59 | 20.00 set |
| B7AZ-9433-A | Intake Manifold Gasket Set - 8 cyl. 272, 292, 312 | 1955-62 | 10.00 set |
| B5A-9492-S | Exhaust Manifold Gasket Set - 8 cyl. 239, 256, 272, 292, 312 | 1954-64 | 16.00 set |

CRANKCASE BREATHER

| | | | |
|--------------|--|---------|----------|
| B2TZ-6A631-A | Crankshaft Breather Screen 239, 272, 292, 312 - 8 cylinder | 1954-56 | 7.00 ea. |
|--------------|--|---------|----------|

OIL FILTER & CONVERSION KITS

| | | | |
|-------------|---|--------------------|------------------------|
| B2A-6731-A | Oil Filter Element & Conversion Kit for original canister type - 8 cylinder | 1954-58 | 9.50 ea. |
| C2AZ-6731-B | Special Oil Filter Assembly with check valve T115A Fits: all engines originally equipped with disposable one piece type filter & all 1952-up 6 cylinder & 1954-up 8 cylinder when B7A-6882-A Oil Filter Conversion Kit is used | | 9.00 ea. |
| B7A-6882-A | Oil Filter Conversion Kit - 6 cylinder To be used when changing from canister type to spin-on oil filter | 1952-59 1954-58 | 25.00 ea. 30.00 ea. |
| D9AZ-6371-A | 8 cylinder - Does not include oil filter Spin-On type Oil Filter for Above Kit | | 7.00 ea. |

OIL PUMPS

| | | | |
|-------------|---------------------------------------|---------|------------|
| COAE-6600-D | Oil Pump Assembly - 272, 292, 312 New | 1955-64 | 160.00 ea. |
| COME-6600 | Oil Pump Assembly - 332, 352, 390 New | 1958-60 | 50.00 ea. |
| 41A-66623 | Oil Pump Pick-Up Tube Screen | 1964 | 8.00 ea. |

OIL FILLER CAPS

| | | | |
|-------------|--|---------|-----------|
| EAD-6766-B | Oil Filler Cap - 223, 292, 312 - 8 cylinder | 1955-62 | 10.00 ea. |
| B6A-6766-A | Oil Filler Cap - Black - V8 | 1957-59 | 25.00 ea. |
| COAZ-6766-A | Oil Filler Cap - Replacement - Black - 6 cyl. - 223 | 1954-64 | 5.00 ea. |
| COAZ-6766-C | Oil Filler Cap - Replacement - Chrome - 6 cyl. - 223 | 1954-64 | 8.00 ea. |
| COAZ-6766-E | Oil Filler Cap - Replacement - Black - 8 cyl. - 239, 272, 292, 312, 332, 352, 390 | 1954-67 | 5.00 ea. |
| C25Z-6766-A | Oil Filler Cap - Replacement - Chrome - 8 cyl. - 239, 272, 292, 312, 332, 352, 390 | 1954-67 | 8.00 ea. |

OVERDRIVE KICK-DOWN SWITCH

| | | | |
|-----------|----------------------------|---------|-----------|
| 8A-6918-B | Overdrive Kick-Down Switch | 1949-59 | 16.50 ea. |
|-----------|----------------------------|---------|-----------|

DIPSTICK

| | | | |
|--------------|------------------------------------|---------|-----------|
| B5AZ-7A020-A | Ford-o-matic Transmission Dipstick | 1955-58 | 30.00 ea. |
|--------------|------------------------------------|---------|-----------|

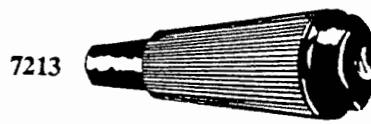


GEAR SHIFT LEVER PARTS

| | | | |
|------------|--|---------|----------|
| B7A-7213-B | Gear Shift Knob - Black | 1957 | 6.00 ea. |
| B8A-7213-W | Gear Shift Knob - White | 1958-59 | 6.00 ea. |
| 01A-7246-B | Gear Shift Insulator - For Straight Drive - Rubber | 1940-59 | 8.00 ea. |
| 1M-7246-A | Gear Shift Lever Insulator for Automatic Transmission Only | 1951-60 | 8.00 ea. |

GEAR SHIFT LEVER KNOB

Gear Shift Lever Knob



SERVICE TIP

Automatic Transmission Fluid

Your Classic Fords calls for suffix "A" transmission fluid, which is no longer available.

The replacement for suffix "A" is Dexron II or Motorcraft Mercon part no. XT-2QDX (E4AZ-19582-B).



Base numbers only shown on illustration. Order by part Numbers shown in list of parts.



CLUTCH PARTS

| | | | |
|------------|-----------------------------------|---------|----------|
| 01A-7517 | Clutch Shaft Ball Socket Bushings | 1952-59 | 5.00 pr. |
| 01A-7539-A | Clutch Release Shaft Washer Seal | 1952-59 | .50 ea. |
| 01A-7545 | Clutch Release Shaft Spring | 1952-59 | 1.50 ea. |
| B7A-7527-A | Clutch Pedal Rod to Firewall Seal | 1957-59 | 1.00 ea. |
| MA-7583-A | Clutch and Brake Pedal Bumper | 1957-59 | 2.00 ea. |

CLUTCH DISC

| | | | |
|------------|--|---------|-----------|
| 8BA-7550-A | Clutch Disc - Rebuilt - Ford - 6 cyl. 9-1/2" | 1949-57 | 50.00 ea. |
| B8A-7550-N | Clutch Disc - Rebuilt - V-8 11" | 1956-57 | 50.00 ea. |

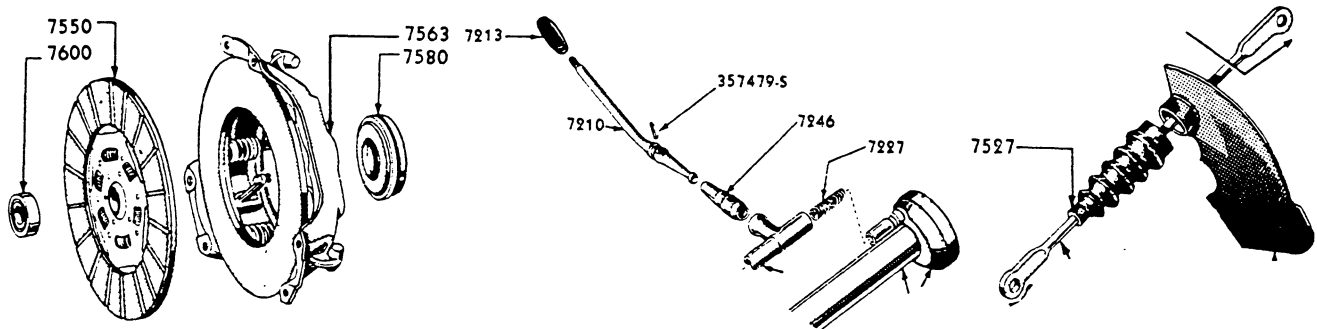
NOTE: CORE CREDIT - 10.00 ON DISC IF IDENTICAL TO DISC PURCHASED

CLUTCH PRESSURE PLATES

| | | | |
|------------|--|---------|------------|
| IA-75673 | Clutch Pressure Plate - 6 cylinder 9-1/2" | 1949-59 | 80.00 ea. |
| 19A-7563 | Clutch Pressure Plate - ALL 10" | 1954-59 | 100.00 ea. |
| B7S-7563 | Clutch Pressure Plate - ALL 11" | 1954-59 | 100.00 ea. |
| 8A-7580-A | Clutch Release Bearing | 1949-59 | 27.50 ea. |
| B-7600 | Clutch Pilot Bearing - Ball Bearing | 1949-59 | 11.00 ea. |
| 8A-7153-A | Transmission Overhaul Gasket Set for Standard | 1949-59 | 8.50 set |
| IP-7950-E | Starter Ring Gear for Ford-o-matic Transmission - 6 cyl. | 1955-65 | 30.00 ea. |
| B5A-7950-A | Starter Ring Gear for Ford-o-matic Transmission - 8 cyl. | 1955-57 | 30.00 ea. |

NOTE: CORE CREDIT - 12.00 ON DISC IF IDENTICAL TO DISC PURCHASED

CLUTCH PARTS



Base numbers only shown on illustration. Order by part Numbers shown in list of parts.



RADIATOR CAPS

| | | | |
|------------|---|---------|-----------|
| B5A-8100-R | Radiator Cap | 1955-59 | 10.00 ea. |
| B8A-8100-A | Radiator Cap - Zinc - Original | 1957-59 | 25.00 ea. |
| 8A-8115 | Radiator Drainlock - 1/4" pipe thread with tubing extension | 1949-59 | 5.00 ea. |

RADIATOR AREA

| | | | |
|------------|--|---------|----------|
| B7A-8125-A | Radiator Support to Frame Pad - Two per car (One upper & one lower) | 1957-58 | 2.00 pr. |
|------------|--|---------|----------|

THERMOSTAT HOUSING

| | | | |
|-------------|--|---------|-----------|
| B5A-8255-A | Thermostat Housing Gasket - V8 | 1954-57 | 3.00 ea. |
| D1PZ-8255-A | Thermostat Housing Gasket - 8 cyl. 332, 532, 390 | 1958-64 | 1.50 ea. |
| B5A-8592-A | Thermostat Housing - 8 cyl. 272, 292, 312 | 1955-59 | 40.00 ea. |

WATER PUMPS - NEW

| | | | |
|-------------|---------------------------------------|---------|------------|
| B6A-8501-BN | Water Pump - New - 272, 292, 312 - V8 | 1955-62 | 130.00 ea. |
|-------------|---------------------------------------|---------|------------|

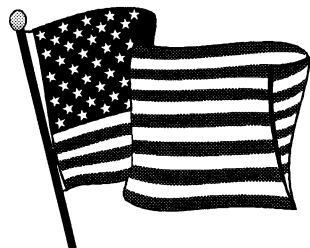
WATER PUMPS - REBUILT

| | | | |
|-------------|---|---------|-----------|
| B6A-8501-BR | Water Pump - Rebuilt - 277, 292, 312 - V8 | 1955-62 | 80.00 ea. |
| B7A-8501-AR | Water Pump - Rebuilt - 223 - 6 cylinder | 1957-64 | 49.00 ea. |
| B9AZ-8501-R | Water Pump - Rebuilt - 332, 352 | 1958-60 | 85.00 ea. |

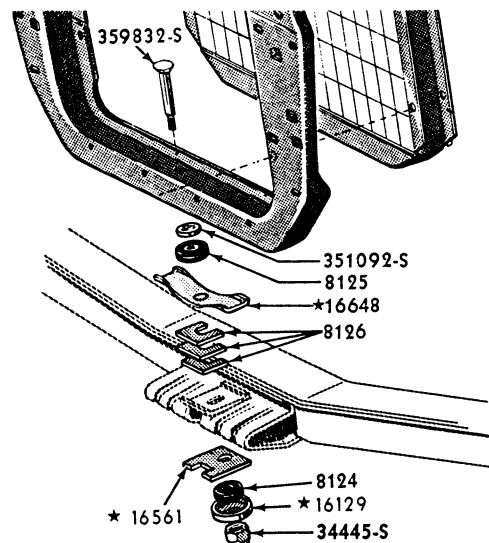
THERMOSTATS

| | | | |
|-------------|---|---------|-----------|
| C2AZ-8575-A | Thermostat -180' - 6 cylinder | 1952-64 | 10.00 ea. |
| C2AZ-8575-A | Thermostat -180' - V8 | 1954-67 | 10.00 ea. |
| C2AZ-8575-B | Thermostat -160' - 6 cylinder | 1952-64 | 10.00 ea. |
| C2AZ-8575-B | Thermostat -160' - V8 | 1954-67 | 10.00 ea. |
| B8A-4367-B | Balanced Thermostat -180'. Proven to lower water temp by 15'. | 1957-59 | 35.00 ea. |

RADIATOR AREA



BUY AMERICAN



Base numbers only shown on illustration. Order by part Numbers shown in list of parts.





FAN BELTS

| | | | |
|-------------|---|---------|-----------|
| C2AZ-8620-C | Belt for Fan & Generator - V8 | 1957 | 18.00 ea. |
| B7A-8620-A | Belt for Fan & Generator - 6 cylinder | 1957-59 | 15.00 ea. |
| C2AZ-8620-C | Belt for Fan & Generator - 292 - V8 | 1958-59 | 18.00 ea. |
| EDC-8620-A | Belt for Fan & Generator - 332, 352 - V-8 | 1958-59 | 18.00 ea. |

RADIATOR HOSES

The Radiator Hoses Listed Below Are Cut To Length & Molded

| | | | |
|------------|--|---------|-----------|
| AB-8260-A | Radiator Hose - Upper - 6 cylinder | 1952-58 | 18.00 ea. |
| B7A-8260-A | Radiator Hose - Upper - 292 - 312 - V8 | 1957-59 | 25.00 ea. |
| B9A-8260 | Radiator Hose - Upper - 6 cylinder | 1959 | 20.00 ea. |
| B9A-8260-A | Radiator Hose - Upper - 332 - 352 - V8 | 1958-59 | 25.00 ea. |
| B9A-8286-A | Radiator Hose - Lower - 6 cylinder | 1957-59 | 20.00 ea. |
| B9A-8286-B | Radiator Hose - Lower - V8 | 1957-59 | 20.00 ea. |
| B9A-8266-C | Radiator Hose - Lower - 332, 352 - V8 | 1959 | 20.00 ea. |

RADIATOR HOSE CLAMPS

Original Type

| | | | |
|-------------|---|---------|----------|
| AB-8287 | Radiator Hose Clamp - Upper - 6 cylinder | 1952-59 | 1.50 ea. |
| AB-8287 | Radiator Hose Clamp - Upper - V8 | 1954-59 | 1.50 ea. |
| B-8287 | Radiator Hose Clamp - Lower - 6 cylinder | 1952-59 | 1.50 ea. |
| B4A-8287 | Radiator Hose Clamp - Lower - V8 | 1954-59 | 1.50 ea. |
| 8A-8287 | Radiator Hose Clamp - Post or Tower Type - 2-1/4" | | 2.00 ea. |
| B7A-8287-A | Radiator Hose Clamp - Post or Tower Type - 1-2/16" | | 2.00 ea. |
| B7A-8287-B | Radiator Hose Clamp - Post or Tower Type - 1-15/16" | | 2.00 ea. |
| B7AZ-8287-C | Radiator Hose Clamp - Post or Tower Type - 1-11/16" | | 2.00 ea. |

NEW RADIATORS & ACCESSORIES

| | | | |
|-------------|--|----------|------------|
| B7A-1618-A | Six blade steel fan. Just like the original fan, but with six blades! | 1957-59 | 70.00 ea. |
| B7A-5876-C | Fan Shroud - 2 Piece ABS Plastic | 1957-59 | 178.00 ea. |
| B7A-8005-AL | Two row aluminum radiation - 1-1/2 jackets, fits 1957 and 1959 only. | 1957, 59 | 485.00 ea. |
| B7A-8005-HD | Four core heavy duty radiator. A MUST HAVE FOR HEATING PROBLEMS! Just like new. Fits 1957 & 1959. This radiator can be made to fit a 1958 with minor alterations. | 1957-59 | 575.00 ea. |
| B7A-8000-FL | Six blade flex fan. Pushes three times the air of your stock fan. Great for cooling problems! | 1957-59 | 55.00 ea. |
| B8A-8257-F | Electric Fan - Mounts to front of radiator. Can be used with or without B8A-8222-C optional fan control. | 1957-59 | 109.00 ea. |
| B8A-8222-C | Fan Control Unit - optional for B8A-8257-F. Adjustable fan control with on/off temp settings. | 1957-59 | 65.00 ea. |

GAS TANK PARTS

| | | | |
|------------|---|---------|-----------|
| 8A-9030 | Gas Cap - Vented - Stainless Steel | 1952-59 | 10.00 ea. |
| OA-16377 | Gas Tank Filler Door Spring | | 12.00 ea. |
| | Fits: Station Wagon | 1957-58 | 12.00 ea. |
| | Fits: Sedan Delivery, Ranchero & Retractable | 1959 | 12.00 ea. |
| B5A-9050 | Fuel Tank Vent Tube Seal | 1955-59 | 2.25 ea. |
| | Fits: All Except Sedan Delivery, Wagon, & Retractable | | |
| B5A-9069-A | Fuel Tank Vent Pipe to Body Grommet | | |
| | Fits: All Except Retractable, Wagon & Ranchero | 1955-59 | 2.25 ea. |
| B7A-9080-A | Gas Neck Grommet - Fits: All Except Retractable & Wagon | 1957-58 | 10.00 ea. |
| B7A-9080-B | Gas Neck Grommet - Fits: Retractable Only | 1957-58 | 25.00 ea. |
| B9A-9080-A | Gas Neck Grommet - Fits: Retractable Only | 1959 | 25.00 ea. |



GAS TANK PARTS - *continued*

| | | | |
|-------------|--|---------|------------|
| BA-13398-B | Gas Tank Door to Body Bumpers Fits: All Except Retractable, Wagon & Ranchero | 1952-58 | 5.00 pr. |
| GTS-9000 | Gas Tank Slushing Compound - Sold in quarts | | 25.00 qt. |
| B9AF-9276-A | Gas Tank Sending Unit to Tank Gasket | 1957-59 | 1.00 ea. |
| 68-9275-S | Gas Tank Sending Unit Float - Special solid design by Stewart Warner | 1948-75 | 12.00 ea. |
| COAZ-9275-F | Gas Tank Float - Brass | 1956-75 | 6.00 ea. |
| B7A-9275-F | Gas Tank Sending Unit - 12 volt with float & gasket | 1957-59 | 50.00 ea. |
| B7A-9275-R | Retractable Gas Tank Sending Unit - 12 volt with float & gasket | 1957-59 | 90.00 ea. |
| B9AF-9276-A | Gas Tank Sending Unit to Tank Gasket | 1957-59 | 1.00 ea. |
| GTP-9001 | Gas Preservative & Stabilizer - Prevents gum & varnish formation when car is not run for a long period of time | | 19.00 qt. |
| B7A-9002-B | Gas Tank - 20 gal. Fits: All except Sedan Delivery, Station Wagon, Retractable & Ranchero | 1957-58 | 275.00 ea. |
| B9A-9002-A | Gas Tank - 20 gal. Fits: All except Station Wagon, Retractable & Ranchero | 1959 | 275.00 ea. |
| B8A-9002-A | Gas Tank - 20 Gallon - Steel - Rancheros, Wagon, & Sedan Delivery | | 450.00 ea. |
| B7A-9002-RT | Gas Tank - Retractable - Fits 1957-59 | 1957-59 | 275.00 ea. |
| B7A-5789-S | Retractable Gas Tank Straps (PR) | 1957-59 | 40.00 pr. |



FUEL PUMPS

| | | | |
|-----------|---|---------|------------|
| 4206-9350 | Optional Equipment Fuel & Vacuum - V8 | 1955-58 | 110.00 ea. |
| 4208-9350 | Standard Equipment - 6 cylinder | 1955-58 | 60.00 ea. |
| 4708-9350 | Optional Equipment Fuel & Vacuum - 6 cylinder | 1955-60 | 110.00 ea. |
| 6523-9350 | Standard Equipment - V8 | 1955-60 | 65.00 ea. |
| 1GA-9450 | Exhaust Manifold to Inlet Pipe Gasket - V8 & 6 cylinder | 1957-59 | 2.00 ea. |

OIL PRESSURE SENDING UNITS

| | | | |
|----------|---------------------------|---------|-----------|
| B6A-9278 | Oil Pressure Sending Unit | 1954-64 | 10.00 ea. |
|----------|---------------------------|---------|-----------|

FLEXIBLE FUEL LINES

| | | | |
|--------------|--|---------|-----------|
| 1A-9288-A | Flexible Fuel Lines - Main Line to Pump | 1951-59 | 9.00 ea. |
| 1A-9288-ANOS | Flexible Fuel Line - Main Line to Pump - NOS - Ford Script | 1951-59 | 17.50 ea. |

CARBURETOR REPAIR KITS

| | | | |
|-------------|---|---------|-----------|
| B2A-590-A | Carburetor Repair Kit - 215, 233 - 6 cylinder | 1952-57 | 30.00 ea. |
| B6A-9590-D | Carburetor Repair Kit - 4 Barrel Holley for 292, 312 | 1956-57 | 55.00 ea. |
| C20Z-9590 | Carburetor Repair Kit - 2 Barrel Ford Carb - 8 cylinder | 1958-74 | 19.50 ea. |
| B2A-9800 | Carburetor Dash Post - 6 & 8 cylinder | 1952-59 | 8.00 ea. |
| B7A-9601-C | Carburetor Air Cleaner Element - 7.18" I.D. x 9.43" O.D. x 3.47" high | 1958-74 | 17.50 ea. |
| C3VY-9601-E | Air Filter - 6 cylinder | 1958-62 | 10.00 ea. |
| B7SZ-9601-A | Air Filter - 292 or 312 | 1957 | 6.00 ea. |
| 358871-S | Air Cleaner Wing Nut - 1/4" x 20 threads | 1957-59 | 2.00 ea. |

"We Can Rebuild Your Carburetor." Starting at 150.00 All Types Done! Quick Turnaround!





DASH KNOBS - 1957

| | | | |
|---------------|---|--------------------------|-----------|
| B7A-11661-B | Headlight Switch Knob with Shaft | Black with Silver Insert | 10.00 ea. |
| B7A-7001890-B | Air Vent Knobs - Two per car | Black with Silver Insert | 7.00 ea. |
| B7A-17513-B | Windshield Wiper On/Off Switch Knob | Black with Silver Insert | 7.00 ea. |
| B7A-15052-B | Cigar Lighter Knob | Black with Silver Insert | 7.00 ea. |
| B7A-18513-A | Heater Blower Switch Knob | Black, No Insert | 6.00 ea. |
| B7A-18519-A | Heater Temperature & Regulator Control Knob - Two per car | Black, No Insert | 6.00 ea. |
| B7A-18805 | Radio Knobs - Two per car | Black, No Insert | 7.00 ea. |
| B7A-7023352-A | Window Crank Handle Knob | Black, No Insert | 6.00 ea. |
| B7A-7213-B | Gear Shift Knob | Black, No Insert | 6.00 ea. |
| B7A-13305-B | Turn Signal Lever Knob | Black, No Insert | 6.00 ea. |

DASH KNOBS - 1958

| | | | |
|---------------|---|------------------------|-----------|
| B8A-11661-A | Headlight Switch Knob with Shaft | White with Gold Insert | 10.00 ea. |
| B8A-7001890-A | Air Vent Knobs - Two per car | White with Gold Insert | 7.00 ea. |
| B8A-17513-A | Windshield Wiper On/Off Switch Knob | White with Gold Insert | 7.00 ea. |
| B8A-15052-A | Cigar Lighter Knob | White with Gold Insert | 7.00 ea. |
| B8A-18513-A | Heater Blower Switch Knob | White, No Insert | 6.00 ea. |
| B8A-18519-A | Heater Temperature & Regulator Control Knob - Two per car | White, No Insert | 6.00 ea. |
| B8A-18805 | Radio Knobs - Two per car | White with Gold Insert | 7.00 ea. |
| B8A-7022352-A | Window Crank Handle Knob | White, No Insert | 6.00 ea. |
| B8A-7213-W | Gear Shift Knob | White, No Insert | 6.00 ea. |
| B8A-13305-W | Turn Signal Lever Knob | White, No Insert | 6.00 ea. |

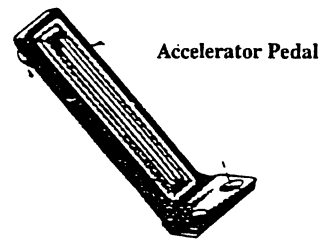
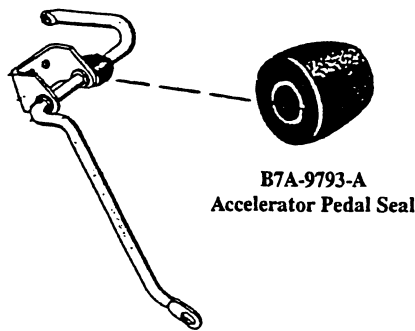
DASH KNOBS - 1959

| | | | |
|---------------|---|--------------------------|-----------|
| B9A-11661-A | Headlight Switch Knob with Shaft | White with Silver Insert | 10.00 ea. |
| B9A-6301890-A | Air Vent Knobs - Two per car | White with Silver Insert | 7.00 ea. |
| B9A-17513-A | Windshield Wiper On/Off Switch Knob | White with Silver Insert | 7.00 ea. |
| B9A-15052-A | Cigar Lighter Knob | White with Silver Insert | 7.00 ea. |
| B8A-18513-A | Heater Blower Switch Knob | White, No Insert | 6.00 ea. |
| B8A-18519-A | Heater Temperature & Regulator Control Knob - Two per car | White, No Insert | 6.00 ea. |
| B9A-18805 | Radio Knobs - Two per car | White with Silver Insert | 7.00 ea. |
| B8A-7023352-A | Window Crank Handle Knob | White, No Insert | 7.00 ea. |
| B8A-7213-W | Gear Shift Knob | White, No Insert | 6.00 ea. |
| B8A-13305-W | Turn Signal Lever Knob | White, No Insert | 6.00 ea. |

*We are here to serve you.
In order to serve you better, we would like to know of your particular needs.
Drop us a card.
Thank you for your continued patronage.
Jerry*

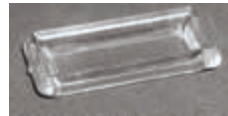
ACCELERATOR PEDAL

| | | | |
|------------|--|---------|-----------|
| B8A-9735 | Accelerator Pedal | 1957-59 | 15.00 ea. |
| B8A-9793-A | Accelerator Pedal Linkage to Firewall Seal | 1957-60 | 3.00 ea. |



INSTRUMENT FACE

| | | | |
|-----------------|---|------|-----------|
| B7A-10887-E | Instrument Cluster Face with Fuel, Temps, Speed | 1957 | 50.00 ea. |
| B7A-10896-B | Odometer Bezel | 1957 | 15.00 ea. |
| B7A-15805-A | Shift Indicator Dial - Automatic Trans - Plastic | 1957 | 12.50 ea. |
| B7A-10887-SET | Instrument Cluster Face, Odometer Bezel, and Shift Indicator Dial Includes: B7A-10887-E, B7A-10896-B, B7A-15805-A. Does not include Chrome Trim | 1957 | 70.00 ea. |
| B7AZ-10A936-SET | Instrument Warning Lens - Set of 5 (w/ generator, oil, (2) turn signal, high beam) | 1957 | 15.00 set |



GENERATORS

| | | | |
|---------------|---|---------|--|
| B6A-100002 | Generator - Rebuilt | 1956-64 | Outright 245.00 ea. Exchange 155.00 ea. |
| B7A-100051-A | Generator to alternator conversion kit. Includes alternator, pulley, and wiring. Fits: 312-292 engines | 1957-59 | 230.00 ea. |
| B9A-100052-B | Generator to alternator conversion kit. Includes alternator, pulley, and wiring. Fits: 332, 352, 390 | 1958-59 | 250.00 ea. |
| C1TZ-100005-A | Generator Armature - 30 amp. (New) | 1956-64 | 25.00 ea. |
| C3AZ-10050-A | Generator Rear End Plate and Bushing Assembly | 1956-64 | 20.00 ea. |
| 01A-10069 | Generator Brush Set - 86" high x 1' wide x .29" thick | 1940-59 | 4.00 ea. |
| C1AZ-10069-A | Generator Bushing Set - .90" high x .93" wide x .29" thick | 1949-64 | 5.00 set |
| 8BA-10094 | Generator Front Bearing | 1940-59 | 12.00 ea. |
| B6A-100095-B | Generator Rear Bearing | 1954-64 | 21.25 ea. |
| C3AZ-120-A | Generator and Starter Bolt - 1/4" x 20" x 1" x 6 9/16" long | 1954-64 | 5.00 ea. |
| B6A-10139-B | Generator Front End Plate | 1956-64 | 7.50 ea. |
| B6AZ-10175-D | Generator Field Coil Assembly | 1956-64 | 20.00 ea. |

VOLTAGE REGULATOR

| | | | |
|--------------|--|---------|-----------|
| B6A-10505 | Voltage Regulator - 30 amp - 12 volt Replacement | 1956-60 | 60.00 ea. |
| B6A-10505-00 | Voltage Regulator - 30 amp - 12 volt Original Ford | 1956-64 | 65.00 ea. |
| B8A-11628-S | Instrument Panel to Dash Gasket | 1957-58 | 8.00 pr. |

ALTERNATOR CONVERSION

| | | | |
|-----------|---|---------|------------|
| PWM-82101 | 1957-59 Alternator, PowerGEN, Internal Regulator, 90 Amp, 12V Neg. Ground, Black Powdercoated. Direct bolt on Replacement. NO MODIFICATIONS REQUIRED. | 1957-59 | 499.00 ea. |
|-----------|---|---------|------------|



TEMPERATURE SENDING UNIT

| | | | |
|-------------|------------------------------------|---------|-----------|
| B7A-10884-A | Temperature Sender for Motor Block | 1957 | 10.00 ea. |
| B8A-10884-A | Temperature Sender for Motor Block | 1958-59 | 10.00 ea. |

BATTERY TRAY & PARTS

| | | | |
|--------------|---|---------|------------|
| B7A-10718-A | Battery Hold Down - 5 5/8" x 12 5/8" | 1956-58 | 24.00 ea. |
| B7A-10732-B | Battery Tray | 1957-58 | 105.00 ea. |
| B7A-5175-S | Battery Hold Down Clamp Kit - Includes: Two Each of nuts, rubber washers, metal washers and bolts | 1957-58 | 8.00 kit |
| B7A-10720 | Heater Hose Bracket on Rear of Battery Tray Bolt | 1957-58 | 17.50 ea. |
| B7A-10718-R | Battery Hold Down - Exactly like original - Correct for 29N Battery | 1957-58 | 27.00 ea. |
| B7A-10751-A | Ford Power Punch-Tar Top Battery-Show Battery | 1957-59 | 240.00 ea. |
| B7A-10751-GL | Ford Power Punch-Tar Top Battery-Show Battery - Gel Type - Sealed - Maintenance Free | | 350.00 ea. |
| B9A-10732-B | Battery Tray | 1959 | 105.00 ea. |

STARTER ASSEMBLY

| | | | |
|-------------|------------------------------|---------|------------|
| B6A-11002-R | Starter Assembly-New-12 volt | 1957-59 | 245.00 ea. |
|-------------|------------------------------|---------|------------|

STARTER PARTS

| | | | |
|--------------|--|---------|-----------|
| 18-11057 | Brushes | 1932-62 | 6.50 ea. |
| 1CM-11135-A | Rear End Plate Bushings | 1954-59 | 2.00 ea. |
| C1AZ-11350-A | Starter Drive or Bendix | 1957-59 | 86.00 ea. |
| B6A-11450-A | Starter Solenoid-12 volt | 1956-63 | 14.00 ea. |
| 18-11052 | Starter Drive End Bushing | 1932-62 | 2.00 ea. |
| A9AZ-11102-B | Starter Post Kit | 1949-64 | 5.00 kit |
| B1TZ-11126-A | Starter Motor Cover Band | 1952-64 | 4.50 ea. |
| C2AZ-11130-A | Starter Drive End Plate and Bushing | 1954-59 | 15.00 ea. |
| B9AF-11135-A | Starter Rear End Plate Bushing - 5/8" I.D. x 13/16" O.D. x 23/32" long | 1954-59 | 1.50 ea. |

IGNITION SWITCH & RELATED PARTS

| | | | |
|-------------|---|---------|-----------|
| B5A-11572-A | Ignition Switch Housing Assembly | 1952-59 | 18.00 ea. |
| BA-11582-A | Ignition Cylinder Assembly & Keys | 1952-59 | 12.00 ea. |
| BA-3685-A | Ignition Key Blank | 1952-60 | 2.50 ea. |
| BA-3685-B | Trunk Key Blank | 1952-60 | 2.50 ea. |
| B8A-11628-S | Instrument Panel Control Housing to Dash Gasket | 1957-58 | 8.00 pr. |

HEADLIGHT SWITCHES

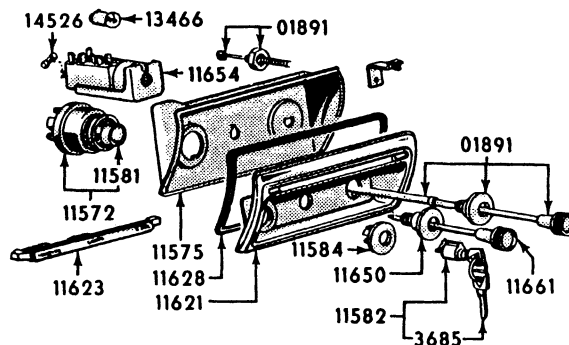
| | | | |
|--------------|--|---------|-----------|
| B6T-11654-A | Headlight Switch - 12 volt | 1956-57 | 55.00 ea. |
| B9AF-11654-A | Headlight Switch - 12 volt - Passenger | 1958-59 | 55.00 ea. |

NEUTRAL SAFETY SWITCH

| | | | |
|------------------|-----------------------|---------|-----------|
| B7AZ-7A247-A NEW | Neutral Safety Switch | 1955-57 | 40.00 ea. |
|------------------|-----------------------|---------|-----------|

IGNITION PARTS

| | | | |
|----------------|---|---------|-----------|
| B7A-12000-1281 | Solid State Electronic Ignition System (replacement points & condenser) Fits: V-8, 1957-74 all except with dual points | 1957-74 | 85.00 ea. |
| A7A-12000-B | Ignition Tune-Up Kit - 6 cylinder - Includes: points, condenser, rotor, coil | 1948-64 | 8.00 kit |
| B6A-12029 | Coil - 12 volt | 1956-58 | 35.00 ea. |
| 7HA-12106 | Distributor Cap - 6 cylinder | 1949-64 | 20.00 ea. |
| B7A-12106 | Distributor Cap | 1957-64 | 18.00 ea. |
| FAA-12171-A | Points - 6 cylinder | 1949-64 | 12.00 ea. |
| B8Q-12171-A | Points - 8 cylinder | 1957-64 | 16.00 ea. |
| FAA-12200-B | Rotor - 6 cylinder | 1946-64 | 3.00 ea. |
| B7A-12200 | Rotor - 8 cylinder | 1957-64 | 6.00 ea. |
| CODF-12216-A | Distributor Primary Lead - 6 cylinder | 1952-56 | 13.00 ea. |
| B6A-12250-C | Ignition Coil Resistor - 12 volt | 1956-57 | 8.00 ea. |
| 7RA-12264 | Breaker Ground Wire - 6 cylinder | 1949-62 | 1.50 ea. |
| B9AZ-12300-A | Condenser | 1957-59 | 7.50 ea. |
| B9AF-12370-A | Distributor Vacuum Diaphragm - 8 cylinder - With Pivot Plate | 1957-59 | 20.00 ea. |
| FAA-12111-2K | Spark Plug Wire Mounting Bracket Kit Fits: 239, 272, 292, 312 Engine | 1954-64 | 25.00 kit |
| FAA-12297-K | Spark Plug Wire Mounting Grommets - Rubber Set of six - Fits: 239, 272, 292, 312 Engine | 1954-64 | 20.00 kit |
| B6A-12297-K | Spark Plug Wire Separation Kit - V-8 4 pcs. | 1958-up | 6.00 kit |

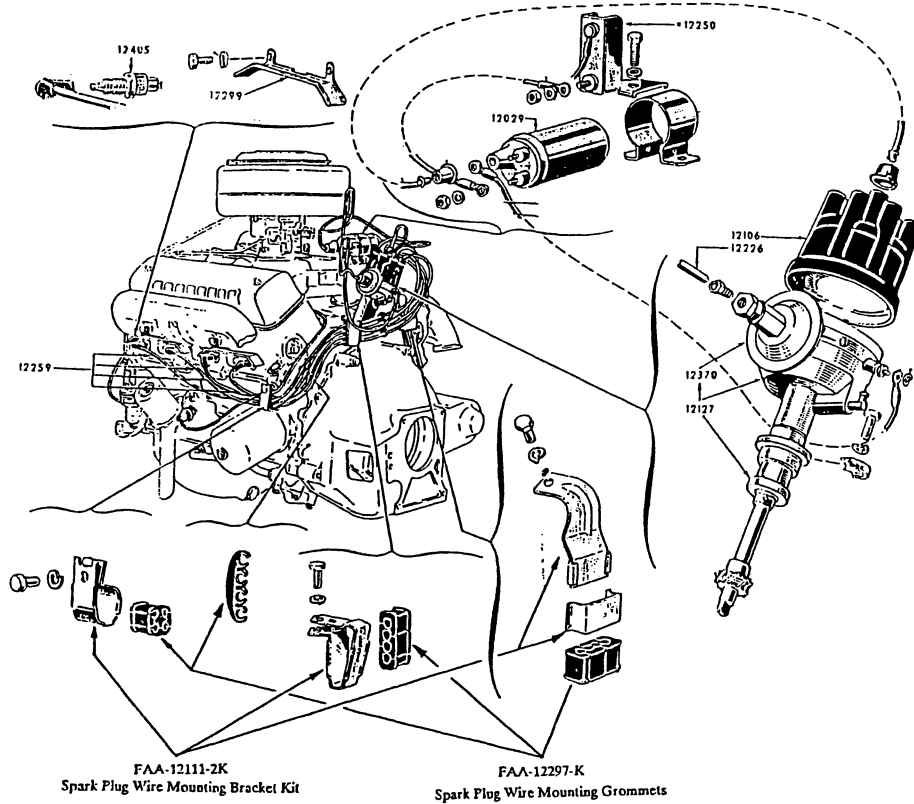


* SUPPLIED IN 18805 RADIO KIT ONLY

Base numbers only shown on illustration. Order by part Numbers shown in list of parts.



SPARK PLUG



CHAMPION SPARK PLUG

| | | | |
|-------------|----------------------------|---------|----------|
| B5C-12405-A | Champion Spark Plug - 18MM | 1955-57 | 3.50 ea. |
|-------------|----------------------------|---------|----------|

SPARK PLUG WIRES

| | | | |
|--------------|---|---------|-----------|
| D1AZ-12259-F | Spark Plug Wires - 8 cylinder Fits: 272, 292, 312 Engine | 1954-59 | 60.00 set |
| C5AZ-12259-F | Spark Plug Wires - Fits: 352 Engine - 8 cylinder | 1958-64 | 60.00 set |
| B5A-12299-A | Spark Plug Metal Shield - Need 4 per car - 8 cylinder | 1955-57 | 6.00 ea. |
| B5A-12259 | Spark Plug Wire Set with Weatherproof Ends Fits: Original - V8, 239, 272, 292, 312 - Ford Script | 1954-62 | 95.00 set |

Base numbers only shown on illustration. Order by part Numbers shown in list of parts.



WIRING HARNESS - 1957 FORD PASS

| | | |
|---------------|---|------------|
| B5A-12259D | Plug Wire - 8 cyl. - Pass, PU, T-Bird - Molded Plug Ends | 77.00 set |
| B7A-13076A | HL Soc - RH - Pass - Flat PVC Wire - Full Lg Grd w/Grommet - 68" | 34.00 ea. |
| B7A-13077 | HL Soc - LH - Pass - Flat PVC Wire - Full Lg Grd w/Grommet - 22" | 30.00 ea. |
| B7A-13234A | Park & Turn Socket - RH - Pass - 2 Wires, 1 Soc - 63" | 33.00 ea. |
| B7A-13235A | Park & Turn Socket - LH - Pass - 2 Wires, 1 Soc - 26" | 30.00 ea. |
| FDR-13410B | Tail Soc - 57 Pass, 57 T-Bird, 58 Ranchero, 58 S/D - With Soc | 25.00 ea. |
| FEG-13410A/LS | Back-Up Repair Kit - T-Bird - 2 Wire - blk & red, w/Grommet - 30" | 10.00 ea. |
| B7A-13412A | Lic Lt Soc - S/W, S/D & Ranchero - 22" | 18.00 ea. |
| B7A-13560A | Lic Lt Wire - Pass - ex Retc, S/W, S/D & Ranchero - w/Soc - 12" | 18.00 ea. |
| FDR-13796A/LS | Dome Lt Soc Wire - Pass - Without Soc - PVC Wire - 4.5" | 6.00 ea. |
| FDA-14303A | Eng Grd W - Pass 55-64, 57-59 TB, 60-63 8 cyl, Merc 54-59 & 64 6c Fal | 7.50 ea. |
| B7A-14305B | Gen to Reg - Pass - PVC Wire - 8 cyl - 60" | 38.00 ea. |
| B7A-14308A | Horn Wire - Pass - With Shell, Spring, Ins & Rivet - 50" | 16.50 ea. |
| FEG-14309A | Heater SW to Heater Motor - Pass - PVC Wire - 43" | 21.50 ea. |
| FEF-14322A | Oil Sender to Cowl Wire - Pass, T-Bird, 57 Merc - PVC Wire - 28" | 10.25 ea. |
| B7A-14328B | Courtesy Lamp Wire - Convertible & Retractable - 8t | 80.00 ea. |
| B7A-14328A | Courtesy Lamp Wire - Pass - 6t | 36.00 ea. |
| B7A-143334B | Dome Light Wire - Pass - Except Convert & Retract - 97" | 30.00 ea. |
| FEG-14338A | Ign Sw to Heater Sw - Pass - PVC Wire - w/Fuse Holder - 30" | 20.00 ea. |
| FDR-14347A | Cigar Lighter to Ckt Breaker - Pass - 8 cyl - 4" | 8.25 ea. |
| FEG-14347A | Cigar Lighter to Ckt Breaker - Pass - 6 cyl - 12" | 7.00 ea. |
| FEG-14351B | Convert Top Control, Pwr Seat & Window Wire - Pass - 72" | 15.75 ea. |
| B7A-14362A | Top Control Sw to Top Motor - Convertible Only - 139" | 85.00 ea. |
| FEH-14381A | Overdrive Relay to Ign Coil Wire - Pass - 8 cyl - 24" | 7.00 ea. |
| FEG-14381A | Overdrive Relay to Ign Coil - Pass 57 - 8 cyl, 58 - 6 cyl - 50" | 7.00 ea. |
| B7A-14382A | Overdrive Wire - Pass 56-57 - 8 cyl, 58 - 6 cyl | 24.00 ea. |
| B7A-14382A/M | Overdrive Wire - Pass 56-57 - 8 cyl, 58 - 6 cyl - Molded Ends | 37.00 ea. |
| FEG-14396A | Ign Sw to Overdrive Relay - Pass 57 8 & 6 cyl, 58 6 cyl - 46" | 6.00 ea. |
| B7A-14401A | Dash - Pass - 8 cyl | 606.00 ea. |
| B7A-14401F | Dash - Pass - Using Alternator - 8 cyl | 589.00 ea. |
| B7A-14401C | Dash - Pass - used with 50 or 60 amp Gen - 6 cyl | 549.00 ea. |
| B7A-14401E | Dash - Pass - Using Alternator - 6 cyl | 538.00 ea. |
| B7A-14405B | Body - Pass - PVC Wire - 13t | 165.00 ea. |
| B7A-14415A | Lic Lt Wire - S/W, S/D & Ranchero - 16" | 9.00 ea. |
| B7A-14440A | Horn to Relay Wire - Pass - Early 57 Only - PVC Wire - 75" | 15.00 ea. |
| FEG-14440E | Horn Wire - 57 Pass, 58 Pass 2 dr & 4 dr Sedan, 58 Ranchero, 58 S/D | 12.00 ea. |
| B7A-14475A | Stop Lt Switch Ext Wire - Pass - Use w/Power Brakes - 12" | 15.00 ea. |
| FEG-14476A | Neutral Safety Switch Wire - Pass - PVC wire | 15.50 ea. |
| B-14487 | 180 Bullet Splice - All Pass & PU - Black Rubber Sleeved | 1.00 ea. |
| 59A-14487B | Dbl Splice (4 Way) - All Pass & PU - Brown Rubber Sleeved | 3.00 ea. |
| FDR-14495A | Ign Coil to Ing Resistor - Pass, T-Bird, & 57 Merc - 3.5" | 5.00 ea. |
| FEJ-14495B | Ign Coil to Ign Resistor - Pass, T-Bird - 2 Carbs, PVC wire - 8.5" | 6.00 ea. |
| B7A-14529A/LS | Win Sw W, RH Rear - Retc, Club Vict/Sedan & Sun Convrt - Less SW | 39.00 ea. |
| B-14585 | Wire Frame Clip - 1/2 x 1.6" Lg - Steel - Black | 1.00 ea. |
| B-14585H | Wire Frame Clip - Same as B-14585, Except 1/8" Higher | 1.00 ea. |



WIRING HARNESS - 1957 FORD PASS - *continued*

| | | |
|---------------|--|------------|
| B14586 | Wire Frame Clip - 1/2 x 1.07" Lg - Steel - Black | 1.00 ea. |
| B7A-14630A | Elec Window Wire - RH - Pass - 13t | 113.00 ea. |
| B7A-14631A | Elec Window & Seat Wire - LH - Pass - PVC Wire - 28t | 133.00 ea. |
| B7A-14642A | Elec Seat Switch Wire - Pass - 16t | 64.00 ea. |
| B7A-14643A | Seat Reg Relay Wire - 57 Pass, 56 Merc - PVC Wire - 76" | 31.00 ea. |
| B7A-14644A | Elec Win Reg W - RH Rear - Pass - Retc, Club/Sdn, Sun/Convert - 8t | 60.00 ea. |
| B7A-14678A | Elec Window Regulator Relay to Circuit Breaker - Pass - 37" | 13.00 ea. |
| FEG-14679A | Starter Sol to Window Regulator Relay - Pass - 62" | 9.00 ea. |
| B7A-14702B | Elec Win Reg W - LH - Rear - Pass - Retc, Club/Sdn, Sun/Convert - 8t | 67.00 ea. |
| B7A-14705A | Window Reg Relay W - Pass - ex Rnch/Wag, Rancho, T/Sed & S/D - 79" | 113.00 ea. |
| B7A-14717A/LS | Win Sw W - LH Rear - Retc, Club Vict/Sedan & Sun Convrt - Less Sw | 26.00 ea. |
| B7A-15026B | Elec Clock Feed Wire - Pass - With Fuse Holder - 29" | 48.00 ea. |
| FEG-15525A | B/U Sw to Lamp Feed - Pass - Use With FET-155068 - 1 Wire - 75" | 10.00 ea. |
| FEG-15525/MU | Backup Light Wire - Pass - PVC Wire - 2 Wires - 76" | 35.00 ea. |
| B9A-17018A | Crimping Tool - .180 Bullet & Light Contact Terminals | 103.00 ea. |
| FDR-18254 | Glove Compartment Lamp Wire - Pass | 24.00 ea. |
| B7A-18541/MU | Heater & A/C Control Lamp Wire - Pass - With Socket - 10" | 15.00 ea. |
| FEG-19945A/M | Air Conditioner Wire - Pass - Blower Sw Wire - 13t - 146" | 71.00 ea. |

WIRING HARNESS - 1957 FORD RETRACTABLE

| | | |
|-------------|---|------------|
| B7A-13701B | Lic Lt Wire - Retractable Only - With Soc's | 42.00 ea. |
| B7A-14276A | Luggage Compartment Wire - Retractable Only - 88" | 243.00 ea. |
| B7A-14298A | Power Tray Wire - Retractable Only - 134" | 587.00 ea. |
| B7A-14328B | Courtesy Lamp Wire - Convertible & Retractable - 8t | 80.00 ea. |
| B7A-14405E | Body - Retractable Only - 312" | 249.00 ea. |
| FEG-14682A | Top Ckt Brk To St Sol Wire - Retractable Only - 72" | 31.00 ea. |
| B7A-14728A | Top Cycle Indicator Wire - Retractable Only - 27" | 35.00 ea. |
| B7A-14729A | Top Power Relay Feed Wire - Retractable Only - 10t | 41.00 ea. |
| B7A-15A662A | Front Motor Lock Wire - Retractable Only - 14t | 465.00 ea. |
| B7A-15771A | Rear Roof Lock Motor Wire - Retractable Only - 15t | 262.50 ea. |
| B7A-15777A | Top Control Cycle Sw Wire - Retractable Only - 12t | 231.00 ea. |

*We are here to serve you.
In order to serve you better, we would like to know of your particular needs.
Drop us a card.
Thank you for your continued patronage.
Jerry*



WIRING HARNESS - 1958 FORD PASS

| | | |
|---------------|---|------------|
| B8A-10246 | Gen Reg to Dash Wire - Pass - PVC Wire - 39" | 6.00 ea. |
| B8A-13076A | HL Soc, RH - Pass - Flat PVC Wire - Full Lg Grd w/Grommet - 102" | 57.00 ea. |
| B8AZ-13105A | HL Soc, LH - Pass - Flat PVC Wire - Full Lg Grd w/Grommet - 48" | 46.00 ea. |
| FET-13234A | Park & Turn Socket - RH - Pass - 2 Wires - 1 Soc - 100" | 42.00 ea. |
| FET-13235A | Park & Turn Socket - LH - Pass - 2 Wires - 1 Soc - 51" | 35.00 ea. |
| FDR-13410B | Tail Soc - 57 Pass, 57 T-Bird, 58 Ranchero, 58 S/D - With Soc | 23.00 ea. |
| B7A-13560A | Lic Lt Wire - Pass - ex Retc, S/W, S/D & Ranchero - w/Soc - 12" | 18.00 ea. |
| B8A-13560B | Lic Lt Soc - S/W, S/D & Ranchero - 30" | 18.00 ea. |
| FDR-13796A/LS | Dome Lt Soc Wire - Pass - Without Soc - PVC Wire - 4.5" | 6.00 ea. |
| B8A-14289B | Dash to Engine Gauge Feed - Pass - 8 cyl - 11t | 109.00 ea. |
| FDA-14303A | Eng Grd W - Pass 55-64, 57-59 TB, 60-63 8 cyl, Merc 54-59 & 64 6c Fal | 6.00 ea. |
| B8A-14305A | Gen to Reg - Use with 30 or 60 Amp Gen - 8 cyl - 65 " | 74.00 ea. |
| B8A-14308A | Horn Wire - Pass - Brd w/With Shell, Spring, Ins & Rivet - 64" | 13.00 ea. |
| B7A-14328B | Courtesy Lamp Wire - Convertible & Retractable - 8t | 80.00 ea. |
| B8A-14328B | Courtesy Lamp Wire - Pass - 6t | 40.00 ea. |
| FDR-14347A | Cigar Lighter to Ckt Breaker - Pass - 8 cyl - 4" | 6.00 ea. |
| FEG-14347A | Cigar Lighter to Ckt Breaker - Pass - 6 cyl - 12" | 7.00 ea. |
| FEG-14351B | Convert Top Control - Pwr Seat & Window Wire - Pass - 72" | 12.00 ea. |
| FEG-14381A | Overdrive Relay to Ign Coil - Pass - 57 - 8 cyl, 58 - 6cyl - 50" | 7.00 ea. |
| FEY-14381A | Overdrive Relay to Ign Coil Wire - Pass - 8 cyl - 28" | 7.00 ea. |
| B7A-14382A | Overdrive Wire - Pass - 56-57 8cyl, 58 6 cyl | 23.00 ea. |
| B7A-14382A/M | Overdrive Wire - Pass - 56-57 8cyl, 58 6 cyl - Molded Ends | 37.00 ea. |
| FEG-14396A | Ign Sw to Overdrive Relay - Pass - 57 8 & 6 cyl, 58 6 cyl - 46" | 6.00 ea. |
| FEU-14396A | Ign Sw to Overdrive Relay - Pass - 8 cyl - 60" | 7.00 ea. |
| B8A-14401A | Dash - Pass - 8 & 6 cyl | 516.00 ea. |
| B8A-14405A | Body - Pass - Except S/W, S/D, & Retract - 233" | 244.00 ea. |
| B8A-14405E | Body - Station Wagon - With Turn Sig Wires - 16t | 242.00 ea. |
| FEG-14440E | Horn Wire - 57 Pass, 58 Pass 2dr & 4dr Sedan, 58 Ranchero, 58 S/D | 14.00 ea. |
| B7A-14475A | Stop Lt Switch Ext Wire - Pass - Use w/Power Brakes - 12" | 15.00 ea. |
| FET-14476A | Neutral Safety Switch Wire - Pass - PVC Wire | 15.00 ea. |
| B-14487 | 180 Bullet Splice - All Pass & PU - Black Rubber Sleeved | 1.00 ea. |
| 59A-14487B | Dbl Splice - 4-way - All Pass & PU - Brown Rubber Sleeved | 3.00 ea. |
| B14585 | Wire Frame Clip - 1/2 x 1.60" Lg - Steel - Black | 1.00 ea. |
| B-14585H | Wire Frame Clip - Same as B-14585 except 1/8" Higher | 1.00 ea. |
| B-14586 | Wire Frame Clip - 1/2 x 1.07" Lg - Steel - Black | 1.00 ea. |
| B8E-14630A | Elec Window Wire, RH - Pass - 13t | 124.00 ea. |
| B8E-14631B | Elec Window Wire, LH - Pass - PVC Wire - 28t | 146.00 ea. |
| B7A-14678A | Elec Window Regulator Relay to Circuit Breaker - Pass - 37" | 16.00 ea. |
| FEG-14679A | Starter Sol to Window Regulator Relay - Pass - 62 " | 11.00 ea. |
| B7A-15026B | Elec Clock Feed Wire - Pass - With Fuse Holder - 29" | 48.00 ea. |
| FET-15506A | Backup Ckt Wire to Lamps - Pass - 91" | 15.00 ea. |
| FET-15506B | Backup Sw thru FET-15506A to Lamps - Pass - 168" | 11.00 ea. |
| FEY-15536A | Backup Lt Socket Wire - Pass - 2 Wire, With Socket - 8" | 15.00 ea. |
| B9A-17018A | Crimping Tool; - .180 Bullet & Light Contract Terminals | 103.00 ea. |
| FEG-19945A/M | Air Conditioner Wire - Pass - Blower SW Wire - 13t - 146" | 85.00 ea. |



WIRING HARNESS - 1958 FORD RETRACTABLE

| | | |
|-------------|---|------------|
| B7A-13701B | Lic Lt Wire - Retractable Only - With Soc's | 51.00 ea. |
| B8A-14276A | Luggage Compartment Wire - Retractable Only - 87" | 246.00 ea. |
| B8A-14298A | Power Tray Wire - Retractable Only - 137" | 605.00 ea. |
| B7A-14328B | Courtesy Lamp Wire - Convertible & Retractable - 8t | 80.00 ea. |
| B8A-14405E | Body - Retractable Only - 312" | 256.00 ea. |
| FEG-14682A | Top Ckt Brk To St Sol Wire - Retractable Only - 72" | 30.00 ea. |
| B7A-14729A | Top Power Relay Feed Wire - Retractable Only - 10t | 41.00 ea. |
| B8A-15A662A | Front Motor Lock Wire - Retractable Only - 14t | 470.00 ea. |
| B8A-15771A | Rear Roof Lock Motor Wire - Retractable Only - 15t | 265.00 ea. |
| B8A-15777A | Top Control Cycle Sw Wire - Retractable Only - 11t | 241.00 ea. |



BUY AMERICAN

WIRING HARNESS - 1959 FORD PASS

| | | |
|--------------|---|------------|
| B9AF-13076A | HL Soc Wire - Pass - 59, T-Bird - 60-63 - Two HL Soc's w/Grom - 23" | 41.00 ea. |
| B9A-13341A | Same As B9A-13341A/M - 4950.5 - except not correct molded ends | 19.00 ea. |
| B9A-13341A/M | Turn Sig Wire - Pass - except 62 XL 2Dr HD top & XL Convert | 40.00 ea. |
| B9AZ-14A027A | Elec Window Reg Relay Feed Wire - Pass - 14t | 118.00 ea. |
| B9A-14289A | Dash to Engine Gauge Feed - Pass - 292 8cyl - 11t | 95.00 ea. |
| B9A-14289C | Dash to Engine Gauge Feed - Pass - 8 cyl - 11t | 105.00 ea. |
| B9AF-14290B | Dash Firewall to HL Junction Wire - Pass | 144.00 ea. |
| FDA-14303A | Eng Grd W - Pass 55-64, 57-59 TB, 60-63 8 cyl, Merc 54-59 & 64 6c Fal | 7.00 ea. |
| B9A-14305B | Gen to Reg - Use with 30 or 60 Amp Gen - 8 cyl - 69" | 74.00 ea. |
| B9A-14308/WP | Horn Wire - Pass - with shell, spring, ins & rivet - 26" | 10.00 ea. |
| B8A-14328B | Courtesy Lamp Wire - Pass - 6t | 37.00 ea. |
| B9A-14347A | Cigar Lighter to Ckt Breaker - Pass - 3.5" | 8.00 ea. |
| B9A-14382A | Overdrive Wire - Pass - PVC Wire - 49" | 51.00 ea. |
| B9A-14401A | Dash - Pass - 8 & 6 cyl | 325.00 ea. |
| B9A-14405B | Body - Pass - except S/W, S/D, & Retract. - 13t | 204.00 ea. |
| COAF-14405A | Body - Pass Galaxy "500" - 13t | 284.00 ea. |
| B9A-14440A | Horn Feed Wire - Pass - Use With A/C Only - 56" | 16.00 ea. |
| B7A-14475A | Stop Lt Switch Ext Wire - Pass - Use w/Power Brakes - 12" | 18.00 ea. |
| B-14487 | 180 Bullet Splice - All Pass & PU - Black Rubber Sleeved | 1.00 ea. |
| 59A-14487B | Dbl Splice - 4 way - All Pass & PU - Brown Rubber Sleeved | 3.00 ea. |



WIRING HARNESS - 1959 FORD PASS - *continued*

| | | |
|---------------|---|------------|
| B9A-14529A/LS | Window Sw W - RH Rear - Pass - Less Sw - 31" | 31.00 ea. |
| B-14585 | Wire Frame Clip - 1/2 x 1.60" Lg - Steel - Black | 1.00 ea. |
| B-14585H | Wire Frame Clip - Same as B-14585 Except 1/8" Higher | 1.00 ea. |
| B-14586 | Wire Frame Clip - 1/2 x 1.07" Lg - Steel - Black | 1.00 ea. |
| B9A-14630A | Elec Window Wire - RH - Pass - 9t | 137.00 ea. |
| B9A-14631A | Elec Window Wire - LH - Pass - PVC Wire - 16t | 167.00 ea. |
| B9AZ-14644A | Elec Win Reg W - RH Rear - Pass - 7t | 102.00 ea. |
| B9A-14678A | Window Reg Relay to Ckt Bkr - Pass - Power Windows Only - 8t | 55.00 ea. |
| B9A-14678B | Window Reg Relay to Ckt Bkr - Pass - Power Window & Seat - 7t | 55.00 ea. |
| B9A-14679A | Starter Sol to Window Regulator Relay - Pass - 10" | 8.00 ea. |
| B9AZ-14702A | Elec Win Reg W, LH Rear - Pass - 7t | 95.00 ea. |
| B9A-14717A/LS | Window Sw - W - LH Rear - Pass - Less Sw - 31" | 31.00 ea. |
| B7A-15026B | Elec Clock Feed Wire - Pass - With Fuse Holder - 29" | 48.00 ea. |
| B9A-17018A | Crimping Tool - .180 Bullet & Light Contact Terminals | 103.00 ea. |
| B9A-19945A | Air Conditioner Wire - Pass | 115.00 ea. |

WIRING HARNESS - 1959 FORD RETRACTABLE

| | | |
|--------------|--|------------|
| B9A-14276A | Luggage Compartment Wire - Retractable Only - 83" | 217.00 ea. |
| B9A-14405A | Body - Retractable Only - 298" | 226.00 ea. |
| B7A-14729A | Top Power Relay Feed Wire - Retractable Only - 10t | 41.00 ea. |
| B9AF-15A569A | Power Tray Wire - Retractable Only - 166" | 555.00 ea. |
| B9A-15A661A | Power Top Control Cycle Sw Wire - Retractable Only - 19t | 289.00 ea. |
| B9AF-15A662A | Front Motor Lock Wire - Retractable Only - 12t | 426.00 ea. |
| FET-15771B | Rear Roof Lock Motor Wire - Retractable Only - 13t | 215.00 ea. |

MEDAL WIRE CLIP

| | | | |
|-----------|---------------------------------------|---------|----------|
| 8M-14197 | Clip to Hold Wiring to Car 17/32" | 1957-59 | 3.00 ea. |
| 51C-14197 | Clip to Brake Line or Fuel Line 7/16" | 1957-59 | 3.00 ea. |

JUNCTION BOX FOR WIRING

| | | | |
|-------------|-------------------------|---------|-----------|
| FDT-14448-A | Double Stack Under Hood | 1949-59 | 25.00 ea. |
| FDT-1448-B | Single Stack | 1949-59 | 14.00 ea. |
| FDT-14448-C | Double Stack Under Dash | 1949-59 | 18.00 ea. |

MEDAL WIRE GROMMET

| | | |
|----------|---|----------|
| 352873-S | Small 11/16" - LH Inner Fender | 4.00 ea. |
| 352873-L | Large 25/32" Hole - LH Side of Radiator Support | 4.00 ea. |



RADIOS

The following Radios are AM/FM, cassette, or CD (upon request).

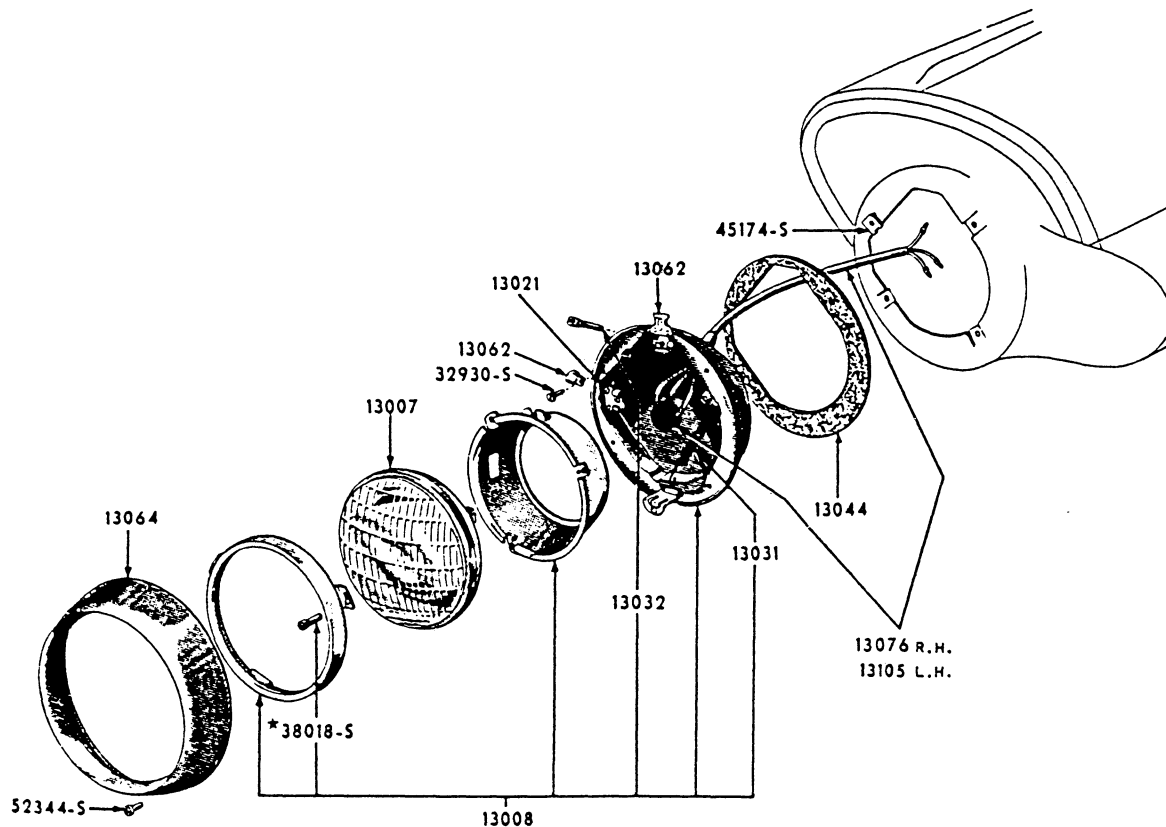
They fit directly into the dash of your 1957-59 Ford. Each Radio comes with complete installation instructions and a face plate to match your existing dash trim.

| | | | |
|---------------|--|---------|------------|
| CONVERSION | Your Factory Ford AM radio can be converted to AM/FM with CD pre-outs, while retaining the original look. All conversions are guaranteed. Prices starting at \$525 ea. Xm is also available-inquire! | | INQUIRE |
| KHE-300 | AM/FM Cassette, auto-stop, Locking FF/RW, RCA Pre-Outs, separate bass & treble, 4-way fader, 30 presets (18 FM/12 AM), Manual tuning, Seek, preset scan, Auto store, Auto stereo - Mono, Auto-antenna lead, LCD w/ green illumination, 25 x 4 200 watt. Available in black or chrome. With matching dash trim. | | 280.00 ea. |
| Speaker Board | Each board holds two 3-1/2" speakers. NOT INCLUDED. Fits into original speaker hole in dash. | 1957-59 | 25.00 ea. |

HEADLIGHT RELATED PARTS

| | | | |
|---|--|---------|-----------|
| B6A-13007 | Headlight Sealed Beam | 1956-57 | 8.00 ea. |
| B8AZ-13007-A | Headlight Sealed Beam - Low Beam Outer | 1958-64 | 10.00 ea. |
| B8AZ-13007-B | Headlight Sealed Beam - High Beam Inner | 1958-64 | 10.00 ea. |
| 01A-13018-C | Headlight Bulb Retainer Ring - 2 per car | 1957 | 16.00 ea. |
| B8A-13015-B | Headlight Bulb Retainer Ring - 4 per car | 1958-64 | 8.00 ea. |
| B7A-13044-A | Headlight Bucket to Fender Gasket | 1957 | 4.00 ea. |
| B8A-13044-A | Headlight Bucket to Fender Gasket | 1958 | 5.00 ea. |
| B7A-13048-S | Headlight Rim Screw - Stainless - set of two | 1957 | 1.00 set |
| B8A-13048-S | Headlight Rim Screw - Stainless - set of two | 1958 | 1.00 set |
| B7A-13050-S | Headlight Bucket Screw Kit | 1957 | 8.00 kit |
| B8A-13050-S | Headlight Bucket Screw Kit | 1958 | 8.00 kit |
| B9A-13050-S | Headlight Bucket Screw Kit | 1959 | 8.00 kit |
| (kit includes all fasteners for one headlight assembly) | | | |
| B8A-13063-A | Headlamp Door Trim - RH | 1958 | 50.00 ea. |
| B9AF-13076-A | Headlamp Bulb Wire with Socket - RH or LH | | 24.00 ea. |

1957 HEADLAMP



Base numbers only shown on illustration. Order by part Numbers shown in list of parts.



HORN RELAY

| | | | |
|-----------|------------|---------|-----------|
| B7A-13853 | Horn Relay | 1957 | 17.50 ea. |
| B8A-13853 | Horn Relay | 1958-63 | 30.00 ea. |

HORN RING PLASTIC RETAINER

| | | | |
|---------------|---|--|----------|
| B9AZ-13A809-A | Horn Plate Button Index - Plastic piece that goes under Horn Ring. Fits: All 1959 Except Custom & Ranch Wagon | | 6.00 ea. |
|---------------|---|--|----------|

COURTESY LIGHT SWITCH

| | | | |
|----------|-------------------------------------|---------|----------|
| 8M-13713 | Courtesy Light Switch for Door Post | 1949-57 | 6.00 ea. |
|----------|-------------------------------------|---------|----------|

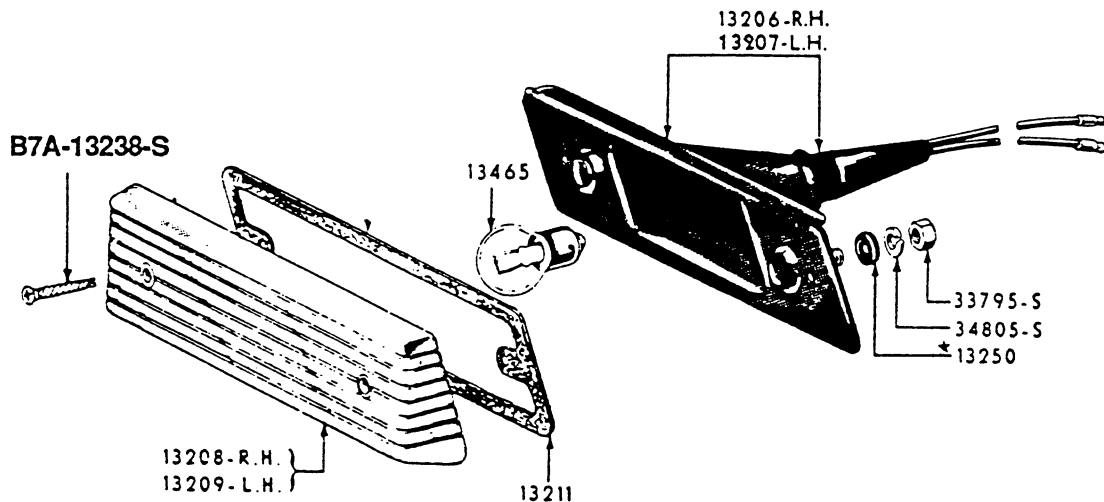
PARKING LIGHTS

| | | | |
|--------------|-------------------------------------|---------|-----------|
| B7A-13206-A | Parking Lamp Body - Right or Left | 1957 | 24.00 ea. |
| B7A-13208 | Parking Light Lens - Right or Left | 1957 | 18.50 ea. |
| B9AF-13208-A | Parking Light Lens - Right or Left | 1959 | 10.00 ea. |
| B8A-13209-A | Parking Light Lens - Left | 1958 | 18.50 ea. |
| B8A-13208-A | Parking Light Lens - Right | 1958 | 18.50 ea. |
| B7A-13211-A | Parking Light Lens Gasket - All | 1957 | 6.00 pr. |
| B8A-13211-A | Parking Light Lens Gasket | 1958 | 7.00 pr. |
| BAAA-13410 | Parking Lamp Socket & Wire Assembly | 1952-58 | 5.00 ea. |

PARKING LIGHT LENS SCREWS

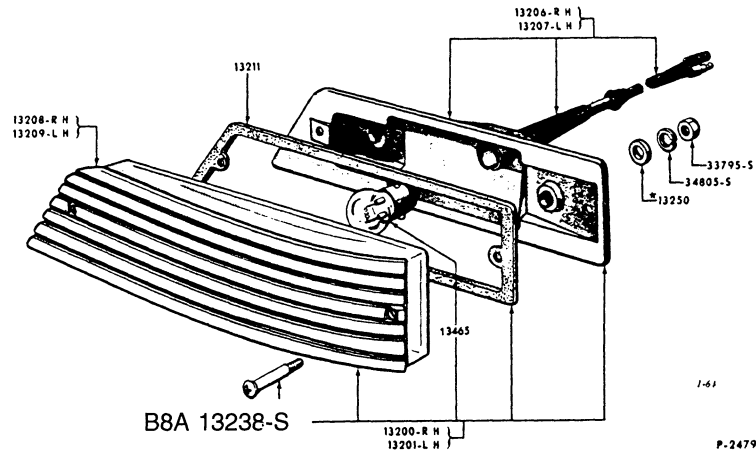
| | | | |
|-------------|---|------|----------|
| B7A-13278-S | Parking Light Lens Screws - Set of four | 1957 | 4.00 set |
| B8A-13238-S | Parking Light Lens Screws - Set of four | 1958 | 4.00 set |
| B9A-13238-S | Parking Light Lens Screws - Set of six | 1959 | 5.00 set |

1957 PARKING LAMP

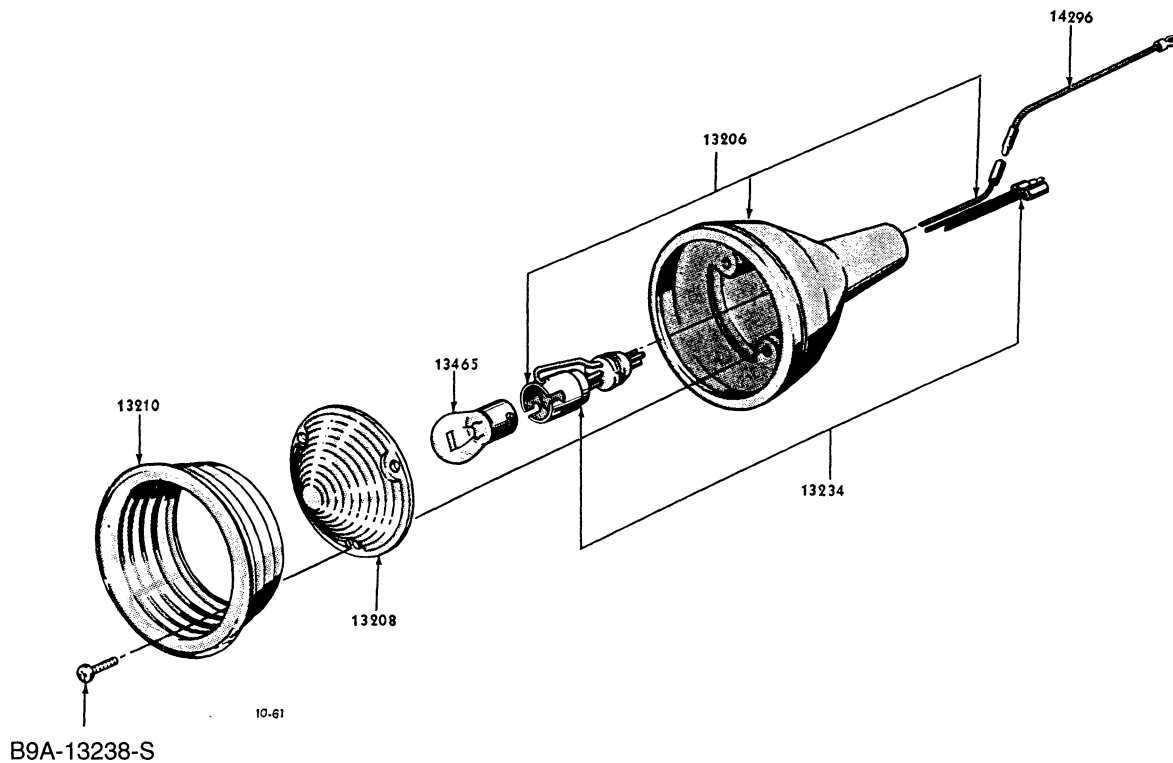


Base numbers only shown on illustration. Order by part Numbers shown in list of parts.

1958 PARKING LAMP



1959 PARKING LAMP



Base numbers only shown on illustration. Order by part Numbers shown in list of parts.



GAS TANK DOOR BUMPERS

| | | | |
|------------|---|---------|----------|
| BA-13398-B | Gas Tank Door to Body Bumpers Fits: All Except Retractable, Wagon & Ranchero | 1952-58 | 5.00 pr. |
|------------|---|---------|----------|

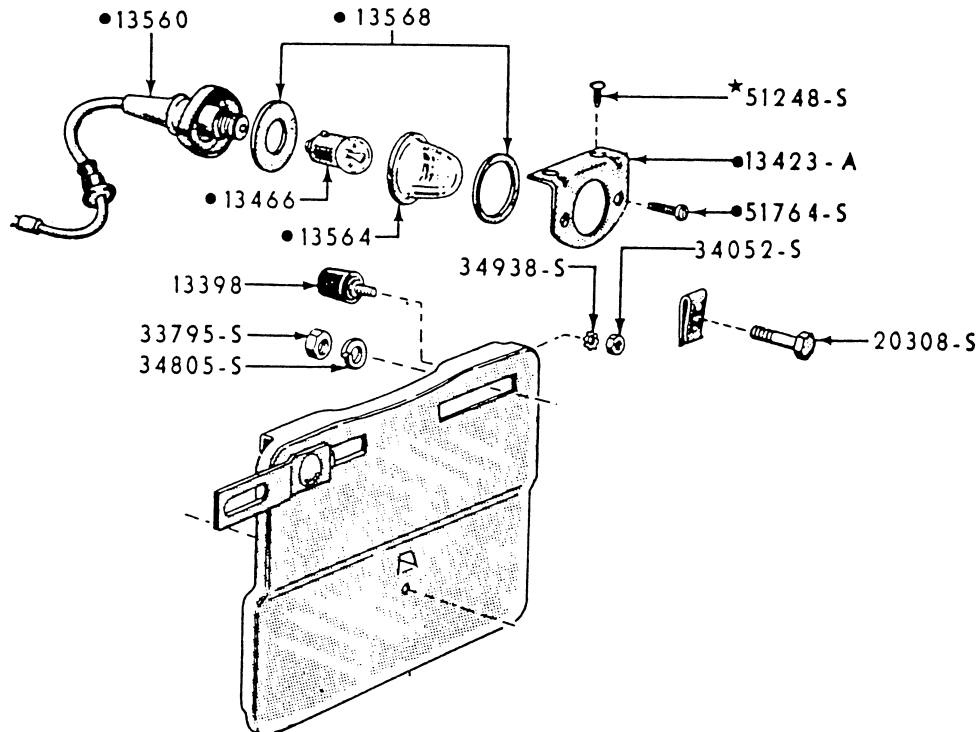
LICENSE PLATE PARTS

| | | | |
|--------------|--|---------|-----------|
| BA-13560 | License Plate Light Socket & Wire Assembly Replacement type - Fits: All Retractable | 1957-58 | 10.00 ea. |
| B8A-13550-A | License Plate Light Assembly Fits: All Except Station Wagon, Sedan Delivery, Retractable & Ranchero | 1957-58 | 35.00 ea. |
| B8A-13550-R | License Plate Light Assembly - Fits: Retractable - Snaps Into Bumper | 1957-58 | 12.00 ea. |
| IA-14567 | License Plate Light Wire Grommet - goes where wire comes in bottom back of trunk | 1957-59 | 2.00 ea. |
| B9A-13550-A | License Plate Lamp assy. - wiring, housing, lens, gasket & cover. Fits all ex. Wagon & Ranchero | 1959-60 | 35.00 ea. |
| C3AZ-13560-A | License Plate Lamp Housing & Socket | 1959-63 | 20.00 ea. |
| B9A-13566-A | License Plate Lamp Cover | 1959-60 | 5.00 ea. |
| B9A-13568-A | License Plate Lamp Lens Gasket | 1959-63 | 1.00 ea. |
| 1A-14567 | License Plate Light Wire Grommet | 1957-59 | 3.00 ea. |

TURN SIGNAL PARTS

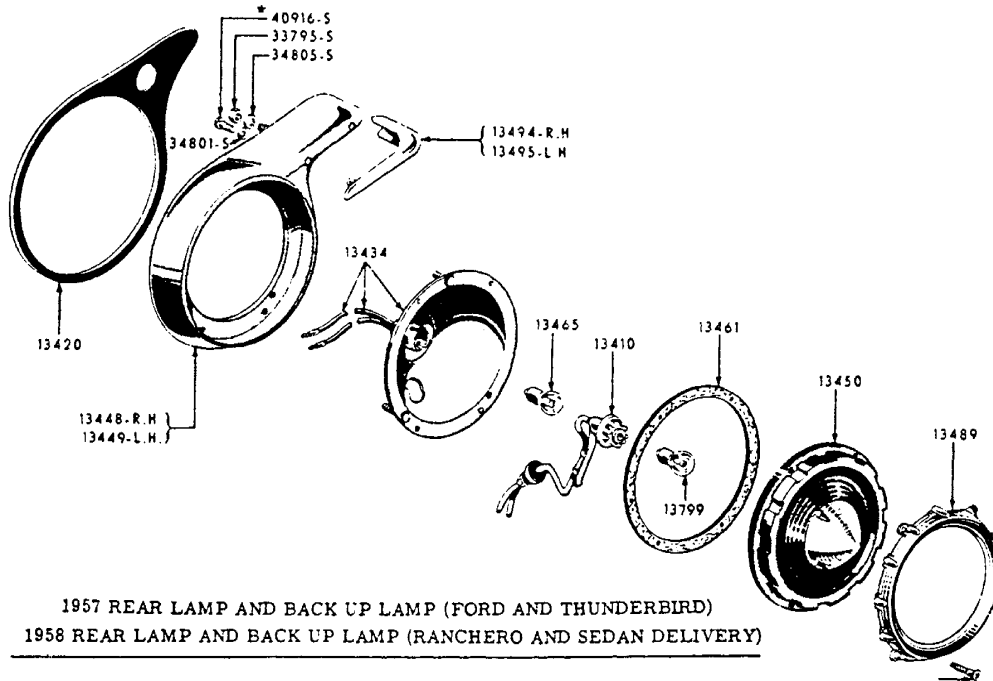
| | | | |
|-------------|-----------------------------------|---------|-----------|
| B7A-13305-B | Turn Indicator Lever Knob - Black | 1957 | 6.00 ea. |
| B8A-13305-W | Turn Indicator Lever Knob - White | 1958-59 | 6.00 ea. |
| FAB-13318 | Turn Signal Cancelling Cam | 1951-58 | 17.50 ea. |
| B6A-13350-A | Turn Signal Flasher - 12 volt | 1956-59 | 5.00 ea. |

LICENSE PLATE LIGHT



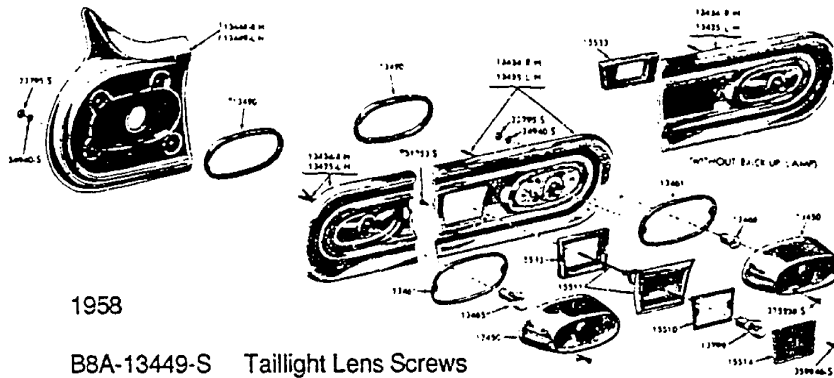
Base numbers only shown on illustration. Order by part Numbers shown in list of parts.

TAILLIGHT PARTS



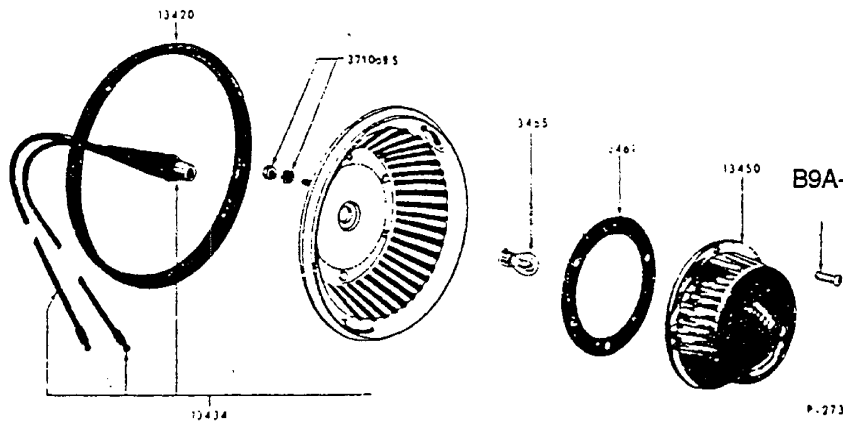
1957 REAR LAMP AND BACK UP LAMP (FORD AND THUNDERBIRD)
 1958 REAR LAMP AND BACK UP LAMP (RANCHERO AND SEDAN DELIVERY)

B7A-13449-S Taillight Lens Screws



1958

B8A-13449-S Taillight Lens Screws



1959

B9A-13449-S Taillight Lens Screws

Base numbers only shown on illustration. Order by part Numbers shown in list of parts.



TAILLIGHT PARTS

| | | | |
|--------------|--|--------------|-----------------------|
| BAAA-13410 | Taillight Socket & Wire | 1950-59 | 5.00 ea. |
| B7A-13420-PR | Taillight to Body Pads - All Except Custom Ranchero, & Sedan Delivery | 1957 1958 | 10.00 ea. 8.00 ea. |
| B8A-13420-D | Taillight Mounting Pad Kit - Six pieces - Fin & Oval Type Fits: All Victoria #57 & #63, Club #64, Town Sedan #58, Convertible #76 | 1958 | 25.00 set |
| B8A-13420-E | Taillight Mounting Pad Kit - Six pieces - Fin & Oval Type Fits: All 2-Door #70, 4-Door #73 Sedan | 1958 | 20.00 set |
| B8A-13420-F | Taillight Mounting Pad Kit - Six pieces - Fin & Oval Type Fits: Retractable #51A | 1958 | 20.00 set |
| B9A-13420-A | Taillight to Body Pads | 1959 | 10.00 pr. |
| B9A-13420-B | Back-Up Light to Body Pads | 1959 | 10.00 pr. |
| B7A-13450-B | Taillight Lens with Back-Up Light in Center - FOMOCO | 1957 | 50.00 ea. |
| B7A-13450-C | Taillight Lens - Ranchero & Sedan Delivery - all without Back-Up Lens | 1957 | 15.00 ea. |
| B8A-13450-A | Taillight Lens - Fits: All Except Ranchero, Sedan Delivery & Station Wagon | 1958 | 15.00 ea. |
| B8A-13450-B | Taillight Lens - Fits: Station Wagon Only | 1958 | 15.00 ea. |
| B9A-13450-A | Taillight Lens | 1959 | 15.00 ea. |
| B7A-13461-PR | Taillight Lens to Housing Gasket - Passenger Ranchero & Sedan Delivery | 1957 1958 | 8.00 ea. 8.00 ea. |
| B8A-13461-D | Taillight Lens to Housing Gasket - Set of four pieces Fits: All Except Ranchero & Sedan Delivery | 1958 | 8.00 set |
| B9A-13461-A | Taillight Lens to Housing Gasket - Passenger | 1959 | 8.00 pr. |
| B7A-13489-A | Sleeve for Rear Taillight Lens Without Back-Up Light | 1957 | 25.00 ea. |
| B7A-13489-B | Sleeve for Rear Taillight Lens With Back-Up Light | 1957 | 25.00 ea. |
| B7A-13494-PR | Turn for Taillight Doors - Pressure Die Cast & Triple Chrome Plated Right & Left Sides for All Fairlane 500 | 1957 | 45.00 pr. |
| 1A-14567 | Tag Light Wire Grommet - Goes where Tag Light Wire comes in bottom back of trunk | 1957-59 | 2.00 ea. |
| BD-13450-S | Blue Dot with Chrome Retainer to Install in Old Lens - Glass | | 7.00 ea. |

TAILLIGHT LENS SCREWS

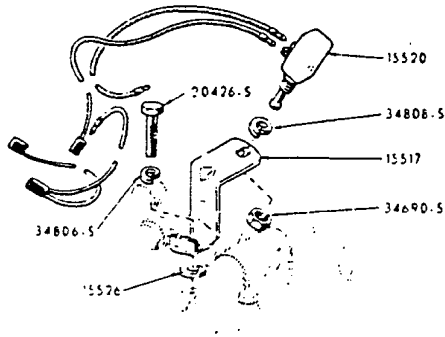
| | | | |
|-------------|--------------------------------------|------|----------|
| B7A-13449-S | Taillight Lens Screws - Set of eight | 1957 | 7.00 set |
| B8A-13449-S | Taillight Lens Screws - Set of six | 1958 | 7.00 set |
| B9A-13449-S | Taillight Lens Screws - Set of six | 1959 | 4.00 set |

*We are here to serve you.
In order to serve you better, we would like to know of your particular needs.
Drop us a card.
Thank you for your continued patronage.
Jerry*

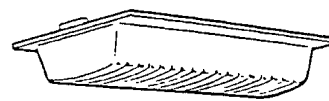
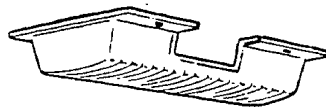
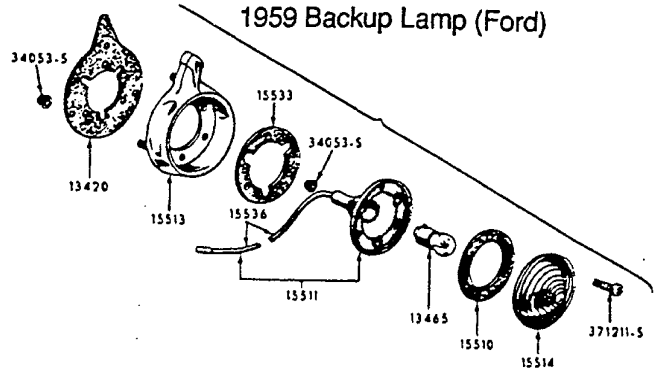
Base numbers only shown on illustration. Order by part Numbers shown in list of parts.

BACKUP SWITCH / 1959 BACKUP LAMP / DOME LIGHT

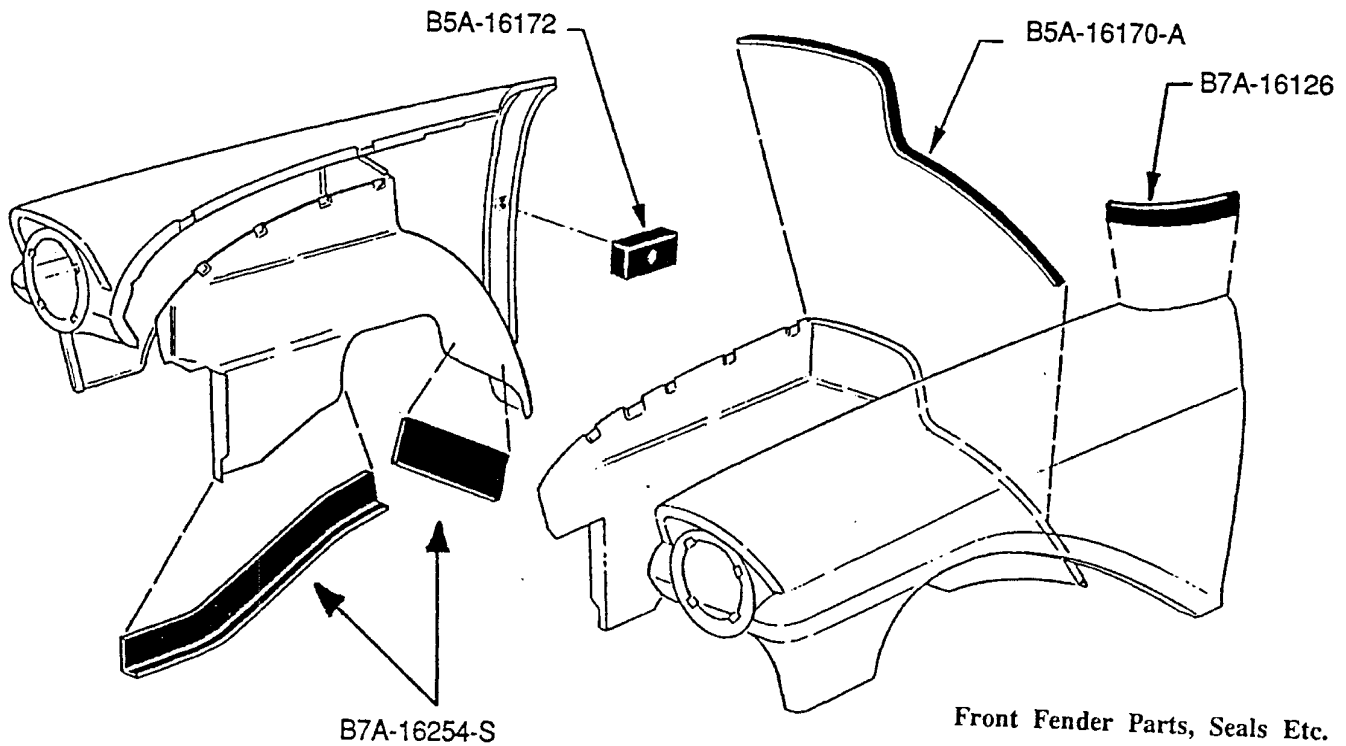
Backup Light Switch



1959 Backup Lamp (Ford)



B8A-13783-A Dome Light Lens B8S-13783-B



Base numbers only shown on illustration. Order by part Numbers shown in list of parts.



DOMI LIGHT LENS

| | | | |
|-------------|--|---------|-----------|
| B7A-13787-B | Dome Light Lens Bezel - All Except Convertible - Chrome Plated Plastic | 1957-58 | 20.00 ea. |
| B8A-13783-A | Dome Light Lens - All Except Convertible | 1957-58 | 8.00 ea. |
| B8S-13783-B | Dome Light Lens - All Except Convertible | 1959 | 7.00 ea. |
| COTF-13787 | Dome Light Lens Door - All Except Convertible | 1959 | 22.00 ea. |
| 8M-13713 | Courtesy Light Switch | 1949-60 | 7.00 ea. |

COWL WIRING GROMMET & RETAINER

| | | | |
|------------|--------------------------------------|---------|-----------|
| 1A-14603-B | Cowl Wiring Grommet through Firewall | 1951-59 | 4.00 ea. |
| 8A-14608 | Cowl Wiring Grommet Retainer | 1949-59 | 10.00 ea. |

CIGAR ELEMENT & WELL ASSEMBLY

| | | | |
|-----------|---|------|-----------|
| B6C-15055 | Light Element & Well Assembly - 12 volt | 1956 | 15.00 ea. |
|-----------|---|------|-----------|

BACK-UP LIGHT

| | | | |
|-------------|--|---------|------------|
| B8A-18275-C | Back-Up Lamp Kit - New Genuine Ford - Includes parts to install back-up lights on car without back-up lights Fits: All Except Ranchero, Sedan Delivery, Station Wagon | 1958 | 100.00 kit |
| B8A-15510-B | Back-Up Light Lens Gasket - Square Type Fits: All Except Ranchero, Sedan Delivery, Station Wagon | 1958 | 6.00 pr. |
| B9A-15510-A | Back-Up Light Lens Gasket | 1959 | 6.00 ea. |
| B8A-15514-E | Back-Up Lamp Lens - Square Type | 1958 | 9.90 ea. |
| B9A-15514-A | Back-Up Lens | 1959 | 25.00 ea. |
| B9A-13420-B | Back-Up Light Housing to Body Gasket | 1959 | 10.00 pr. |
| B7A-15517-A | Back-Up Switch Bracket | 1957-58 | 17.50 ea. |
| 1H-15520-A | Back-Up Light Switch - Straight Drive Only | 1955-58 | 8.00 ea. |
| B8A-15514-B | Back-Up Light to Body Gasket - Square Type Fits: All Except Ranchero, Sedan Delivery, Station Wagon | 1958 | 6.00 pr. |
| B9A-15533 | Back-Up Light to Housing Gasket | 1959 | 6.00 pr. |
| 371211-S | Back-Up Light Lens Screw - Set of six | 1959 | 4.00 set |
| 359846-RD | Back-Up Light Lens Screw - Round Lens - Set of four | 1958 | 4.00 set |
| 359846-SQ | Back-Up Light Lens Screw - Square Lens - Set of four | 1958 | 4.00 set |

SCRIPTS FOR BODY

| | | | |
|----------------|---------------------------------------|---------|-----------|
| B7A-16604-A | Fairlane Script for hood above grille | 1957 | 30.00 pr. |
| B7A-6425622-PR | Fairlane 500 Script for rear quarter | 1957-58 | 90.00 pr. |
| B8A-6442528-A | Fairlane Script on deck lid | 1958 | 40.00 pr. |

FRONT FENDERS PARTS, SEALS & ETC.

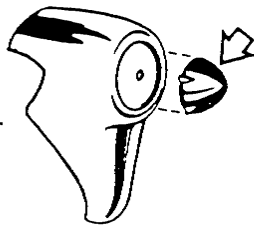
| | | | |
|--------------|---|---------|------------|
| B7A-16098-PR | Fairlane Scripts - Front Fender | 1957 | 100.00 pr. |
| | Rear Quarter | 1958 | 100.00 pr. |
| B7A-16126 | Top Rear of Front to Cowl Pad | 1957-59 | 4.00 pr. |
| B5A-16170-A | Anti-Squeak Seal from Front Fender Splash Apron to Fender - 72" | 1955-60 | 8.00 ea. |
| B5A-16172 | Pad at Back Center of Front Fender where it bolts to Cowl | 1955-58 | 3.00 pr. |
| B9A-16174-PR | Lower Front Fender Ornaments - Chrome Plated | 1959 | 250.00 pr. |
| B8AZ-16178-A | Front Fender Top Ornament - Two per car - Imported | 1958 | 60.00 ea. |
| B9AB-16178-B | Front Fender Ornament on Top - Two per car - Imported | 1959 | 60.00 ea. |
| B7A-16254-S | Front Fender Splash Apron to Frame Seal | 1957-58 | 20.00 set |
| | Installs on Fender Splash Apron - Fits: All | | |

HOOD PARTS

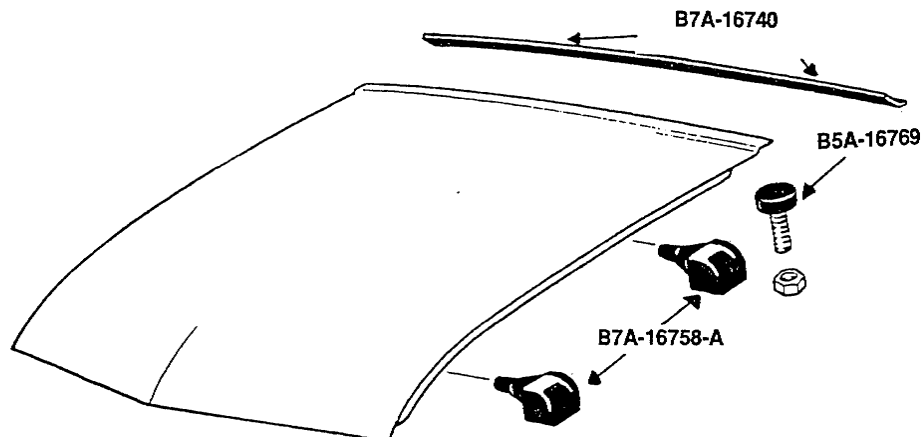
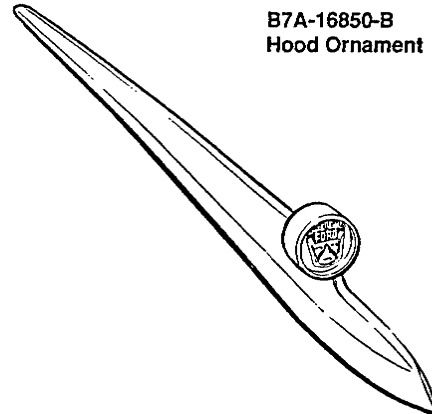
| | | | |
|-------------|--|---------|------------|
| B7A-16604-A | Fairlane Script for Hood - Above Grille | 1957 | 30.00 ea. |
| B7A-16606-S | F.O.R.D. Hood Letters - Custom & Ranchero | 1957 | 60.00 set |
| B9A-16644-A | Hood Emblem Bezel - Die Case Chrome | 1959 | 50.00 ea. |
| B8A-16675-A | Hood Ornament to Hood Pad | 1958 | 5.00 ea. |
| B7A-16740 | Cowl Lacing - Rubber Strip | 1957-58 | 8.00 ea. |
| B9A-16740 | Cowl Lacing - Rubber Strip | 1959 | 8.00 ea. |
| B7A-16758-A | Side of Hood to Fender Bumpers - Set of four | 1957-59 | 7.00 set |
| B5A-16769 | Top of Cowl to Hood Bumper | 1957-59 | 8.00 pr. |
| B9A-16769-A | Top of Cowl to Hood Bumper | 1959 | 8.50 pr. |
| B9A-16792-S | Hood Torsion Bar Anti-Rattler | 1959 | 3.00 ea. |
| B7A-16850-A | Hood Ornament Custom Series - Pressure Die Cast | 1957 | 100.00 ea. |
| B7A-16850-B | Hood Ornament - Pressure Die Cast - Fairlane 500 Triple Chrome Plated - Made In U.S.A. - Fairlane 500 | 1957 | 100.00 ea. |
| B7A-16916-B | Hood Pull Cable and Housing - Black Knob with White Letters | 1957-59 | 25.00 ea. |
| B7A-16993-A | Hood Pull Rubber Bumper | 1957-58 | 2.00 ea. |
| B9A-17088-A | Accessory Guard Rubber Bumpers - Front & Rear | 1959-64 | 22.00 pr. |
| B9A-16604-A | Hood Emblem Plastic | 1959 | 50.00 ea. |
| B8A-16604-A | Fairlane Script - Goes on panel between hood & grille | 1958 | 80.00 ea. |
| B8A-16608-A | Hood Scoop Plastic Insert | 1958 | 85.00 ea. |
| B8A-5800-K | Hood Insulation - All Models - Precut four piece set | 1958 | 70.00 kit |
| B9A-5900-K | Hood Insulation - All Models - Precut two piece set | 1959 | 30.00 kit |

HOOD PARTS

1959-64 Ford
Accessory Guard Rubber Bumper
(Front & Rear)
B9A-17088-A



B7A-16850-B
Hood Ornament



Base numbers only shown on illustration. Order by part Numbers shown in list of parts.



SPEEDOMETER CABLE & HOUSING

| | | | |
|--------------|---|---------|-----------|
| B5A-19581-A | Speedometer Cable Lube - Sold in a tube - All | | 5.00 ea. |
| B7A-400320-A | Speedometer Cable & Housing | 1957-59 | 35.00 ea. |

WIPER PARTS

| | | | |
|---------------|--|---------|------------|
| B8A-17508-A | Electric Wiper Motor - 2 Speed | 1958 | 275.00 ea. |
| B9A-17508-A | Electric Wiper Motor - 2 Speed | 1959 | 275.00 ea. |
| NE1 4010 | Two Speed Ford Shaft Ext. | 1957-59 | 35.00 ea. |
| NE1 4200 | Intermittent Delay Switch - Rotary Switch. 3 position, Intermittent, Low, High | 1957-59 | 82.00 ea. |
| B7A-175267-FL | Fairlane 500-Short Wiper Arms | 1957-58 | 125.00 pr. |
| B7A-17514-PR | Wiper Pivot Shaft Bezel - Spacer | 1957-58 | 25.00 pr. |
| B9A-17514-PR | Wiper Pivot Shaft Bezel - Spacer | 1959 | 25.00 pr. |
| B2T-17528-A | Wiper Blade - Replacement by Trico | 1955-60 | 12.00 ea. |
| BA-17541 | Wiper Pivot Bezel to Cowl Gasket | 1952-58 | 4.00 pr. |
| B9A-17541 | Wiper Pivot Bezel to Cowl Gasket | 1959 | 4.00 pr. |
| 99A-17543 | Wiper Hose - 14" Diameter - Sold by the foot | 1932-60 | .75 ft. |
| B7A-17550-S | Windshield Wiper Cable Linkage Repair Kit | 1957 | 2.00 ea. |
| B7A-17508-A | Windshield Wiper Motor Kit - 2-Speed | 1957 | 275.00 ea. |

"We can also rebuild your Vacuum Wiper Motor. Call for more information."

WINDSHIELD WASHER PARTS

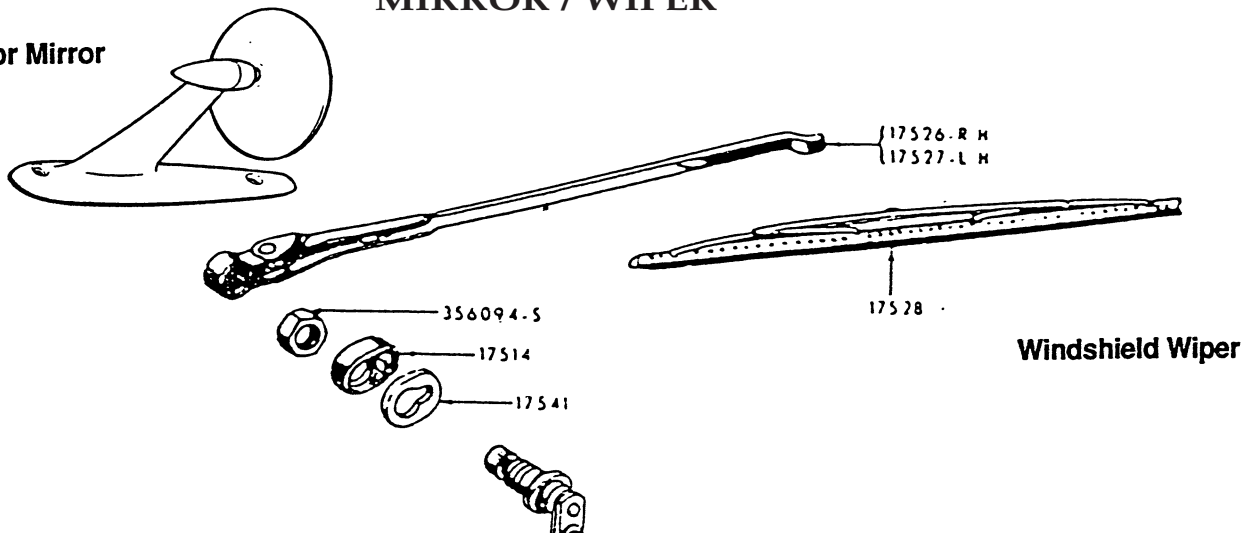
| | | | |
|-------------|--|---------|-----------|
| BM-17618 | Windshield Washer Reservoir Bag - w/Cap | 1955-59 | 30.00 ea. |
| BF-1 7615 | Windshield Washer TopTee Assembly | 1954-59 | 27.50 ea. |
| BM-17632-A | Cover for Washer Reservoir | 1954-59 | 4.00 ea. |
| 8A-17664-RP | Windshield Washer Rubber Repair Pump - Foot Operated | | 15.00 ea. |

REAR VIEW MIRROR

| | | | |
|-------------|--|---------|------------|
| B6C-17700-B | Inside Rear View Mirror with Arm - Chrome plated Imported - Fits: All Fairlane Series 55-56, Convertible, Retractable 57-59 | 1955-59 | 55.00 ea. |
| B7C-17696-A | Square Hooded - Outside Fender Mount Mirror Just like Original! No detail overlooked | 1957-59 | 135.00 ea. |
| B9A-17700-B | Day/Night Inside Rear View Mirror | 1959 | 120.00 ea. |
| B5A-17696 | Outside Rear View Mirror - Rubber Gasket | 1955-59 | 8.00 ea. |
| B8A-17696-A | Adjust-O Ring, Outside Fender Mount Mirror Just like Original! No detail overlooked | 1958-59 | 155.00 ea. |
| B5A-17697 | Paper Gasket for above mirror | 1955-59 | 1.50 ea. |
| B5A-18402-A | Outside Rear View Mirror - Round Head - Two hole Fomoco on Base | 1955-59 | 75.00 ea. |

MIRROR / WIPER

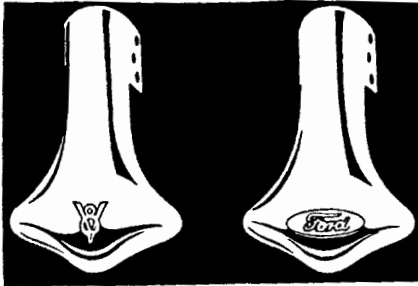
Outside Door Mirror



Windshield Wiper

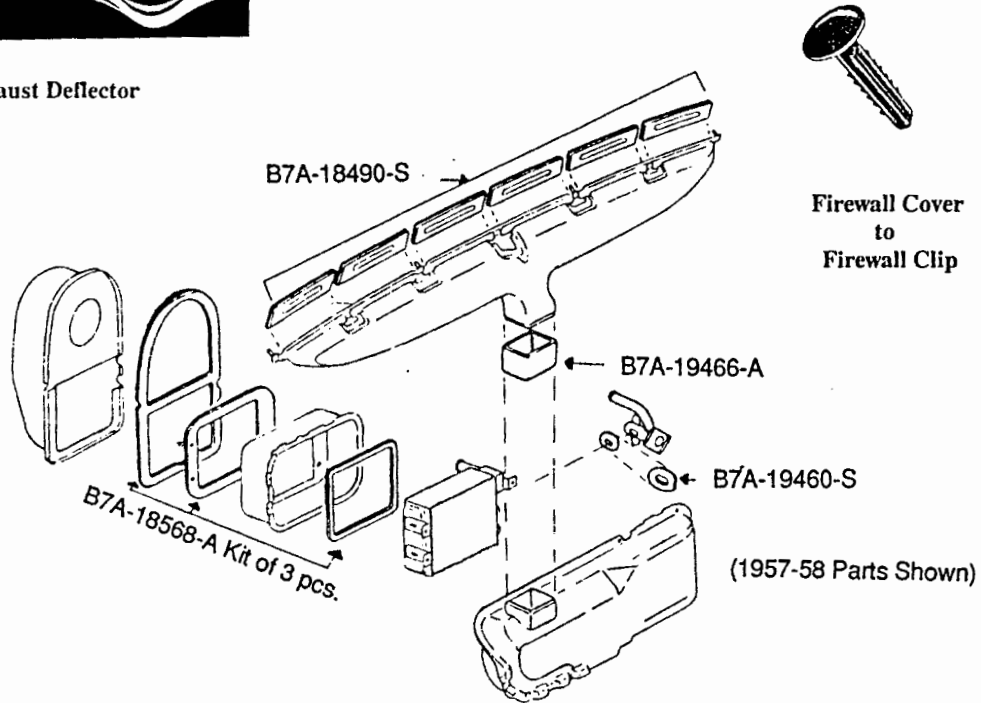
Base numbers only shown on illustration. Order by part Numbers shown in list of parts.

HEATER PARTS



Exhaust Deflector

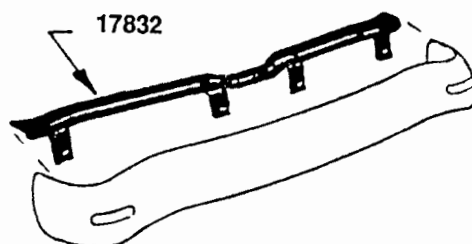
HEATER PARTS



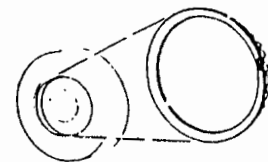
Firewall Insulator & Insulation



Rear Stone Deflector



Outer Beauty Rings



Base numbers only shown on illustration. Order by part Numbers shown in list of parts.



REAR STONE DEFLECTOR SEALS

| | | | |
|--------------|--|---------|-----------|
| B7A-17832 | Rear Stone Deflector Rubber - Goes between body and rear bumper Complete with installation screws | 1957-58 | 30.00 ea. |
| B7A-17832-RT | Rear Stone Deflector Rubber - Goes between body and rear bumper Fits: Retractable Only | 1957-58 | 30.00 ea. |
| B9A-17808-E | Rear Stone Deflector Rubber - Goes between body and rear bumper Fits: ALL | 1959 | 35.00 ea. |

BUMPER PARTS

| | | | |
|--------------|---|---------|--------------|
| B7A-17758 | Bumper Bolts - 4 per front & 6 per rear - Need 10 | 1949-59 | 3.50 ea. |
| B7A-17892-A | Front Bumper Vee Bar - Repro. - Triple Chrome Plated | 1957 | 625.00 ea. |
| B7A-17891-PR | Front Bumper Wing Guards - Repro. - Triple Chrome Plated | 1957 | 1,350.00 pr. |
| B7A-17891-T | Template for Installing Front Bumper Wing Guard | 1957 | 2.00 ea. |
| B9A-17983 | 1959 Rear Bumper Guard Kit Comes with two new chrome guards, rubber tips and hardware | 1959 | 595.00 pr. |
| B9A-17798 | 1959 Front Bumper Guard Kit Comes with two new chrome guards, rubber tips and hardware | 1959 | 620.00 pr. |

SHOCKS

| | | | |
|-------------|--|---------|----------|
| B7A-18124 | Front Shocks - For all models | 1957-64 | 45.00 ea |
| B7A-18124-R | Rear Shocks - For all models and conv. and retractable | 1957-59 | 45.00 ea |

HEATER PARTS

| | | | |
|---------------|--|---------|-----------|
| B7A-10720 | Heater Hose Bracket on Rear of Battery Tray Bolt | 1957-58 | 17.50 ea. |
| APA-18472-A | Heater Hose - Black - Sold by the foot | ALL | 1.00 ft. |
| BPA-18572 | Heater Hose Clamps | ALL | 1.00 ea. |
| B7A-18490-SET | Windshield Defroster Hose Nozzle Gasket - Six piece | 1957-58 | 15.00 kit |
| B7A-18568 | Heater Housing to Heater Core Gasket - Three piece | 1957-58 | 15.00 kit |
| FAD-15583 | Heater Motor to Housing: Gasket | 1952-59 | 7.00 ea. |
| B9A-18596 | Heater Tube to Firewall Seal | 1959 | 4.00 ea. |
| B7A-19460-A | Heater Water Control Valve to Heater Core Seal | 1957-58 | 5.00 ea. |
| B7A-19466-A | Heater Plenum Chamber to Defroster Nozzle Connector | 1957 | 8.00 ea. |
| B7A-18495-A | Valve Assembly Heater Water control | 1957-58 | 75.00 ea. |
| FEK-18395-A | Heater Water Control Valve Assembly with Dole Design Heater - Mercury | 1957-58 | 75.00 ea. |
| B7A-18495-E | Vacuum Heater Shut Off Valve | 1957-58 | 35.00 ea. |
| B7A-18502-A | Heater Temp Regulator Valve - with A/C | 1957-58 | 65.00 ea. |
| FAB-19203-A | Knob Hot Water Heater Door - Black Plastic | 1955-57 | 7.50 ea. |

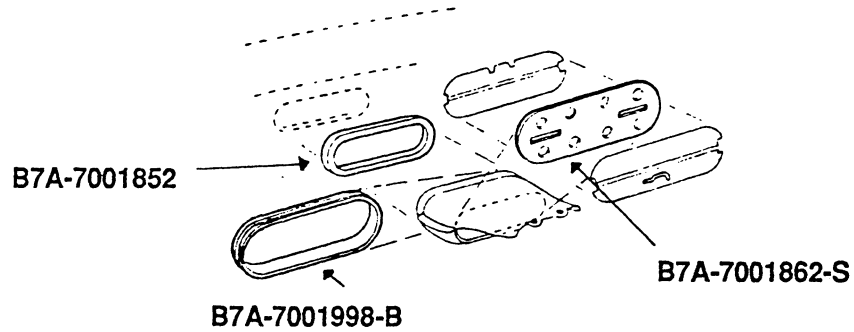
DEFROSTER HOSE

| | | | |
|-------------|--|--|-----------|
| FAB-18556-D | Defroster Hose - 2" - Sold by the foot | | 9.00 ft. |
| B5A-18556-C | Defroster Hose - 2-1/2" - Sold by the foot | | 10.00 ft. |

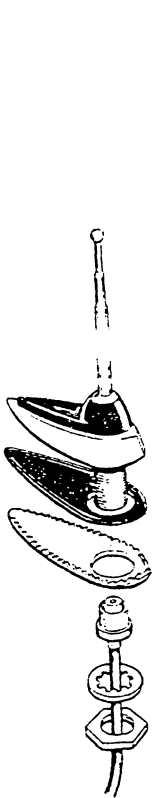
EXHAUST DEFLECTORS

| | | | |
|-------------|--|---------|------------|
| 51A-18529-A | Exhaust Deflector - Ford Script | ALL | 18.00 ea. |
| 51A-18529-B | Exhaust Deflector - V8 | ALL | 18.00 ea. |
| 51A-18529-P | Exhaust Deflector - Plain | ALL | 18.00 ea. |
| B7A-18259-A | Exhaust Deflector - Delta Wing | 1957 | 185.00 pr. |
| B9A-18259-A | Exhaust Deflector - Oval type - Original style | 1958-59 | 185.00 ea. |

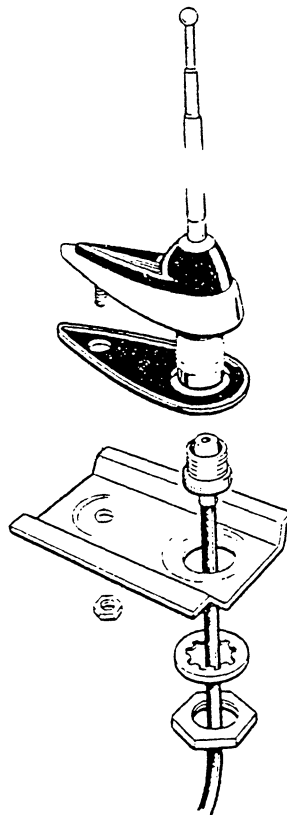
VENTILATOR SYSTEM PARTS



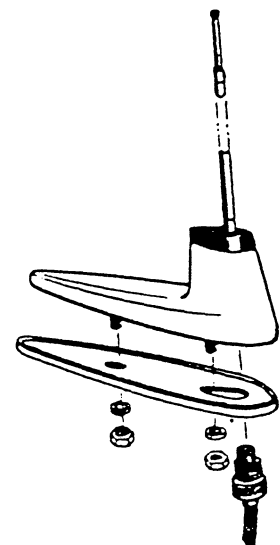
ANTENNAS



1957



1958-59 Passenger Car
1958-60 Thunderbird



1957-58 Rear Mount Antenna

Base numbers only shown on illustration. Order by part Numbers shown in list of parts.



STEERING TUBE TO FLOOR SEAL

| | | | |
|-------------|--|---------|-----------|
| 11A-7001730 | Steering Tube to Floor Mat Seal - Goes on top of mat | 1941-58 | 10.00 ea. |
|-------------|--|---------|-----------|

FIREWALL INSULATOR & INSULATION

| | | | |
|-----------------|--|---------|----------|
| 48-7001670-CLIP | Firewall Cover to Firewall Clip - Original | | 3.00 ea. |
| B7A-7001670-A | Firewall Insulator & Insulation | 1957-58 | 90.00 ea |
| B9A-7001670-A | Firewall Insulator & Insulation | 1959 | 65.00 ea |

VENTILATOR SYSTEM PARTS

| | | | |
|---------------|--|---------|-----------|
| B7A-7001852 | Ventilator Air Inlet Duct Door to Duct Seal - Inside | 1957-58 | 8.00 pr. |
| B7A-7001826-S | Air Vent Damper Rubber Seal | 1957-58 | 15.00 pr. |
| B7A-7001998-B | Air Vent Inlet Duct to Heater Seal - Outside - All | 1957-59 | 25.00 pr. |

ANTENNAS

| | | | |
|--------------|---|---------|------------|
| B7A-18813-F | Antenna Assembly - Fits: Ford Passenger Car | 1957 | 72.50 ea. |
| B8A-18813-A | Antenna Assembly - Fits: Ford Passenger Car | 1958-59 | 72.50 ea. |
| B8S-188133-C | Antenna Assembly - Fits: Thunderbird | 1958-60 | 72.50 ea. |
| B7A-18813-A | Rear Mount Antenna - Fits: Passenger Car & T-Bird | 1957-58 | 100.00 ea. |

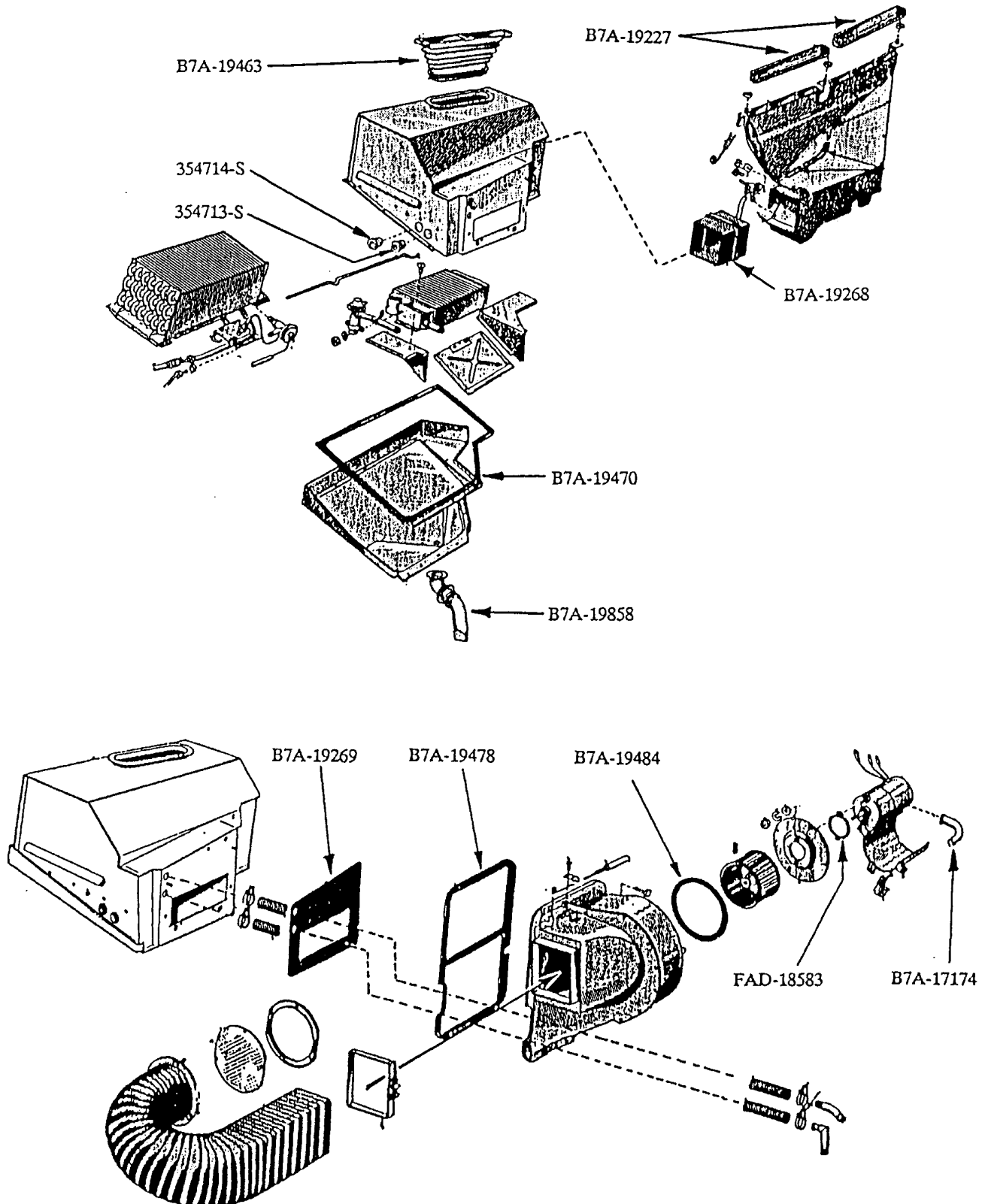
ANTENNA RELATED PARTS

| | | | |
|---------------|---|---------|-----------|
| 6A-18815-S | Antenna Mast Assembly for All Antennas | ALL | 20.00 ea. |
| B7A-188188-AS | Rear Mount Antenna to Trunk Lid Pad | 1957-58 | 6.50 ea. |
| B7A-18818-S | Top of Front Fender Antenna to Fender Pad | 1957 | 6.00 ea. |
| B8A-18818-S | Top of Front Fender Antenna to Fender Pad | 1955-59 | 6.00 ea. |
| B5A-18912-A | Antenna Lead-In Grommet for Front Mount | 1955-59 | 3.00 ea. |

VISOR RELATED PARTS

| | | | |
|----------------|--|---------|------------|
| B7A-5104144-AP | Sunvisor Arm & Brackets - Retractable - Original Tooling Right Side - Paint To Match | 1957-58 | 60.00 ea. |
| B7A-5104145-AP | Sunvisor Arm & Brackets - Retractable - Original Tooling Left Side - Paint To Match | 1957-58 | 60.00 ea. |
| B7A-5104144-C | Sunvisor Arm & Brackets - Retractable - Original Tooling Right Side - Chrome | 1957-58 | 75.00 ea. |
| B7A-5104145-C | Sunvisor Arm & Brackets - Retractable - Original Tooling Left Side - Chrome | 1957-58 | 75.00 ea. |
| B7A-7604104-PR | Sun Visor Padded - Off White to be Dyed - Fits Convertible | 1957-58 | 95.00 pr. |
| B8A-7604104-PR | Sun Visor Padded - Off White to be Dyed Fits All Except Ret & Conv | 1957-58 | 95.00 pr. |
| B7A-7604144-AP | Sunvisor Arm & Brackets - Convertible - Original Tooling Right Side - Paint To Match | 1957-58 | 35.00 ea. |
| B7A-7604145-AP | Sunvisor Arm & Brackets - Convertible - Original Tooling Left Side - Paint To Match | 1957-58 | 35.00 ea. |
| B8A-7004132-B | Sunvisor Anchor Pin Center Clip - Gray Plastic Fits: All Retractable & Convertible | 1958-59 | 15.00 ea. |
| B8A-7004132-A | Sunvisor Anchor Pin Center Clip - Gray Plastic Fits: All Except Retractable & Convertible | 1958 | 15.00 ea. |
| B9A-5704132-A | Sunvisor Anchor Pin Center Clip - Gray Plastic Fits: All Except Retractable & Convertible | 1959 | 15.00 ea. |
| B8A-7004114-A | Sunvisor Anchor Pin - Gray Plastic - Need 2 per car | 1958-59 | 8.00 ea. |
| B9A-7604104-PR | Retractable & Convertible Padded Sunvisor | 1959 | 195.00 pr. |

FACTORY AIR PARTS



Base numbers only shown on illustration. Order by part Numbers shown in list of parts.



AFTER MARKET AIR SYSTEMS

| | | | |
|------------|--|---------|--------------|
| B7A-2162-A | Complete Air Conditioning System. Fits any 312-292. Comes with everything you need to install. | 1957 | 975.00 unit |
| B8A-2162-C | Complete Air Conditioning System for Big Blocks. Fits 332, 352, 390. Comes with all necessary parts to install. | 1958-59 | 1250.00 unit |

FACTORY AIR PARTS

| | | | |
|-------------|--|---------|-----------|
| FAD-18583 | Blower Motor to Mount Gasket | 1957-58 | 7.00 ea. |
| B7A-19227 | Plenum Chamber & Defroster Nozzle Housing to garnish molding seals | 1957 | 7.00 pr. |
| B7A-19269 | Evaporator to Firewall Gasket | 1957 | 6.00 ea. |
| B7A-19470 | Evaporator Drain ran Gasket | 1957 | 10.00 ea. |
| B7A-19478 | Blower Housing to Firewall Gasket | 1957 | 10.00 ea. |
| B7A-19484 | Blower Motor Mount to Housing Gasket | 1957-58 | 3.50 ea. |
| 354713-S | Evaporator Housing to Hose Grommet - Cowl Right Side to Hose Grommet - Small Hole - Need two per car | 1957 | 3.50 ea. |
| 354714-S | Evaporator Housing to Hose Grommet - Cowl Left Side to Hose Grommet - Large Hole - Need two per car | 1957 | 3.50 ea. |
| B7A-19268 | Evaporator to Plenum Chamber Seal | 1957 | 32.50 ea. |
| B7A-19463 | Connector Assembly Plenum Chamber to Windshield Defroster Air Conditioner Special Bellows - Rubber Only | 1957 | 25.00 ea. |
| B7A-17174 | Tube Blower Motor to Blower Housing | 1957-58 | 12.00 ea. |
| FEG-19945-A | Heater Blower Switch to Motor Wiring - Air Conditioner Only | 1957 | 80.00 ea. |

UNDER DASH COWL KICK PANELS

| | | | |
|----------------|---|---------|-----------|
| B7A-7002341-G | Under Dash Cowl Kick Panels - Gray - May be dyed to desired color | 1957-58 | 15.00 pr. |
| B7A-7002341-BL | Under Dash Cowl Kick Panels - Black | 1957-58 | 15.00 pr. |

OVERDRIVE CABLE GROMMET

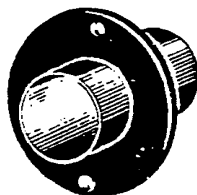
| | | | |
|------------|-------------------------|---------|----------|
| 1A-7001694 | Overdrive Cable Grommet | 1951-59 | 5.00 ea. |
|------------|-------------------------|---------|----------|

WINDSHIELD RELATED PARTS

| | | | |
|---------------|---|---------|-----------|
| B7A-7002207-A | Windshield Cowl Drain Tube - Rubber - Fits: All | 1957-58 | 16.50 pr. |
| B7A-7002204-A | Cowl Top Ventilator Grille Anti-Squeak - U-Shaped | 1957-59 | 6.00 kit |
| B7A-7002286-A | Cowl Top Ventilator Grille Anti-Squeak - Round | 1957-58 | 2.50 ea. |

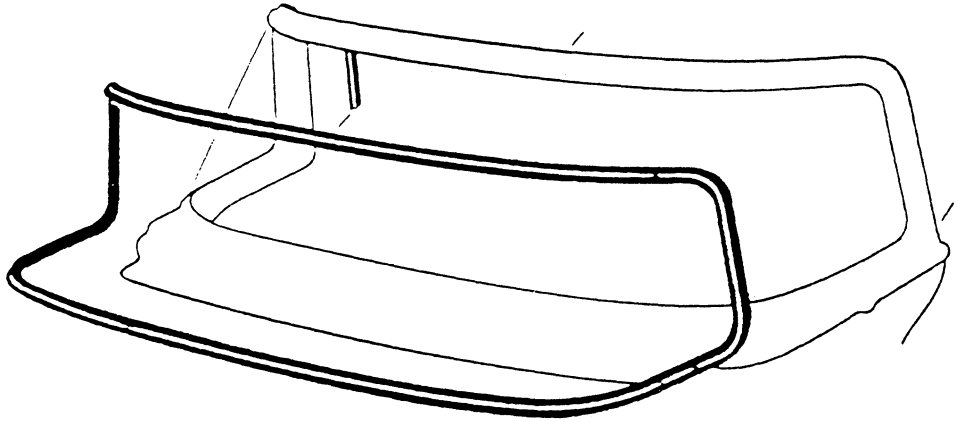
WINDSHIELD COWL DRAIN TUBE

B7A-7002207-A





WINDSHIELD SEALS



WINDSHIELD SEALS

| | | | |
|---------------|---|---------|-----------|
| BAE-6403110-B | Windshield Rubber Seal - Mercury All Body Styles Except: Turnpike Cruiser, #65 2-Door, #75 4-Door | 1957-58 | 80.00 ea. |
| B7A-7003110-C | Windshield Rubber Seal - Ford #59 Ranch Wagon - 2-Door #66 Ranchero #70 Custom - 2-Door Sedan #73 Custom - 4-Door Sedan #78 Sedan Delivery #79 4-Door Station Wagon | 1957-58 | 60.00 ea. |
| B7A-6403110-A | Windshield Rubber Seal - Ford Convertible Retractable Fairlane 500 Hardtops: 2-Door & 4-Door Sedans: All 2-Door & 4-Door | 1957-58 | 60.00 ea. |
| B7A-6403110-B | Windshield Rubber Seal - Ford #57B Fairlane Town Victoria #58A Fairlane Town Sedan #63B Fairlane Club Victoria #64A Fairlane Club Sedan | 1957-58 | 60.00 ea. |
| B9A-6403110-B | Windshield Rubber Seal - Ford All Except: Retractable & Convertible | 1959 | 75.00 ea. |
| B9A-7603110-B | Windshield Rubber Seal - Ford Fits Only: Retractable & Convertible | 1959 | 75.00 ea. |

Base numbers only shown on illustration. Order by part Numbers shown in list of parts.





GARNISH MOLDING TO DASH RUBBER

| | | | |
|---------------|---|---------|----------|
| B7A-7003127-B | Garnish Molding to Dash Rubber - 46" long - To be used with Air Condition | 1957-58 | 5.50 ea. |
| B7A-7003127-E | Garnish Molding to Dash Rubber - 84" long - For All Except Air Condition | 1957-58 | 8.00 ea. |
| B9A-7003127 | Garnish Molding to Dash Rubber - 86" long | 1959 | 8.00 ea. |

PADDED DASH

| | | | |
|----------------|----------------------------------|---------|------------|
| B7A-4004290-BL | Padded Dash - Black | 1957-58 | 400.00 ea. |
| B9A-4004290-BL | Padded Dash - Black - For Dyeing | 1959 | 400.00 ea. |

GLOVE BOXES

| | | | |
|----------------|---|---------|-----------|
| B7A-7006010-A | Glove Box Liner - All Except: With Air Conditioning | 1957-58 | 25.00 ea. |
| B7A-7006010-CC | Glove Box Liner - For Factory Air Conditioning Only | 1957-58 | 25.00 ea. |
| B7A-7006122 | Glove Box Check Arm Grommet | 1957-59 | 2.00 ea. |
| B9A-7006010-A | Glove Box Liner | 1959 | 25.00 ea. |
| 0A-16378 | Glove Box Door Bumpers | 1952-59 | 3.00 pr. |

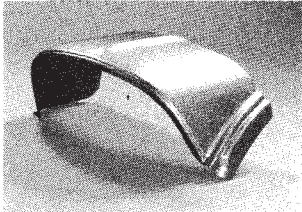
ROCKER MOLDINGS

| | | | |
|-----------------|---|---------|------------|
| B7A-7010176-PR | Rocker Moldings - With Hockey Sticks - w/Clips - Set of four pieces | 1957-58 | 525.00 set |
| B9AB-6410176-PR | Rocker Moldings - w/Clips | 1959 | 500.00 pr. |
| B7A-7010182-SET | Rocker Molding Clip Set - Set of 18 | 1957-59 | 72.00 set |
| B9A-7010182-SET | Rocker Molding Clip Set - Set of 10 | 1959 | 40.00 set |

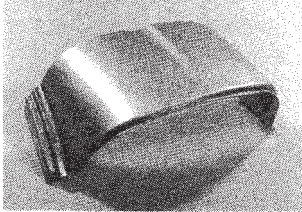
SHEET METAL

| | | | |
|-----------|--|---------|------------|
| 181 | Rocker Panel | 1957-58 | 110.00 ea. |
| 178 | Lower Rear Quarter Panel - Custom 300 - Short Wheelbase | 1957-58 | 185.00 ea. |
| 185 | Lower Rear Quarter Panel - Fairlane 500 - Long Wheelbase | 1957-58 | 185.00 ea. |
| 179 | Lower Front Quarter Panel - Custom 300 - Short Wheelbase | 1957-58 | 185.00 ea. |
| 186 | Lower Front Quarter Panel - Fairlane 500 - Long Wheelbase | 1957-58 | 185.00 ea. |
| 189 | Rear Quarter Panel Inner Brace | 1957-58 | 53.00 ea. |
| 184 | Transmission Tunnel | 1957-58 | 160.00 ea. |
| 172 | Front Fender Upper Cap | 1957 | 150.00 ea. |
| 187 | Front Fender Upper Cap | 1958 | 155.00 ea. |
| 173 | Headlight Mounting Panel | 1957 | 155.00 ea. |
| 188-U | Headlight Mounting Panel Upper | 1958 | 130.00 ea. |
| 188-L | Headlight Mounting Panel Lower | 1958 | 130.00 ea. |
| 174 | Lower Front Fender | 1957-58 | 75.00 ea. |
| 195 | Lower Front Door Post | 1957-58 | 67.00 ea. |
| RP-68CE | Rocker Patch Panel - All Tudor models w/ quarter extension | 1959 | 105.00 ea. |
| 011 | Lower Front Fender Patch Panel | 1959 | 50.00 ea. |
| 121 | Rear Quarter Patch Panel - Full Length | 1959 | 150.00 ea. |
| 120 | Front of Rear Quarter-Half Panel - goes from door back to meet p/n 121 | 1959 | 130.00 ea. |
| 228 | Left Trunk Pan - Retractable Only | 1957-59 | 255.00 ea. |
| 229 | Right Trunk Pan - Retractable Only | 1957-59 | 265.00 ea. |
| 182 | Front Floor Pan | 1957-58 | 185.00 ea. |
| 180 | Rear Floor Pan - Sedans & Hardtops | 1957-58 | 185.00 ea. |
| 250 | Rear Floor Pan - Convertible & Retractable | 1957-58 | 265.00 ea. |
| 183 | Front Toe Board | 1957-58 | 120.00 ea. |
| 192 | Trunk Floor Repair - Custom 300 - Short Wheelbase | 1957-58 | 135.00 ea. |
| 193 | Trunk Floor Repair - Fairlane 500 - Long Wheelbase | 1957-58 | 145.00 ea. |
| 190 | Inner Rear Quarter Panel - Custom 300 - Short Wheelbase | 1957-58 | 135.00 ea. |
| 191 | Inner Rear Quarter Panel - Fairlane 500 - Long Wheelbase | 1957-58 | 135.00 ea. |
| 198 | Center/Front - Second Row Floor Brace | 1957-58 | 75.00 ea. |
| 197 | Center/Rear - Third Row Floor Brace | 1957-58 | 75.00 ea. |
| 196 | Rear - Fourth Row Floor Brace | 1957-58 | 75.00 ea. |
| 238 | Front - First Row Floor Brace | 1957-58 | 75.00 ea. |
| 300 | Spare Tire Well Patch Panel - Retractable Only | 1957-59 | 350.00 ea. |
| B9A-8104 | Fresh Air Mounting Duct Bracket-Right Side | 1959 | 145.00 ea. |
| B9A-8105 | Fresh Air Mounting Duct Bracket-Left Side | 1959 | 145.00 ea. |
| B7A-11239 | Inner Quarter - Retractable Only - Left Side | 1957-58 | 260.00 ea. |
| B7A-11250 | Inner Quarter - Retractable Only - Right Side | 1957-58 | 260.00 ea. |

OUTER BODY SHEETMETAL

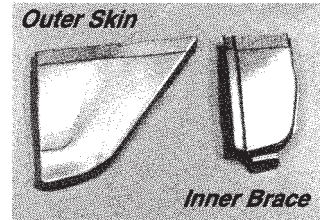
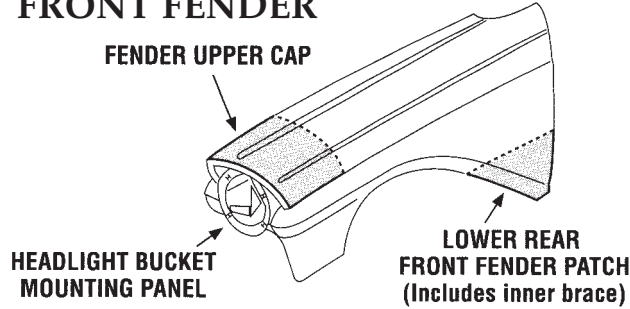


1957 Front Fender Upper Cap
PN-172

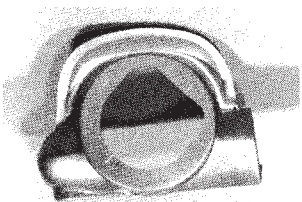
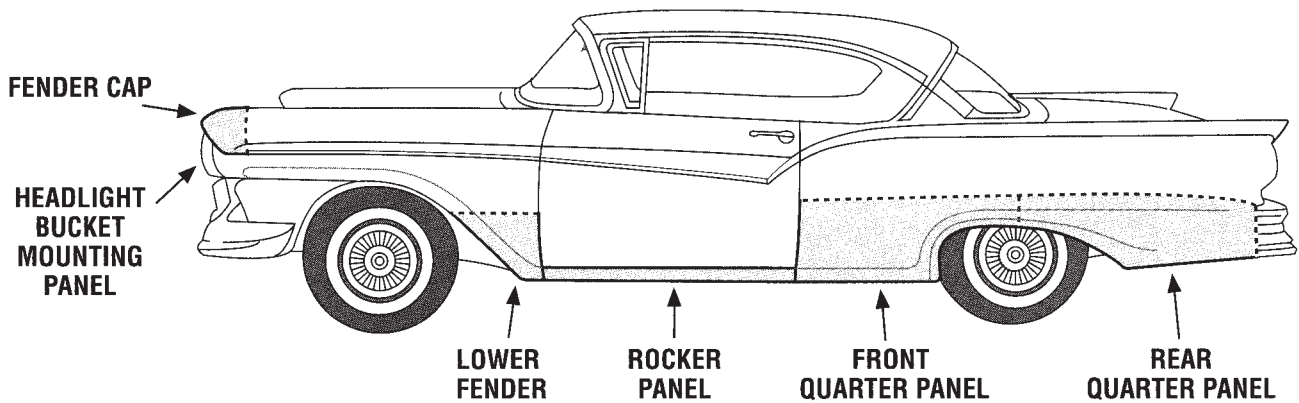


1958 Front Fender Upper Cap
PN-187

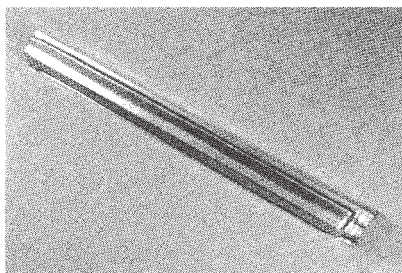
FRONT FENDER



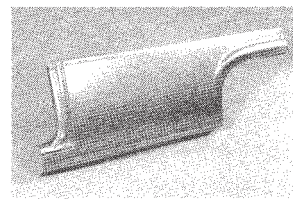
1957-58 Lower Rear of the Front Fender
PN-174



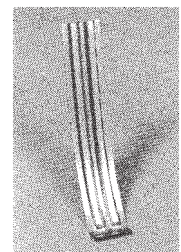
1957 Headlight Mounting Panel
PN-173



1957-58 Rocker Panel
PN-181



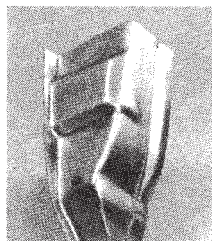
1957-58 Lower Front Quarter Panel
PN-186



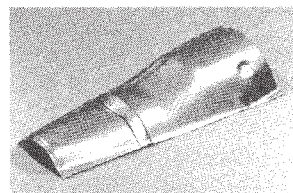
1957-58 Rear Quarter
Panel Inner Brace
PN-189



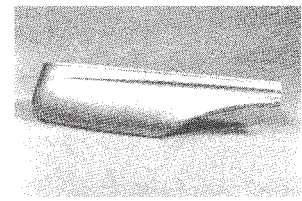
1958 Headlight Mounting Panel
PN-188-U
PN-188-L



1957-58 Lower Front Door Post
PN-195

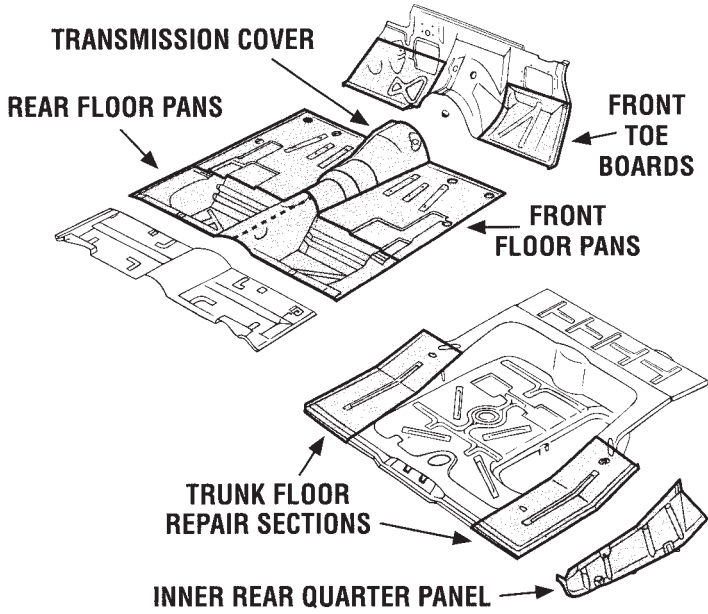


1957-58 Transmission Tunnel
PN-184

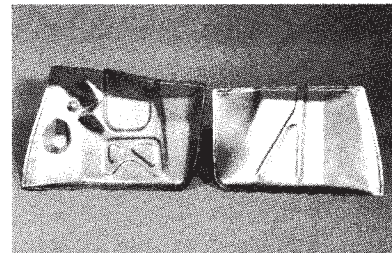


1957-58 Lower Rear Quarter Panel
PN-185

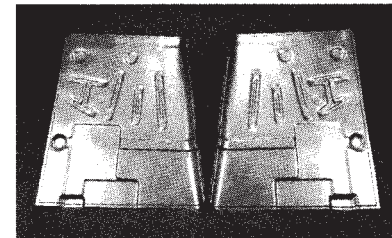
FLOOR PANS



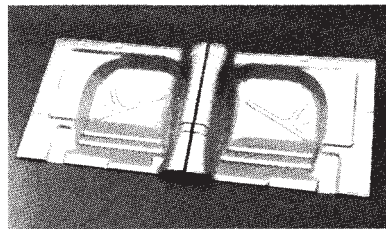
Retractable Spare Tire Well
 PN-300



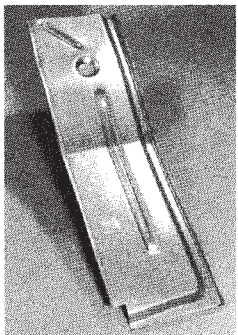
1957-58 Front Toe Board
 PN-183



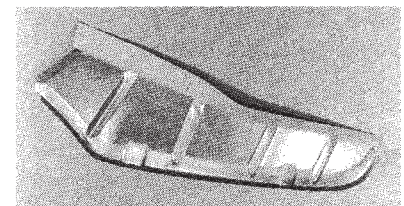
1957-58 Front Floor Pans
 PN-182



1957-58 Rear Floor Pans
 PN-180



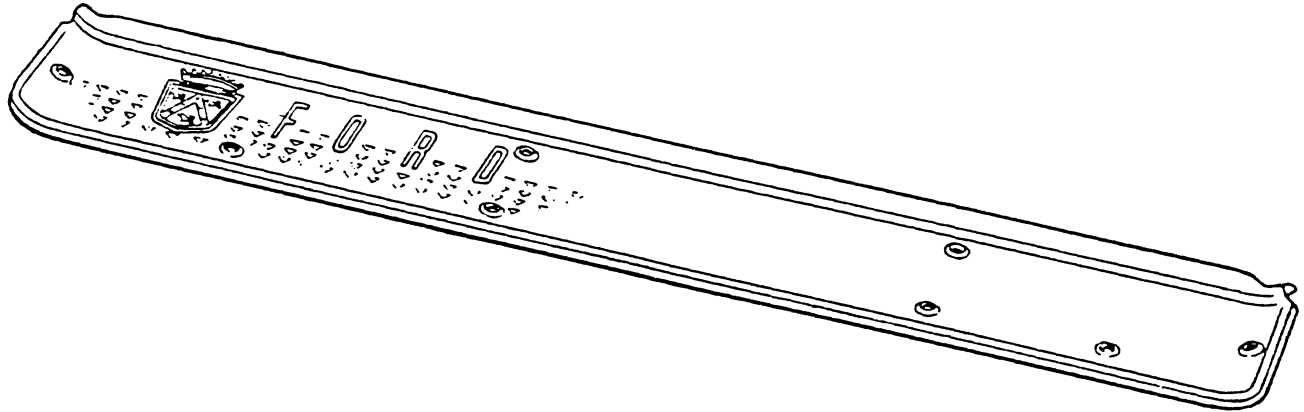
1957-58 Trunk Floor Repair
 PN-193



1957-58 Inner Rear Quarter Panel
 PN-191

1957-58 SCUFF PLATE

Exactly as original in every way



1957-58

SCUFF PLATES

Complete With Installing Screws

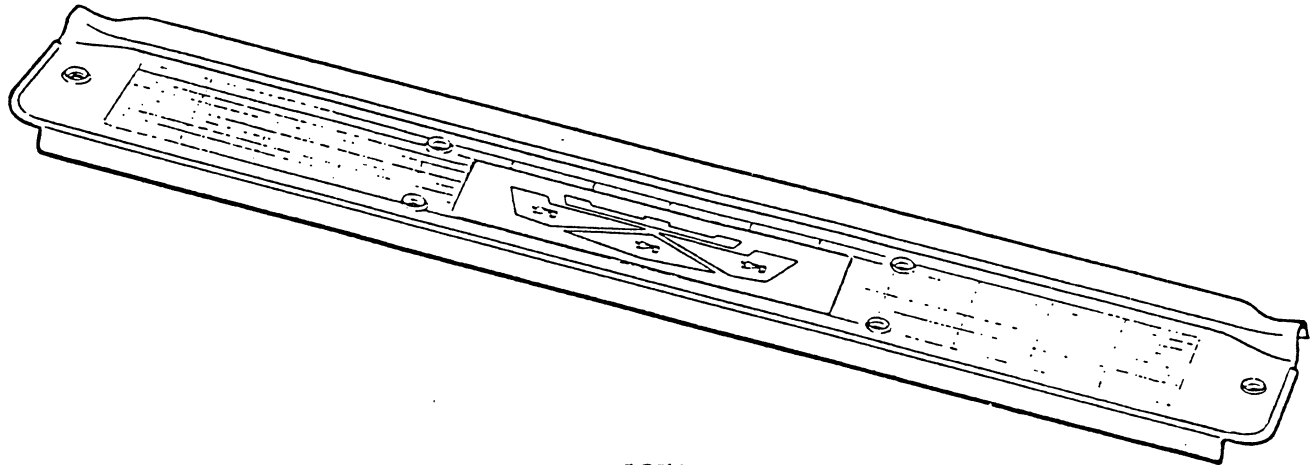
| | | | |
|----------------|---|---------|------------|
| B7A-5813208-PR | Scuff Plates Fits: #57 4-Door Hardtop #58 4-Door Hardtop with Post | 1957-58 | 115.00 pr. |
| B7A-5813228-PR | Scuff Plates Fits: #57 4-Door Hardtop Fits: #58 4-Door Hardtop with Post | 1957-58 | 115.00 pr. |
| B7A-7013208-PR | Scuff Plates Fits: All 2-Door models & 2-Door Wagons | 1957-58 | 115.00 pr. |
| B7A-7313208-PR | Scuff Plates - Front Doors Only Fits: #73 4-Door Sedan #79 4-Door Station Wagon | 1957-58 | 115.00 pr. |
| B7A-7313228-PR | Scuff Plates - Rear Doors Only Fits: #73 4-Door Sedan | 1957-58 | 115.00 pr. |
| B7A-7913228-PR | Scuff Plates - Rear Doors Only Fits: #79 4-Door Station Wagon | 1957-58 | 115.00 pr. |
| B9A-7013208-PR | Scuff Plates Fits: All 2-Door Models & 2-Door Wagons | 1959 | 115.00 pr. |
| B9A-7313208-PR | Scuff Plates - Front Door of 4-Door Sedan | 1959 | 115.00 pr. |
| B9A-7313228-PR | Scuff Plates - Rear Door of 4-Door Sedan | 1959 | 115.00 pr. |

Base numbers only shown on illustration. Order by part Numbers shown in list of parts.



1959 SCUFF PLATE

Exactly as original in every way



1959

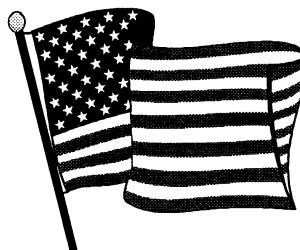
FRONT FLOOR MAT

B7A-7013000

Front Floor Mat - Ford / Mercury

1957-58

140.00 ea.



BUY AMERICAN

*We are here to serve you.
In order to serve you better, we would like to know of your particular needs.
Drop us a card.
Thank you for your continued patronage.
Jerry*

Base numbers only shown on illustration. Order by part Numbers shown in list of parts.



WEATHER STRIPPING FOR DOORS 1957-59

Placement of seals are shown



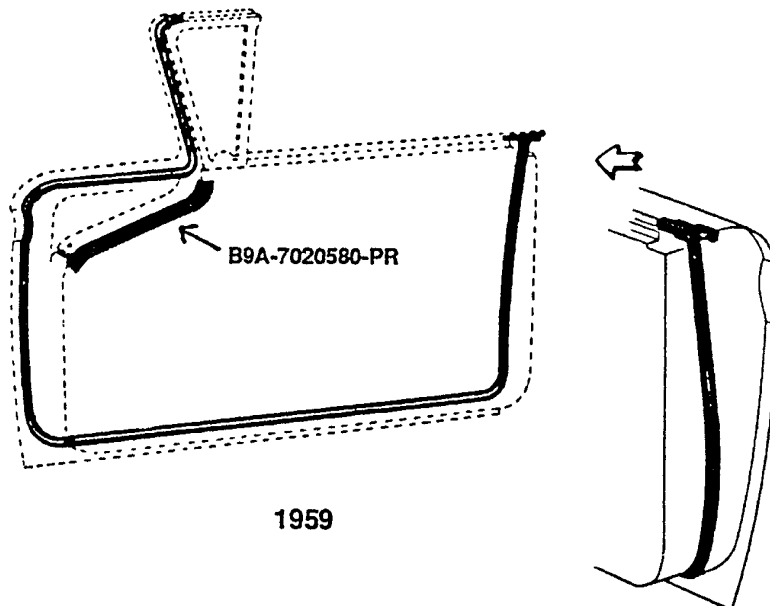
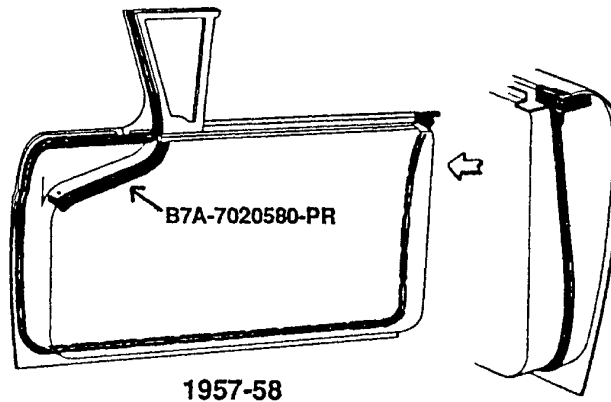
**BA-13398-B Lower Door Bumper
with Threaded End**



20327-SK Door Hinge Bolt



**358939-S Lower Door Bumper
(Slips over screw head)**



Base numbers only shown on illustration. Order by part Numbers shown in list of parts.



DOOR SEALS

Fits Ford & Mercury

| | | | |
|-----------------|---|---------|------------|
| B7A-6420530-PR | Door Seal Kit - #64 2-Door Fairlane & Fairlane 500 Club Sedan | 1957-58 | 120.00 pr. |
| B7A-7020530-PR | Door Seal Kit | 1957-58 | 100.00 pr. |
| | #59 2-Door Ranch Wagon | | |
| | 2-Door Ranch Wagon "Del Rio" | | |
| | #66 Ranchero | | |
| | #70 Custom 2-Door Sedan | | |
| | Custom 300 Business 2-Door | | |
| | #78 Sedan Delivery | | |
| B7A-7320530-SET | Door Seal Kit - #73 4-Door Sedan | 1957-58 | 240.00 set |
| B7A-7620530-PR | Door Seal Kit | 1957-58 | 100.00 pr. |
| | #51A All Retractable | | |
| | #63 Fairlane 500 Club Victoria 2-Door Hardtop | | |
| | Fairlane Club Victoria 2-Door Hardtop | | |
| | #76 Convertible | | |
| B9A-7020530-PR | Door Seal Kit | 1959 | 100.00 pr. |
| | #59 2-Door Station Wagon | | |
| | #64 2-Door Sedan | | |
| | #66C Ranchero | | |
| B9A-7620530-PR | Door Seal Kit | 1959 | 100.00 pr. |
| | Retractable | | |
| | Convertibles | | |
| | 2-Door Hardtop | | |
| B9A-7320530-SET | Door Seal Kit - #54 Galaxie 4-Door Town Sedan | 1959 | 240.00 set |
| COAZ-19554-A | 3M Weatherstrip Adhesive | ALL | 12.00 ea. |

NOTE: All door seals are reproduced exactly as when car was new. Complete with special molded corners & installation instructions. NO DETAIL OVERLOOKED!

DOOR PARTS

Miscellaneous

| | | | |
|----------------|--|---------|-----------|
| B7A-7020580-PR | Weatherstripping for Door - Goes on inner dog leg | 1957-58 | 40.00 pr. |
| B9A-7020580-PR | Weatherstripping for Door - Goes on inner dog leg | 1959 | 40.00 pr. |
| 352285-S | Plug to Cover Hole in Dog Leg on front of door where bolt to adjust vent window frame is located - 1-1/2" plug | 1957 | 2.00 ea. |
| | 2-Door & 4-Door Hardtops & Convertible - All | | |
| B-7022624-A | Special Spring that goes between door upholstery panel behind each escutcheon | 1932-60 | 1.00 ea. |
| B-20015 | Door Panel Clips - Set of 50 - Holds Panel to Door | 1952-59 | 15.00 set |
| BA-13398-B | Lower Door Bumper with threaded end | 1955-58 | 5.00 pr. |
| | Fits: 2-Door Hardtop & Convertible | | |
| 358939-S | Lower Door Bumper - Slips over screw head | 1955-58 | 7.00 pr. |
| | Fits: 2-Door Hardtop & Convertible | | |
| 372167-L | Door Bumper-Fits on door jamb where rear of door closes against body & on rear lower part of door - 5/8" high - Retractable Only | 1957-59 | 5.00 pr. |
| 20327-S8 | Door Hinge Bolt | 1955-58 | .75 ea. |
| 20327-SK | Door Hinge Bolt - Set of 50 | 1955-58 | 22.00 set |

DOOR PARTS - CONTINUED

| | | | |
|---------------|---|---------|-----------|
| 20327-DP | Lower Front Door - Door Panel Holder Strips - Stainless Steel | 1957-59 | 67.50 ea. |
| B7A-7021850-A | Door Locking Control Knob - Black | 1957-59 | 6.50 ea. |
| B9A-5943030-A | Door Hinge Pin - cut to length | 1957-59 | 3.00 set |

DOOR & IGNITION CYLINDER

| | | | |
|----------------|--|---------|-----------|
| BAAA-7022050-S | Matched Door & Ignition Cylinder & Key Assembly Set Fits: All Except Retractable & Country Squire Station Wagon for 1957 - three pieces/two keys | 1952-58 | 50.00 set |
| B7A-7022023-A | Door Lock Cylinder Retainer | 1957-58 | 17.00 ea. |
| B7A-7021984-A | Door Lock Cylinder - Right Side - What key fits into Fits all except 1957 Retractable | 1957-58 | 35.00 ea. |
| B7A-7021985 | Door Lock Cylinder - Left Side - What key fits into Fits all except 1957 Retractable | 1957-58 | 35.00 ea. |
| B2A-7021942-A | Right Hand Door Lock Cylinder Cover - with Spring | 1957-58 | 10.00 ea. |
| B2A-7021943-A | Left Hand Door Lock Cylinder Cover - with Spring | 1957-58 | 10.00 ea. |
| B7A-7022075-A | Door Lock Cylinder Operating Spring for Cover | 1957-58 | 2.50 ea. |

OUTSIDE DOOR HANDLES

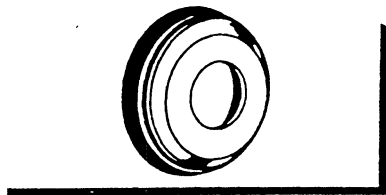
Without Buttons - Pressure Die Cast & Triple Chrome Plated - No Detail Overlooked

| | | | |
|----------------|--|---------|------------|
| B7A-7022400 | Outside Door Handle - Right Fits: All Except 4-Door Rear Door | 1957-58 | 62.50 ea |
| B7A-7022401 | Outside Door Handle - Left Fits: All Except 4-Door Rear Door | 1957-58 | 62.50 ea. |
| B7A-7022400-PR | SAVE: Buy A Pair! | 1957-58 | 115.00 pr. |
| B9A-6422404-A | Outside Door Handle - Right Less Button - Pressure Die Cast | 1959 | 62.50 ea. |
| B9A-6422405-A | Outside Door Handle - Left Less Button - Pressure Die Cast | 1959 | 62.50 ea. |
| B9A-6422404-PR | SAVE: Buy A Pair! | 1959 | 115.00 pr. |

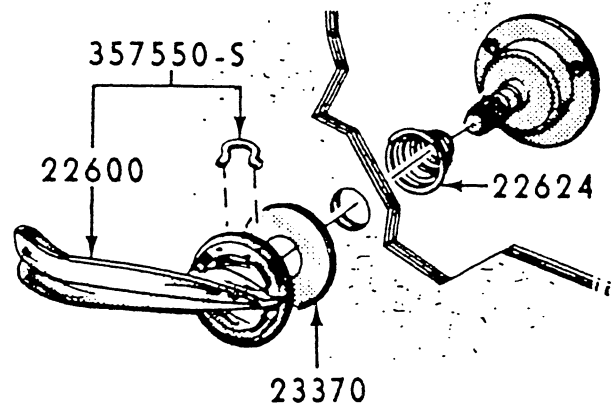
OUTSIDE DOOR HANDLE PADS

| | | | |
|-------------|--------------------------|---------|----------|
| B7A-7222428 | Outside Door Handle Pads | 1957-58 | 6.00 pr. |
| B9A-8122428 | Outside Door Handle Pads | 1959 | 6.00 pr. |

DOOR HANDLES



**Inside Window Crank & Door Handle Escutcheons
2 Piece Rubber & Stainless**



Inside Door Handle & Clip

Base numbers only shown on illustration. Order by part Numbers shown in list of parts.



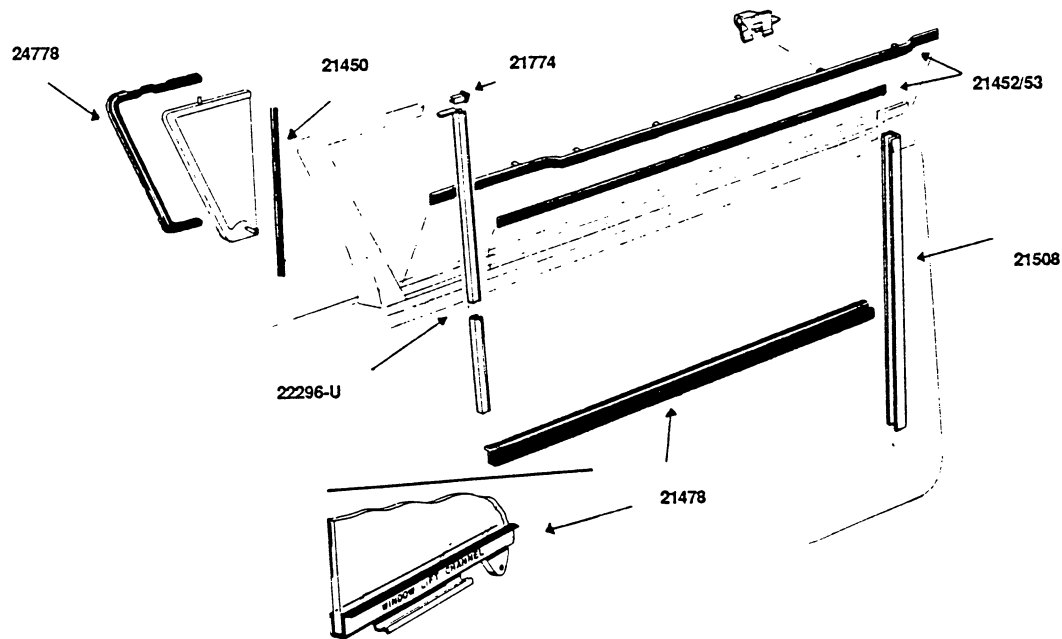
VENT WINDOW RUBBERS & RELATED PARTS

| | | | |
|----------------|---|---------|------------|
| B7A-5721448-PR | Vent Window Rubber Seals - Fits: #51A Retractable #76 Convertible, #63 2-Door & #57 4-Door Victoria | 1957-58 | 100.00 pr. |
| B7A-7021248-PR | Vent Window Rubber Seals #59 Ranch, #59 Station Wagon, #59 Ranchero #66 2-Door, #70 4-Door, #73 Sedan, #73 Sedan Delivery | 1957-58 | 100.00 pr. |
| B9A-6121448-PR | Vent Window Seals - Fits All Body Styles | 1959 | 100.00 pr. |

BACK EDGE OF VENT WINDOW SEAL

| | | | |
|----------------|--|---------|-----------|
| B7A-7021450-PR | Back Edge of Vent Window Seal #59 2-Door Station Wagons, #66 Ranchero #70 2-Door Sedans, #73 4-Door Sedans #78 Sedan Delivery, #79 4-Door Station Wagons | 1957-58 | 17.50 pr. |
| B7A-7621450-PR | Back Edge of Vent Window Seal - Like original with metal molded in - complete with installation rivets Fits: Retractable, Convertible, 2-Door Hardtop, #57 2-Door & 4-Door Victoria | 1957-58 | 17.50 pr. |
| B9A-7621450-PR | Back Edge of Vent Window Seal - Like original with metal molded in - complete with installation rivets - Fits: All | 1959 | 17.50 pr. |
| B7A-6421450-PR | Back Edge of Vent Window Seal | 1957-58 | 20.00 pr. |

VENT WINDOW RUBBER & RELATED PARTS



Base numbers only shown on illustration. Order by part Numbers shown in list of parts.



POWER WINDOW MOTOR

| | | | |
|-----------------|--|---------|------------|
| B8A-14547-A NEW | Power Window Motor - Fits All - Front and Rear | 1958-59 | 175.00 ea. |
| B7A-14553-A NEW | Power Window Motor - Fits All - Front and Rear | 1957 | 175.00 ea. |

DIVISION BAR GLASS RUNS

| | | | |
|-----------------|--|---------|-----------|
| B7A-21546/7-70U | Front Door Division Bar Run - Customs - Sedans | 1957-58 | 30.00 ea. |
| B7A-7622296-U | Division Bar Glass Run - Front Door Only Fits: Retractable, Convertible, 2-Door Hardtop | 1957-58 | 15.00 ea. |

DOOR GLASS ANTI-RATTLERS

**Includes One Outer Piece For Door & One Inner Piece For Garnish Molding
Pair Comes Complete With Clips Installed & Ends Bent Exactly As Original**

| | | | |
|----------------|--|---------|------------|
| B7A-7621452-PR | Door Glass Anti-Rattler - Right Side Fits: Retractable, Convertible, 2-Door Hardtop | 1957-58 | 30.00 ea. |
| B7A-7621453-PR | Door Glass Anti-Rattler - Left Side Fits: Retractable, Convertible, 2-Door Hardtop | 1957-58 | 30.00 ea. |
| B7A-7621460-S | SAVE: Complete Door Glass Anti-Rattler Kit for Both Doors - Includes: Two pr. #21452 & #21453; two each of #21508, #22296-U & #21450 Fits: Retractable, Convertible, 2-Door Hardtop | 1957-58 | 160.00 kit |
| B7A-214523-76K | Conv. Rear Quarter Anti-Rattle Kit - Must Be Altered to Fit Retractable | 1957-58 | 80.00 set |
| B9A-214523-76K | Conv. Rear Quarter Anti-Rattle Kit - Must Be Altered to Fit Retractable | 1959 | 80.00 set |
| B7A-214523-63K | Rear Quarter Anti-Rattle Kit - Hardtop | 1957-58 | 85.00 set |
| B7A-214523-70A | Ranchero Door Anti-Rattle Kit | 1957-58 | 105.00 set |
| B7A-214523-70K | Ford Custom 300 - Tudor Sedan (70B) - Eight Piece | 1957 | 185.00 set |
| B7A-214523-73K | Ford Custom 300 (73B) - Door Anti-Rattle Kit - Eight Piece | 1957-58 | 185.00 set |
| B9A-214523-63K | Tudor Hardtop Anti-Rattle Kit - Eight Piece | 1959 | 185.00 set |
| B9A-214523-58K | Four Door Sedan Anti-Rattle Kit - Eight Piece | 1959 | 195.00 set |
| B9A-214523-70A | Ranchero Door Anti-Rattle Kit | 1959 | 105.00 set |

DOOR GLASS RUN LOCK SIDE

| | | | |
|---------------|---|---------|-----------|
| B7A-21550-70A | Door Glass run - Lock Side All Tudor Sedan Models | 1957-58 | 68.00 ea. |
| B7A-7621508-S | Door Glass Run Lock Side - Rear of Front Door Install Bracket On - Fits: Retractable, Convertible, Hardtop | 1957-58 | 20.00 ea. |
| B9A-7621508-S | Door Glass Run Lock Side - Rear of Front Door Install Bracket On - Fits: Retractable, Convertible, Hardtop | 1959 | 20.00 ea. |

WINDOW LIFT CHANNEL WEATHERSTRIPPING

| | | | |
|-------------|---|---------|----------|
| B7A-7621478 | Window Lift Channel Weatherstripping - Rubber piece that goes Between glass and window lift channel Fits: All Body Styles - 31-1/2" long Fits: #51A Retractable, #63 2-Door Hardtop, #76 Convertible | 1957-59 | 8.00 ea. |
| 8A-7021478 | Window & Quarter Glass Channel to Glass Tape Kit - does 1 glass | ALL | 6.00 kit |

Base numbers only shown on illustration. Order by part Numbers shown in list of parts.





57-58 Ford 2Dr POWER WINDOW ASSEMBLIES

All kits include front and rear regulators with motors, wiring and switches (if ordered with switches)

| | | |
|-----------|---|----------|
| 75700-201 | Chrome for door | \$450.00 |
| 75700-203 | Chrome for Console/Dash | \$450.00 |
| 75700-205 | Black Illuminated for door | \$450.00 |
| 75700-206 | Black Illuminated for Console/Dash | \$450.00 |
| 75700-207 | Nostalgic for door | \$535.00 |
| 75700-209 | Nostalgic for Console/Dash | \$535.00 |
| 75700-215 | Nu-Cranks Switches Ford Small Round | \$600.00 |
| 75700-217 | FtFG for door | \$535.00 |
| 75700-218 | FtFG for Console/Dash | \$535.00 |
| 75700-200 | None (will include motor plugs and terminals) | \$390.00 |

57-58 Ford 2DR H-Top POWER WINDOW ASSEMBLIES

All kits include front and rear regulators with motors, wiring and switches (if ordered with switches)

| | | |
|-----------|---|------------|
| 75710-402 | Chrome for door | \$925.00 |
| 75710-404 | Chrome for Console/Dash | \$925.00 |
| 75710-406 | Black Illuminated for Console/Dash | \$925.00 |
| 75710-408 | Nostalgic for door | \$1,070.00 |
| 75710-410 | Nostalgic for Console/Dash | \$1,070.00 |
| 75710-415 | Nu-Cranks Switches Ford Small Round | \$1,225.00 |
| 75710-419 | FtFG for door | \$1,070.00 |
| 75710-420 | FtFG for Console/Dash | \$1,070.00 |
| 75710-400 | None (will include motor plugs and terminals) | \$825.00 |

57-58 Ford 2DR Retractable POWER WINDOW ASSEMBLIES

All kits include front and rear regulators with motors, wiring and switches (if ordered with switches)

| | | |
|-----------|---|------------|
| 75790-402 | Chrome for door | \$925.00 |
| 75790-404 | Chrome for Console/Dash | \$925.00 |
| 75790-406 | Black Illuminated for Console/Dash | \$925.00 |
| 75790-408 | Nostalgic for door | \$1,070.00 |
| 75790-410 | Nostalgic for Console/Dash | \$1,070.00 |
| 75790-415 | Nu-Cranks Switches Ford Small Round | \$1,225.00 |
| 75790-419 | FtFG for door | \$1,070.00 |
| 75790-420 | FtFG for Console/Dash | \$1,070.00 |
| 75790-400 | None (will include motor plugs and terminals) | \$825.00 |

57-58 Ford 2DR Convertible POWER WINDOW ASSEMBLIES

All kits include front and rear regulators with motors, wiring and switches (if ordered with switches)

| | | |
|-----------|---|------------|
| 75730-402 | Chrome for door | \$925.00 |
| 75730-404 | Chrome for Console/Dash | \$925.00 |
| 75730-406 | Black Illuminated for Console/Dash | \$925.00 |
| 75730-408 | Nostalgic for door | \$1,070.00 |
| 75730-410 | Nostalgic for Console/Dash | \$1,070.00 |
| 75730-415 | Nu-Cranks Switches Ford Small Round | \$1,225.00 |
| 75730-419 | FtFG for door | \$1,070.00 |
| 75730-420 | FtFG for Console/Dash | \$1,070.00 |
| 75730-400 | None (will include motor plugs and terminals) | \$825.00 |



57-58 Ford Ranchero POWER WINDOW ASSEMBLIES

All kits include front and rear regulators with motors, wiring and switches (if ordered with switches)

| | | |
|-----------|---|----------|
| 75797-201 | Chrome for door | \$450.00 |
| 75797-203 | Chrome for Console/Dash | \$450.00 |
| 75797-205 | Black Illuminated for door | \$450.00 |
| 75797-206 | Black Illuminated for Console/Dash | \$450.00 |
| 75797-207 | Nostalgic for door | \$535.00 |
| 75797-209 | Nostalgic for Console/Dash | \$535.00 |
| 75797-215 | Nu-Cranks Switches Ford Small Round | \$600.00 |
| 75797-217 | FtFG for door | \$535.00 |
| 75797-218 | FtFG for Console/Dash | \$535.00 |
| 75797-200 | None (will include motor plugs and terminals) | \$390.00 |

59 Ford 2DR POWER WINDOW ASSEMBLIES

All kits include front and rear regulators with motors, wiring and switches (if ordered with switches)

| | | |
|-----------|---|----------|
| 75900-201 | Chrome for door | \$450.00 |
| 75900-203 | Chrome for Console/Dash | \$450.00 |
| 75900-205 | Black Illuminated for door | \$450.00 |
| 75900-206 | Black Illuminated for Console/Dash | \$450.00 |
| 75900-207 | Nostalgic for door | \$535.00 |
| 75900-209 | Nostalgic for Console/Dash | \$535.00 |
| 75900-215 | Nu-Cranks Switches Ford Small Round | \$600.00 |
| 75900-217 | FtFG for door | \$535.00 |
| 75900-218 | FtFG for Console/Dash | \$535.00 |
| 75900-200 | None (will include motor plugs and terminals) | \$390.00 |

59 Ford 2DR H-Top POWER WINDOW ASSEMBLIES

All kits include front and rear regulators with motors, wiring and switches (if ordered with switches)

| | | |
|-----------|---|------------|
| 75910-402 | Chrome for door | \$925.00 |
| 75910-404 | Chrome for Console/Dash | \$925.00 |
| 75910-406 | Black Illuminated for Console/Dash | \$925.00 |
| 75910-408 | Nostalgic for door | \$1,070.00 |
| 75910-410 | Nostalgic for Console/Dash | \$1,070.00 |
| 75910-415 | Nu-Cranks Switches Ford Small Round | \$1,225.00 |
| 75910-419 | FtFG for door | \$1,070.00 |
| 75910-420 | FtFG for Console/Dash | \$1,070.00 |
| 75910-400 | None (will include motor plugs and terminals) | \$825.00 |

59 Ford 2DR Retractable POWER WINDOW ASSEMBLIES

All kits include front and rear regulators with motors, wiring and switches (if ordered with switches)

| | | |
|-----------|---|------------|
| 75990-402 | Chrome for door | \$925.00 |
| 75990-404 | Chrome for Console/Dash | \$925.00 |
| 75990-406 | Black Illuminated for Console/Dash | \$925.00 |
| 75990-408 | Nostalgic for door | \$1,070.00 |
| 75990-410 | Nostalgic for Console/Dash | \$1,070.00 |
| 75990-415 | Nu-Cranks Switches Ford Small Round | \$1,225.00 |
| 75990-419 | FtFG for door | \$1,070.00 |
| 75990-420 | FtFG for Console/Dash | \$1,070.00 |
| 75990-400 | None (will include motor plugs and terminals) | \$825.00 |



59 Ford 2DR Convertible POWER WINDOW ASSEMBLIES

All kits include front and rear regulators with motors, wiring and switches (if ordered with switches)

| | | |
|-----------|---|------------|
| 75930-402 | Chrome for door | \$925.00 |
| 75930-404 | Chrome for Console/Dash | \$925.00 |
| 75930-406 | Black Illuminated for Console/Dash | \$925.00 |
| 75930-408 | Nostalgic for door | \$1,070.00 |
| 75930-410 | Nostalgic for Console/Dash | \$1,070.00 |
| 75930-415 | Nu-Cranks Switches Ford Small Round | \$1,225.00 |
| 75930-419 | FtFG for door | \$1,070.00 |
| 75930-420 | FtFG for Console/Dash | \$1,070.00 |
| 75930-400 | None (will include motor plugs and terminals) | \$825.00 |

UPPER DOOR GLASS BUMPER

| | | | |
|----------------|---|---------|-----------|
| B7A-7621774-PR | Upper Door Glass Bumper - Goes on backside of vent window frame where window rolls up against | | |
| | Fits: Retractable, Convertible #57, Town Victoria, & Town Sedan #63 Hardtop 1957-58 | | |
| | Fits: Retractable, Hardtop, Convertible #57A, #65A, #75A | 1957-59 | 15.00 pr. |

POWER WINDOW SWITCH & BEZEL

| | | | |
|--------------------|---|---------|-----------|
| B7A-14529-B | Power Window Switch - Single Type | 1957 | 40.00 ea. |
| 14528-A | Power Window Switch Housing - Chrome - Single Switch | 1957-59 | 30.00 ea. |
| 14570 | Retainer Clip for power window | 1957-59 | 2.25 ea. |
| 14523 | Power Window Switch Mounting Plate - Single | 1957-59 | 13.00 ea. |
| Coming Soon | NEW driver door power window gang switch chrome bezel | 1957-59 | INQUIRE |

STRIKER PLATES

| | | | |
|----------------|--|---------|-----------|
| CITB-9122008-A | Striker Plate Assembly - Right Hand | 1957-58 | 20.00 ea. |
| CITB-9122009-A | Striker Plate Assembly - Left Hand | 1957-58 | 20.00 ea. |
| COAZ-6222008-A | Striker Plate - Right Hand | 1959 | 25.00 ea. |
| COAZ-6222009-A | Striker Plate - Left Hand | 1959 | 25.00 ea. |
| 353382-S | Striker Plate Bolts | 1949-59 | .50 ea. |
| B7A-7022015-A | Striker Plate Insert Cover - Left Side | 1957-58 | 2.50 ea. |
| B7A-7022040-A | Striker Plate Insert | 1957-58 | 6.50 ea. |
| B7A-7022058-A | Striker Plate Shim | 1957-58 | 2.50 ea. |

ROLLER ASSEMBLY

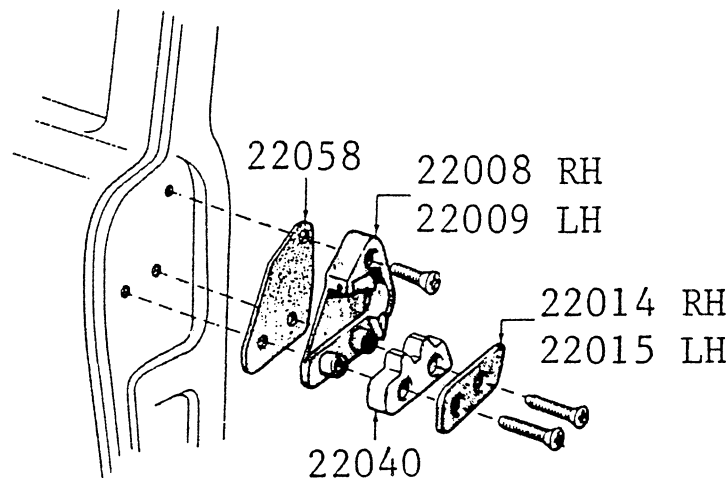
Window Regulator Arm

| | | | |
|----------------|---|---------|----------|
| BA-7023240-A | Roller Assembly for Window Regulator Arm - Two per door | 1952-59 | 5.50 ea. |
| COAB-6423240-B | Roller Assembly for Window Regulator Arm - Two per door | 1959 | 3.50 ea. |

WINDOW CRANK HANDLE & INSIDE DOOR HANDLE

| | | | |
|----------------|---|---------|-----------|
| B7A-7023342-A | Door & Quarter Window Crank Handle - Black | 1957 | 30.00 ea. |
| B8A-7023342-A | Door & Quarter Window Crank Handle - White | 1958-59 | 30.00 ea. |
| COAZ-6422600-A | Inside Door Opener Handle - All Except Convertible | 1957-59 | 25.00 ea. |
| 357550-S | Window Crank & Inside Door Handle Installation Clip | 1954-59 | .50 ea. |
| BAAA-8122618 | Quarter Window Handle Escutcheon Plate | 1952-59 | 8.00 ea. |
| B-7022624-A | Spring Between Door & Upholstery Panel | ALL | .75 ea. |
| B7A-7023370-B | Inside Window Crank & Door Handle Escutcheon | 1957-62 | 3.00 ea. |
| B7A-7023342-B | Quarter Window Crank Knob - Black - Exact of Original | 1957 | 35.00 ea. |
| B8A-6323342-A | Door & Quarter Window Crank Knob - White | 1958-59 | 35.00 ea. |

DOOR STRIKER PLATE & RELATED PARTS



Base numbers only shown on illustration. Order by part Numbers shown in list of parts.



BILL TO:

Name: _____

Address: _____

City: _____

State: _____

SHIP TO:

Name: _____

Address: _____

City: _____

State: _____

TELEPHONE:

Work: _____

E-mail Address: _____

Customer Number: _____

Body Style

Year

For Orders ONLY, Call Toll-Free: **(800) 828-4584**

Customer Service: **(479) 750-1681**

FAX Your Order To: **(479) 750-1682**

Monday - Friday 8AM to 5PM & Saturday 9AM to 12PM

Payment Method - Please Indicate Your Choice

- | | | |
|--|-------------------------------------|--|
| <input type="checkbox"/> Personal Check | <input type="checkbox"/> MasterCard | <input type="checkbox"/> American Express* |
| <input type="checkbox"/> Cashier's Check | <input type="checkbox"/> Visa | <input type="checkbox"/> Discover |
| <input type="checkbox"/> Money Order | <input type="checkbox"/> Cash | |

*Must have your address as shown on statement

Account Number:

Expiration Date:

CVV Indicator:

Name (Please Print)

Signature

| QTY | PART NUMBER | DESCRIPTION | UNIT PRICE | TOTAL PRICE |
|---|-------------|-------------|---|---|
| | | | | |
| | | | | |
| | | | | |
| | | | | |
| | | | | |
| | | | | |
| | | | | |
| | | | | |
| | | | | |
| | | | | |
| Preferred Shipping Method: <input type="checkbox"/> UPS <input type="checkbox"/> FedEx <input type="checkbox"/> Mail <input type="checkbox"/> Best Way <input type="checkbox"/> Page Over | | | SUBTOTAL Enter TOTAL from other side NC Residence Only 6% Sales Tax SHIPPING INSURANCE TOTAL | Estimated Postage is \$10.00 per \$100.00 purchase. Please add additional 10% for heavier items, such as brake shoes. INSURANCE: is \$.40 per \$100.00 Purchase |



BILL TO:

Name: _____

Address: _____

City: _____

State: _____

SHIP TO:

Name: _____

Address: _____

City: _____

State: _____

TELEPHONE:

Work: _____

E-mail Address: _____

Customer Number: _____

Body Style

Year

For Orders ONLY, Call Toll-Free: **(800) 828-4584**

Customer Service: **(479) 750-1681**

FAX Your Order To: **(479) 750-1682**

Monday - Friday 8AM to 5PM & Saturday 9AM to 12PM

Payment Method - Please Indicate Your Choice

- | | | |
|--|-------------------------------------|--|
| <input type="checkbox"/> Personal Check | <input type="checkbox"/> MasterCard | <input type="checkbox"/> American Express* |
| <input type="checkbox"/> Cashier's Check | <input type="checkbox"/> Visa | <input type="checkbox"/> Discover |
| <input type="checkbox"/> Money Order | <input type="checkbox"/> Cash | |

*Must have your address as shown on statement

Account Number:

Expiration Date:

CVV Indicator:

Name (Please Print)

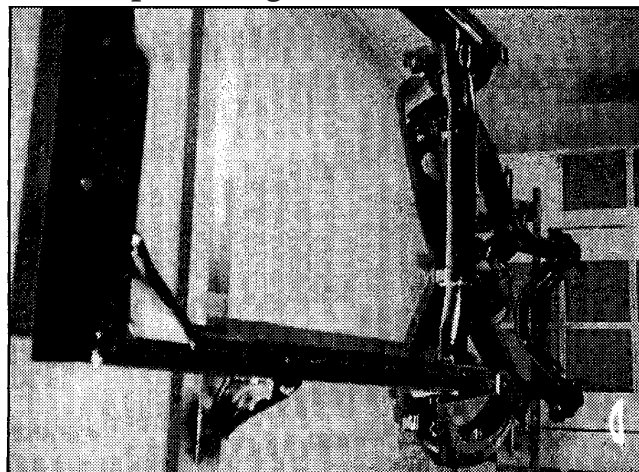
Signature

| QTY | PART NUMBER | DESCRIPTION | UNIT PRICE | TOTAL PRICE |
|---|-------------|-------------|---|---|
| | | | | |
| | | | | |
| | | | | |
| | | | | |
| | | | | |
| | | | | |
| | | | | |
| | | | | |
| | | | | |
| | | | | |
| Preferred Shipping Method: <input type="checkbox"/> UPS <input type="checkbox"/> FedEx <input type="checkbox"/> Mail <input type="checkbox"/> Best Way <input type="checkbox"/> Page Over | | | SUBTOTAL Enter TOTAL from other side NC Residence Only 6% Sales Tax SHIPPING INSURANCE TOTAL | Estimated Postage is \$10.00 per \$100.00 purchase. Please add additional 10% for heavier items, such as brake shoes. INSURANCE: is \$.40 per \$100.00 Purchase |

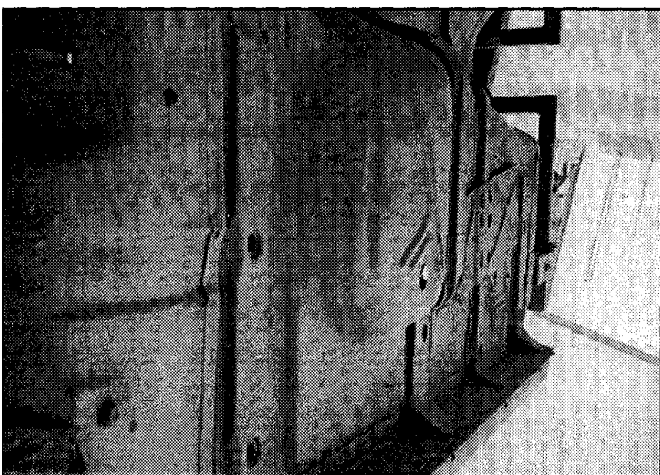
The Restoration of a 1957 Ford F-Car "Super Charged" (only 9 known worldwide)



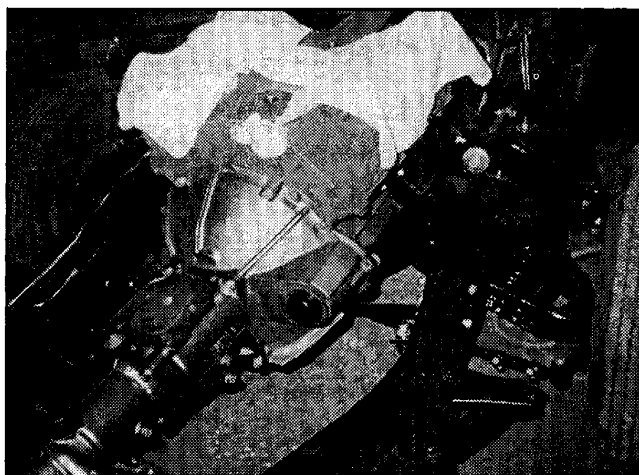
(1) The beginning.



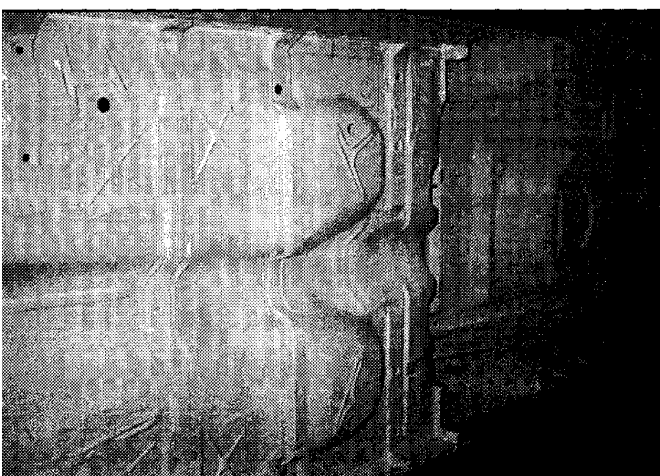
(4) Frame is painted and all brake and fuel lines are installed.



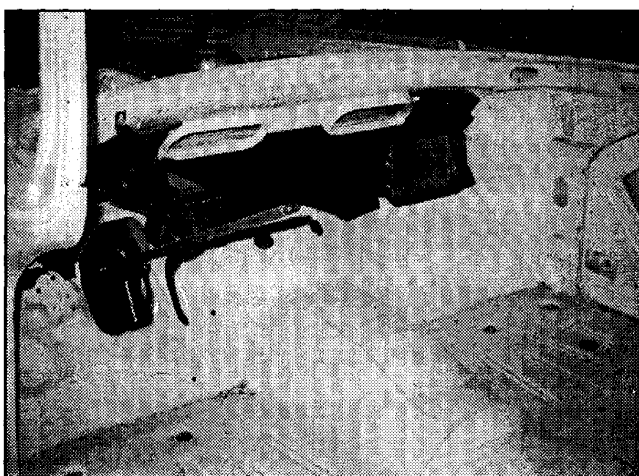
(2) Body placed on rotator and sandblasted.



(5) Motor and transmission are installed onto frame.

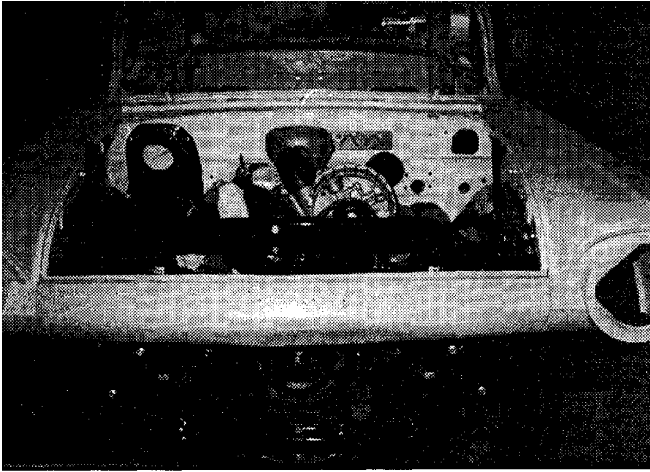


(3) Body is jammed and painted underneath.

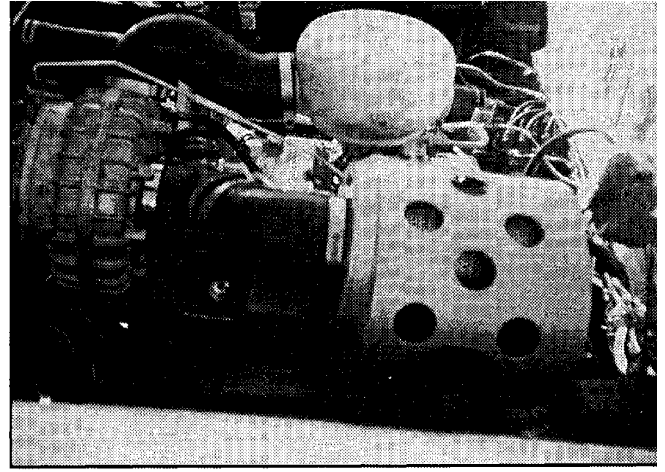


(6) Firewall pad, and all firewall accessories are added.

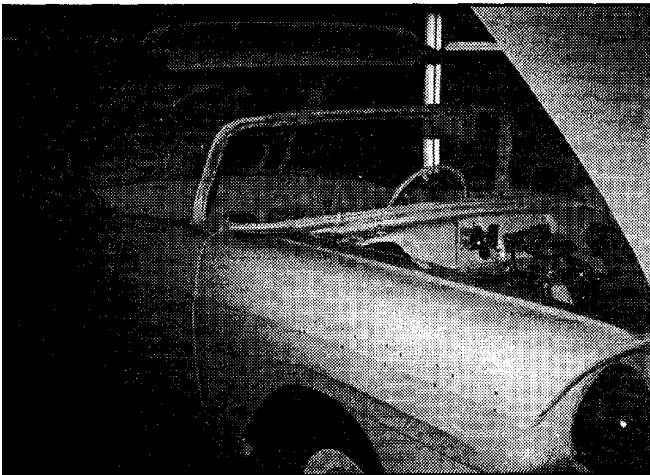
The Restoration of a 1957 Ford F-Car "Super Charged" (only 9 known worldwide)



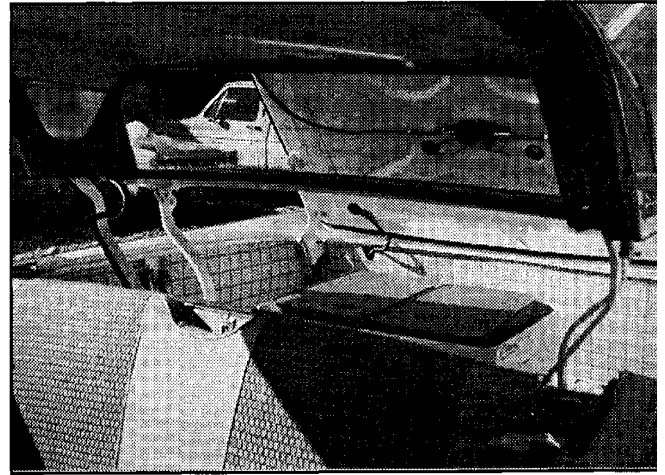
(7) Body and frame are lined up.



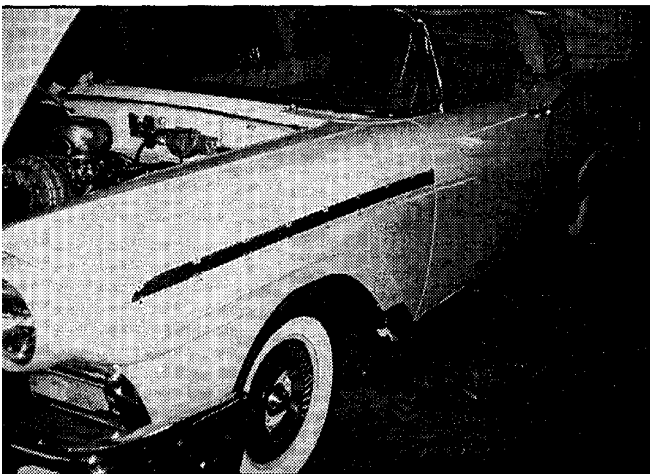
(10) Motor is detailed.



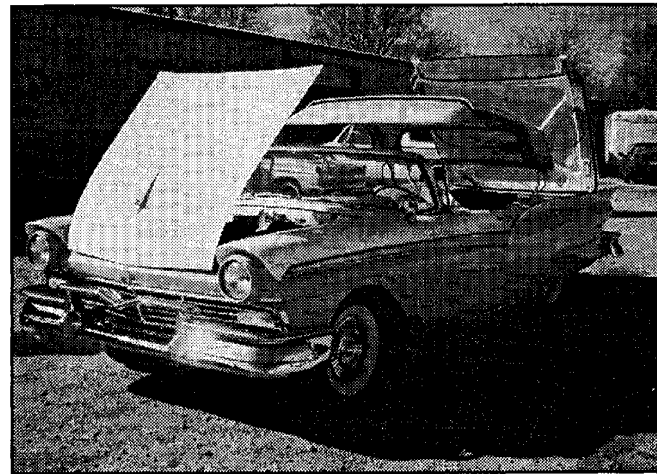
(8) Paint is placed on car.



(11) Finished (FoMoCo Luggage shot)



(9) Outside trim and other accessories are installed.

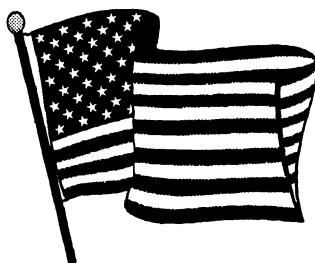


(12) Finished!!



DOORS, QUARTERS, AND TAILGATE POWER WINDOW LIFT REGULATOR DRIVE COUPLING

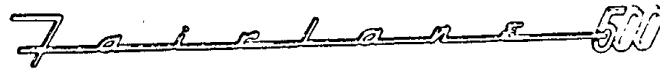
| | | |
|---------------|--|--------------|
| B5A-7023440-A | Doors, Quarters, and Tailgate Power Window Lift Regulator Drive Coupling | 15.00 ea. |
| | Front Doors | |
| Ford | 1957-59 | |
| Mercury | 1957-59 | |
| | Rear Doors | |
| Ford | (57) 4-Door Hardtop, (58) Fairlane 500 & Custom 300 4-Door Sedans, (73) 4-Door Sedan, (79) 4-Door Station Wagon | 1957-58 |
| Ford | (54A) Galaxie 4-Door Sedan, (57A) Fairlane 500 4-Door Hardtop, (58) Fairlane, Fairlane 500 & Custom 300 4-Door Sedans, (71) 4-Door Station Wagon, (75A) Galaxie 4-Door Hardtop | 1959 |
| Mercury | All 4-Door Sedans and Station Wagons | |
| Ford | (51A) Retractable from 6-2-57, (63) 2-Door Hardtop, (64) Fairlane & Fairlane 500 Club Sedan, (70A-B) 2-Door Sedans | 1957-58 |
| Ford | (51A) Retractable, (59C-D) 2-Door Ranch Wagons, (63A) 2-Door Hardtop (64A-B-F-H) 2-Door Sedans, (65A) 2-Door Hardtops, (76B) Convertible | 1959 1959 |
| Mercury | ALL | 1957-58 |
| Mercury | (56) 2-Door Wagon, (63) 2-Door Hardtop, (64) 2-Door Sedans, (76) Convertible | 1959 |
| | Tailgate | |
| Mercury | (56) 2-Door Wagon, (77) 4-Door Wagon | 1957-59 |



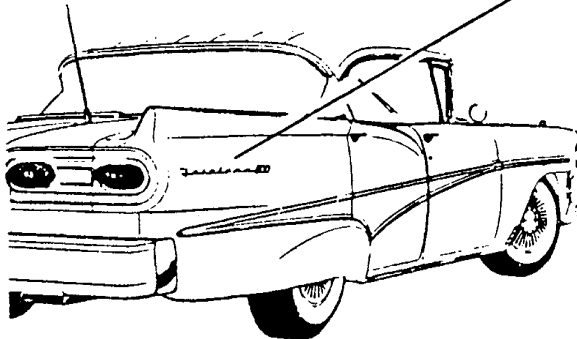
BUY AMERICAN

*We are here to serve you.
In order to serve you better, we would like to know of your particular needs.
Drop us a card.
Thank you for your continued patronage.
Jerry*

FAIRLANE

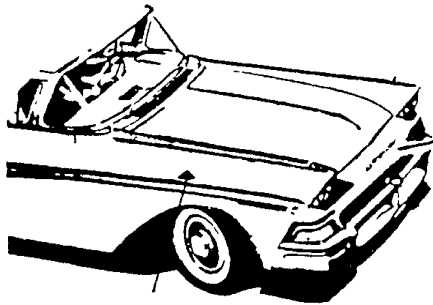


B7A-6425622-PR



FAIRLANE SCRIPTS

B7A-16604-A (1957 Only)

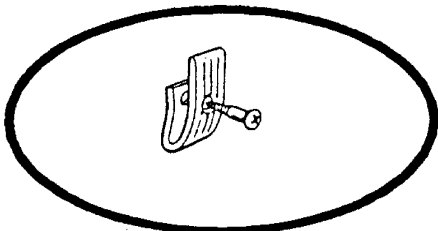
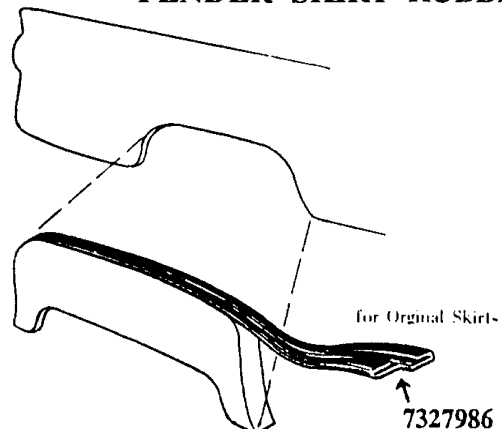


B7A-16098-PR



7327986-A

FENDER SKIRT RUBBER



B2A-7029025-A
Coat Hanger

Base numbers only shown on illustration. Order by part Numbers shown in list of parts.



ROOF & REAR EMBLEM & BEZEL

| | | | |
|---------------|---|---------|-----------|
| BM-7325662-B | Emblem Roof Side - (51A) Retractable | 1957-58 | 24.50 ea. |
| | Emblem Rear Bezel - (58B) Fairlane 500 Town Sedan | 1957 | |
| | (64B) Fairlane 500 Club Sedan | | |
| | (57A) Fairlane 500 Town Victoria | 1957-58 | |
| | (63A) Fairlane Victoria | | |
| B6A-7925666-C | (51A) Retractable | 1957-59 | |
| | (76B) Fairlane 500 Convertible | | |
| | Rear Seat Back Emblem Bezel - (58B) Fairlane 500 Town Sedan | 1957 | 20.00 ea. |
| | (64B) Fairlane 500 Club Sedan | | |
| | (57A) Fairlane 500 Town Victoria | 1957-58 | |
| | (63A) Fairlane 500 Victoria | | |
| | (51A) Retractable | 1957-59 | |
| | (76B) Fairlane 500 Convertible | | |

GALAXIE

| | | | |
|----------------|---------------------------------|------|------------|
| B9A-5425622-PR | Galaxie Script on Quarter Panel | 1959 | 100.00 pr. |
|----------------|---------------------------------|------|------------|

NOTE: There may be a problem on the exact fit if that area of the quarter panel has been bumped out or altered from original.

SCRIPTS FOR BODY

| | | | |
|----------------|---|---------|------------|
| B7A-6425622-PR | Fairlane 500 Script for Rear Quarter | 1957-58 | 90.00 pr. |
| B8A-16604-A | Front Fairlane Script | 1958 | 85.00 ea. |
| B8A-6442528-A | Fairlane Script on Deck Lid | 1958 | 40.00 ea. |
| B7A-16098-B | Fairlane Script for Front Fender & Rear Quarter | 1957-58 | 100.00 pr. |
| B7A-16604-A | Fairlane Script for Hood above Grille | 1957 | 40.00 ea. |

FENDER SKIRTS

| | | | |
|----------------|---|---------|------------|
| B7A-7027964-PR | Fender Skirts - Reproduction Metal | 1957-58 | 175.00 pr. |
| B7A-7027951-PR | Cruiser Skirts - Fiberglass - Fits all models | 1957-58 | 395.00 pr. |

FENDER SKIRT RUBBER

| | | | |
|----------------|--|---------|-----------|
| B7A-7327986-PR | Fender Skirt for Original Skirts - Rubber Only | 1957-58 | 12.00 pr. |
| B9A-7327986-PR | Fender Skirt for Original Skirts - Rubber Only | 1959 | 12.00 pr. |
| 370034-S8B | Fender Skirt Pins - 6 Required | 1957-59 | 3.00 ea. |

COAT HANGER

| | | | |
|---------------|--|---------|-----------|
| B2A-7029025-A | Coat Hanger with Screw - Imported - Fits All Closed Cars | 1953-67 | 12.00 pr. |
|---------------|--|---------|-----------|



BUY AMERICAN



QUARTER MOLDINGS

Clips to Install are Extra

| | | | |
|---------------|--|------|------------|
| B7A-6429038-A | Quarter Moldings for Top of Fin Fits: Hardtop & Convertible | 1957 | 435.00 pr. |
| B7A-5129038-A | Quarter Moldings for Top of Fin Fits: Retractable Only | 1957 | 420.00 pr. |

FOUR-DOOR FRONT QUARTER WINDOW SEALS

| | | | |
|----------------|--|---------|-----------|
| B9A-5725824-PR | 4-Door Hardtop Front of Rear Door Glass to Back of Front Glass Seal - Fits: 4-Door Hardtop Only | 1957-59 | 30.00 pr. |
|----------------|--|---------|-----------|

FRONT OF QUARTER WINDOW PADS & SEALS

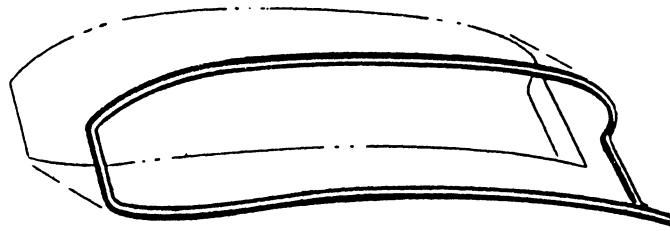
| | | | |
|----------------|---|---------|-----------|
| B9A-5129748-PR | Seal or Pad for Front of Quarter Window Fits: Retractable, Convertible, 2-Door Hardtop | 1959 | 25.00 pr. |
| B7A-7629748-PR | Quarter Window Pad & Seal for Front of Quarter Window When window is rolled up all the way Fits: Retractable, Convertible, 2-Door Hardtop | 1957-58 | 25.00 pr. |
| B7A-5130146-PR | Front Edge of Quarter Window to Door Glass Seal Fits: Retractable, Convertible, Hardtop Only | 1957-58 | 30.00 pr. |
| B9A-6330146-PR | Front Edge of Quarter Window to Door Glass Seal Fits: Retractable, Convertible, Hardtop Only | 1959 | 30.00 pr. |
| B7A-7629986-A | Quarter Window Lower Stop Bumper Fits: Retractable & Convertible | 1957-59 | 12.00 pr. |



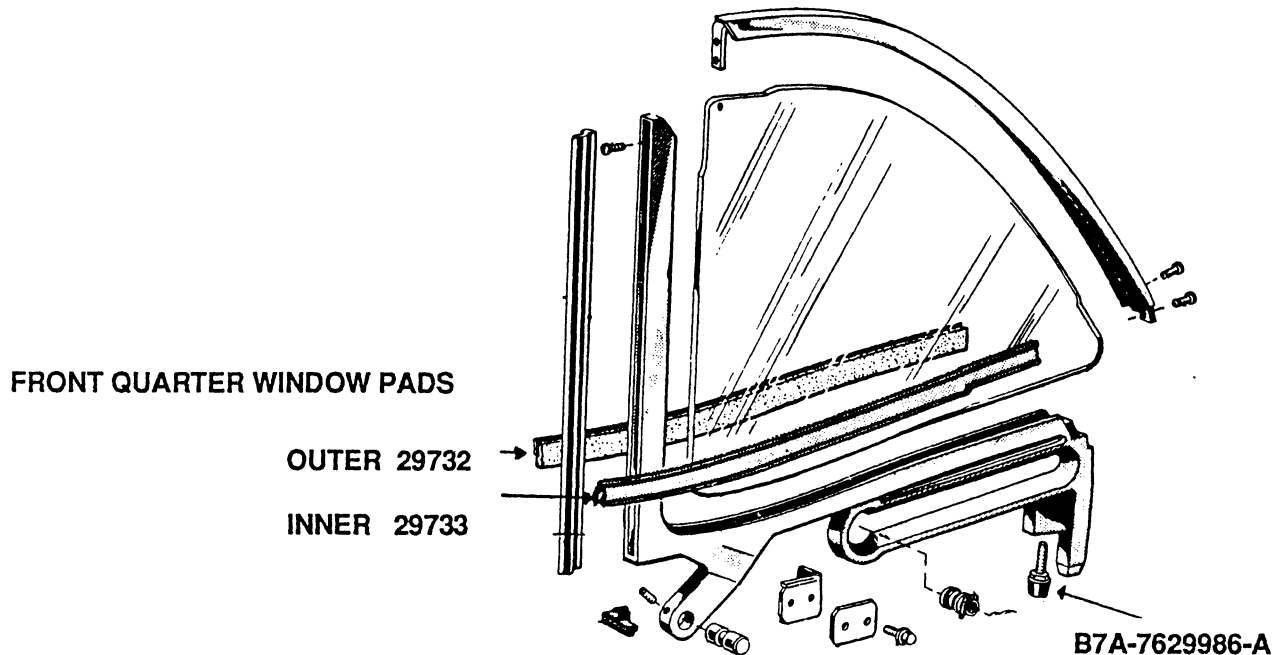
REAR WINDOW SEAL

| | | | |
|---------------|---|---------|------------|
| B7A-5142084-A | Back Window Rubber - Retractable | 1957-59 | 80.00 ea. |
| B7A-6642084-B | Back Window Rubber - Ranchero | 1957-59 | 60.00 ea. |
| B7A-5942084-A | Back Window Seal - Fits Wagons that the top window lifts up Model 59-79 | 1957-58 | 60.00 ea. |
| B7A-6442084-A | Rear Window Seals - Fits the following: #58 Fairlane & Fairlane 500, Town Sedan & Town Victoria #63 Fairlane & Fairlane 500, Club Victoria #64 Fairlane & Fairlane 500, Club Sedan | 1957-58 | 120.00 ea. |
| B7A-7042084-A | Rear Window Seals - Fits the following: #70 Custom & Custom 300 2-Door Sedan #73 Custom & Custom 300 4-Door Sedan | 1957-58 | 120.00 ea. |
| B9A-5442084-A | Back Window Seal - Galaxie Series - Fits the following: #54A Town Sedan; #64H Club Sedan #65A Club Victoria; #75A Town Victoria | 1959 | 80.00 ea. |
| B7A-7842084-A | Back Window Seal - in rear door - 3 pc. set Fits: (78) Sedan Delivery | 1957-58 | 175.00 set |
| COAZ-19554-A | Weatherstrip Adhesive | ALL | 12.00 set |

REAR WINDOW SEAL



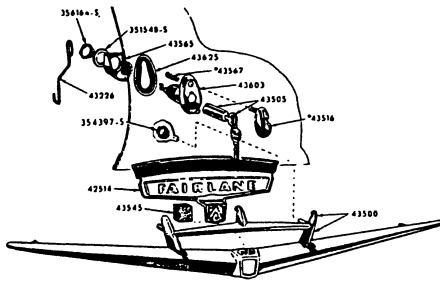
REAR WINDOW SEAL



Base numbers only shown on illustration. Order by part Numbers shown in list of parts.



DECK LID PARTS 1957



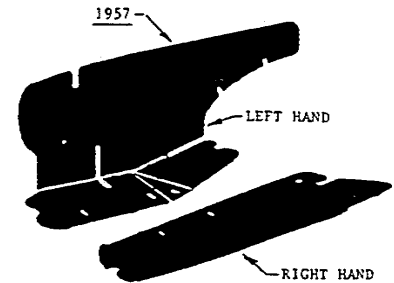
TRUNK SIDE BOARD PANELS

TRUNK EMBLEM

Fairlane



Base numbers only shown on illustration.
Order by part Numbers shown in list of parts.



TRUNK LID PARTS

| | | | |
|---------------|---|---------|------------|
| B7A-7042514-A | Deck Lid Emblem Plastic for Custom Series - Imported | 1957-58 | 50.00 ea. |
| B7A-5942514-A | Tailgate for 57-58 Wagon | | |
| | Tailgate for 57-58 Ranchero | | |
| B7A-6442514-A | Deck Lid Plastic - Fairlane 500 | 1957 | 65.00 ea. |
| B7A-6443545-A | Deck Lid Plastic Emblem Pad - Fairlane Series | 1957 | .50 ea. |
| B5A-7043603-B | Deck Lid Lock Cylinder & Cover | | |
| | Fits: Fairlane Series Except Retractable & Wagon | 1955-57 | 50.00 ea. |
| B5A-7043625-B | Lock Assembly to Deck Lid Pad | 1955-57 | 3.50 ea. |
| B7A-5943706-A | Wagon Lift Gate Seal - Fits: Ranch & Station Wagon | 1957-58 | 14.00 ea. |
| B8A-6442528-A | Deck Script - Fairlane | 1958 | 40.00 ea. |
| B7A-5942514-A | Deck Lid Emblem - Plastic - Imported | 1957-58 | 60.00 ea. |
| B7A-7043500-A | Deck Lid Bezel - Custom Series Body | 1957 | 100.00 ea. |
| B9A-6443505-A | Deck Lid Lock Cylinder with Keys Replacement of Original | 1952-59 | 20.00 ea. |
| B7A-7043531-A | Deck Lid Bezel Pad - Custom Series | 1957 | 10.00 ea. |
| B7A-6643830-A | Tailgate Lock Cylinder Hole Ornament - Ranchero | 1957-59 | 45.00 ea. |
| B5A-5943726-A | Lower Tailgate Seal - Outer - Ford & Mercury Wagon | 1953-57 | 10.00 ea. |
| B7A-5100-KIT | Deck Lid Insulation - Precut - Retractable Only - 5 piece kit | 1957-59 | 150.00 kit |
| B7A-5201-KIT | Tray Insulation - Precut - Retractable Only - 7 piece kit | 1957-59 | 65.00 kit |

TRUNK LID SEAL

| | | | |
|-------------|--|---------|-----------|
| BA-7043720 | Trunk Lid Seal - Fits: All Models & Retractable Sides & Back | 1952-59 | 25.00 ea. |
| B9A-16792-S | Trunk Torsion Bar Anti-Rattler | 1957-59 | 3.00 ea. |

TRUNK MAT & KITS

| | | | |
|----------|---|---------|------------|
| 16403-59 | Trunk Kit - Burtex - Retractable (<i>see inside front cover</i>). Kit comes with factory type materials. Precut mats and boards, decals and buttons. | 1959 | 375.00 kit |
| 16477-58 | Trunk Kit - Burtex - Retractable (<i>see inside front cover</i>). Kit comes with factory type materials. Precut mats and boards, decals and buttons. | 1958 | 375.00 kit |
| 17090-57 | Trunk Kit - Burtex - Retractable (<i>see inside front cover</i>). Kit comes with factory type materials. Precut mats and boards, decals and buttons. <i>This kit has no jack flap on dr. side.</i> | 1957 | 375.00 kit |
| 5209-57 | Ford Fairlane 500 Trunk Mat - Burtex | 1957-58 | 145.00 ea. |
| 5268-59 | Burtex Trunk Mat | 1959 | 145.00 ea. |
| 5212-57 | Ford Custom Trunk Mat - Burtex | 1957-58 | 135.00 ea. |

TRUNK SIDE BOARDS - PANELS

| | | | |
|----------------|--|---------|-----------|
| B7A-7045415-PR | Trunk Side Panels - Fits All Except Retractable & Custom | 1957-58 | 30.00 pr. |
|----------------|--|---------|-----------|

TRUNK EMBLEM "V"

Pressure Die Cast & Triple Chrome Plated (Mfg. U.S.A.)

| | | | |
|---------------|---------------------------------------|------|------------|
| B7A-6443500-A | Fairlane 500 Trunk Emblem "V" | 1957 | 110.00 ea. |
| B9A-5842528-A | Galaxie Fairlane Script for Trunk Lid | 1959 | 40.00 ea. |



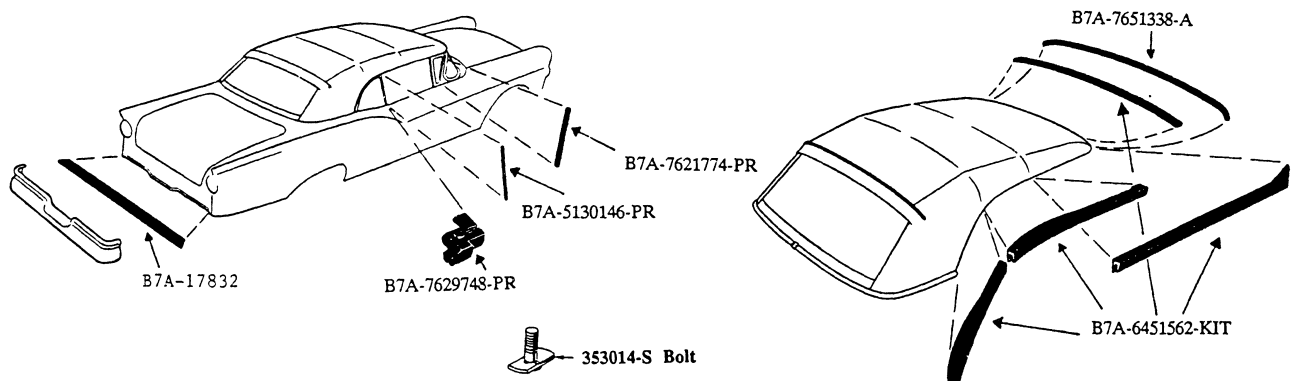
REAR SEAT CENTER MOLDING

| | | |
|---------------|---|-----------|
| B7A-6461102-A | Rear Seat Center Back Molding (58B) Fairlane 500 Town Sedan, (64B) Fairlane 500 Club Sedan (57A) Fairlane 500 Town Victoria, (63A) Fairlane 500 Victoria (51A) Retractable, (76B) Fairlane 500 Convertible | 75.00 ea. |
|---------------|---|-----------|

SPECIAL '57 - '58 CONVERTIBLE RUBBER PARTS

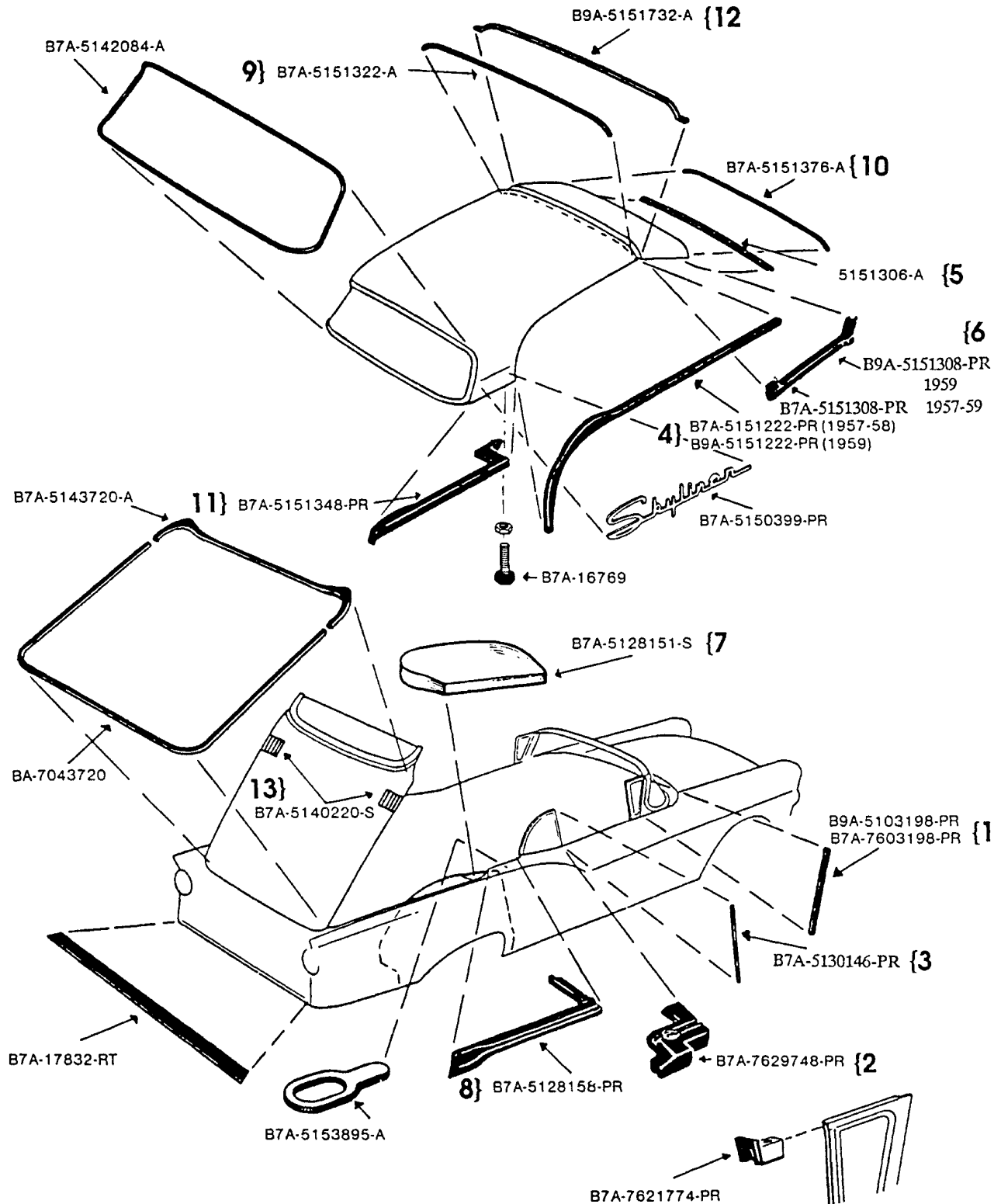
| | | | |
|-----------------|--|---------|-----------------------------|
| B7A-7629748-PR | Quarter Window Pad & Seal for Front of Quarter Window when window is rolled all the way up Fits: Convertible, 2-Door Hardtop & Retractable | 1957-58 | 25.00 pr. |
| B7A-5130146-PR | Front of Quarter Window Seal - Cut to length Fits: Convertible, 2-Door Hardtop & Retractable | 1957-58 | 30.00 pr. |
| B7A-7603198-PR | Windshield Post to Door Seal - Goes on windshield post Fits: Convertible & Retractable | 1957-58 | 20.00 pr. |
| B7A-7651338-A | Convertible Front Header Seal | 1957-58 | 10.00 ea. |
| B7A-6451562-KIT | Folding Top Irons to Door Glass Weatherstripping Cloth-covered like original - Header Bow Seal - Fastens to Header Bow - Reproduced exactly as original Convertible Only Sold individually or in a set of seven pieces | 1957-58 | 350.00 set 75.00 ea. |
| B7A-6351630-S | Top Irons to Door Glass Weatherstripping Shim - Rubber Fits: Retractable & Convertible - 8' lengths | 1957-59 | 10.00 ea. |
| 353014-S | Bolt that fastens top iron weatherstripping to top bows | 1952-58 | 1.50 ea. |
| 353014-SET | Above Bolts - Need 22 per car - Set of 22 | 1952-58 | 22.00 set |
| B7A-7603144-S | Header Chrome to Top of Windshield Seal | 1957-58 | 8.00 ea. |
| B5A-7629986-A | Folding Top Side Arm Bumper - Convertible | 1955-59 | 15.00 pr. |
| B7A-7621774-PR | Upper Door Glass Bumper Fits: Retractable & Convertible Only | 1957-59 | 15.00 ea. |
| B9A-7651562-KIT | Folding Top Irons to Door Glass Weatherstripping Cloth converted like original - Header Bow Seal - Fastens to Header Bow - Reproduced exactly as original - Convertible Only - Set of 7 pieces | 1959 | 350.00 kit |
| B7A-7651455-PR | Convertible boot strap chrome moldings. These are chrome moldings that your boot snaps to when the top is down. Left and Right sides - triple chrome plated. | 1957-58 | 1100.00 pr. |
| B8A-7650719-KIT | Convertible power top kit. Kit includes two new top rams, new Pump/motor assemble, and all new pressure lines. | 1957-59 | 695.00 kit |

KIT OF SEVEN PIECES



Base numbers only shown on illustration. Order by part Numbers shown in list of parts.

MORE 1957-59 RETRACTABLE PARTS



Base numbers only shown on illustration. Order by part Numbers shown in list of parts.



SPECIAL RETRACTABLE RUBBER PARTS

Exactly As Original

| | | | |
|-------------------|--|---------|-------------|
| B7A-9080-B | Gas Neck Grommet | 1957-58 | 25.00 ea. |
| B9A-9080-A | Gas Neck Grommet - Fits Retractable Only | 1959 | 20.00 ea. |
| 0A-16378 | Gas Tank Filler Lid Bumpers - Retractable Only | 1957-58 | 3.00 pr. |
| 1A-14567 | Tag Light Wire Grommet - Goes where tag light wire comes in bottom back of trunk | 1957-59 | 3.00 ea. |
| B7A-16769 | Roof Assembly to Quarter panel Bumper - Set of 4 - Need four per car | 1957-59 | 15.00 set |
| B7A-17832-RT | Rear Stone Deflector Rubber - Retractable Only Goes between body & rear bumper Comes Complete with installation staples | 1957-58 | 30.00 ea. |
| B9A-17808-E | Rear Stone Deflector Rubber - Fits All Goes between body & rear bumper | 1959 | 35.00 ea. |
| 1} B7A-7603198-PR | Windshield Post to Door Seals - Goes on windshield post Fits: Retractable & Convertible Only | 1957-58 | 20.00 pr. |
| 1} B9A-5103198-PR | Windshield Post to Door Seals - Goes on windshield post Fits: Retractable & Convertible Only | 1959 | 50.00 pr. |
| 2} B7A-7629748-PR | Quarter Window Pad & Seal for Front of Quarter Window when window is rolled all the way up Fits: Retractable, Convertible & 2-Door Hardtop Only | 1957-58 | 25.00 pr. |
| 2} B9A-5129748-PR | Front of Quarter Window Seal | 1959 | 25.00 pr. |
| 3} B7A-5130146-PR | Front of Quarter Window Seal - Cut to length | 1957-58 | 30.00 pr. |
| 3} B9A-6330146-PR | Front of Quarter Window to Door Glass Seal Fits: Retractable, Convertible & 2-Door Hardtop | 1959 | 30.00 pr. |
| B7A-5142084-A | Back Window Rubber - Complete with Special Molded Comers | 1957-59 | 80.00 ea. |
| BA-7043720 | Trunk Lid Seal for Side & Back - Cut to length | 1957-59 | 25.00 ea. |
| B7A-5143720-A | Trunk Lid Seal for Front - Complete with Special Molded Comers | 1957-59 | 35.00 ea. |
| 4} B7A-5151222-PR | Weatherstripping assembly for Roof Side - Cloth-covered like original | 1957-58 | 175.00 pr. |
| 4} B9A-5151222-PR | Weatherstripping Assembly for Roof Side Rail - Cloth-covered like original | 1959 | 175.00 pr. |
| 4} B7A-5151306-A | Top of Windshield to Front of Top Flapper Seal | 1957-58 | 60.00 ea. |
| B7A-50265-PR | Skyliner roof sail plates. These are the chrome plates that attach to the rear roof pillars on a retractable. New triple chrome plated. | 1957-58 | 1399.00 pr. |
| B9A-50265-PR | Skyliner roof sail plates. These are the chrome plates that attach to the rear roof pillars on a retractable. New triple chrome plated. | 1959 | 1399.00 pr. |
| B7A-55140372-A | 1957 Retractable lower back panel two-tone paint divider stainless molding. | 1957 | 375.00 ea. |
| 5} B9A-5151306-A | Top of Windshield to Front of Top Flapper Seal | 1959 | 60.00 ea. |
| 6} B7A-5151308-PR | Weatherstripping Assembly for Front Roof Side Cloth-covered like original - Goes on side of flapper Seal | 1957-58 | 60.00 ea. |
| 6} B9A-5151308-PR | Weatherstripping Assembly for Front Roof Side Cloth-covered like original - Goes on side of flapper | 1959 | 60.00 pr. |



SPECIAL RETRACTABLE RUBBER PARTS - *continued*

| | | | | |
|-----|----------------|--|---------|------------|
| 7} | B7A-5128151-S | Pad that Flapper (Front of Top) rests on when top is down Glues to top of wheel well | 1957-59 | 15.00 pr. |
| 8} | B7A-5128158-PR | Body to Rear Side of Top Seal - Glues to top of quarter where sides of top set on body when top is up | 1957-59 | 30.00 pr. |
| 9} | B7A-5151322-A | Weatherstripping for Rear Roof Front - This is seal between front part of rear top & flapper | 1957-58 | 10.00 ea. |
| 9} | B9A-5151322-A | Weatherstripping for Rear Roof Front - This seal also had Special Molded Ends | 1959 | 25.00 ea. |
| 10} | B7A-5151376-A | Weatherstripping for Front Roof - Front Outer - All hoses are pre-punched | 1957-58 | 20.00 ea. |
| 11} | B7A-5151348-PR | Weatherstripping for Rear Roof Side - Glues on Top or Rear Quarter | 1957-59 | 30.00 pr. |
| | B7A-6351630-S | Roof Rails to Top Shim - Rubber Fits: Retractable & Convertible | 1957-59 | 10.00 pr. |
| 12} | B9A-515732-A | Weatherstripping for Front Roof Rear has Special Molded Ends | 1959 | 20.00 ea. |
| 13} | B7A-5140220-S | Bumper for Package Tray Panel - This is the panel in front of trunk lid that folds under trunk lid when lid is open - Glues on bottom of trunk lid door where front of package tray panel comes against bottom of trunk lid | 1957-58 | 3.00 pr. |
| | B7A-5150399-PR | Skyliner Scripts for Roof - Gold Color - Pressure Die Cast and Plated | 1957-59 | 100.00 pr. |
| | B7A-7621774-PR | Upper Door Glass Bumper | 1957-59 | 15.00 pr. |
| | B7A-5153942-A | Bumper for Front Roof to Rear Roof - Retractable | 1957-58 | 8.00 pr. |
| | B7A-5153895-A | Quarter Belt Inside Molding Pad | 1957-59 | 4.50 pr. |

NOTE: Numbers beside part numbers correspond with numbers in picture. (page 63)

DECALS

| | | | |
|--------|--|---------|-----------|
| DF-32 | Ford Voltage Regulator Decal | 1956-57 | 5.00 ea. |
| DF-33 | Ford Coil Decal | 1956-64 | 5.00 ea. |
| DF-47 | Retractable Jack Instructions | 1957 | 5.00 ea. |
| DF-48 | Retractable Jack Instructions | 1958 | 5.00 ea. |
| DF-49 | Retractable Jack Instructions | 1959 | 5.00 ea. |
| DF-69 | Generator Decal | 1957 | 5.00 ea. |
| DF-71 | 312 Cubic Inch Valve Cover Decal | 1957 | 12.00 pr. |
| DF-76 | Ford Owner's Manual Maintenance Insert Sheet | 1955-57 | 5.00 ea. |
| DF-81 | Ford Automatic Transmission Glove Box Decal | 1954-59 | 5.00 ea. |
| DF-83 | Air Cleaner Service Instructions Decal | 1957-64 | 5.00 ea. |
| DF-93 | Ford Life Guard Body Decal | 1956-57 | 5.00 ea. |
| DF-107 | Voltage Regulator Decal | 1958-61 | 5.00 ea. |
| DF-120 | FoMoCo Anti-Freeze Tag | 1954-59 | 5.00 ea. |
| DF-127 | Retractable Motor Decal Kit | 1957-59 | 5.00 ea. |
| DF-131 | Ford Starter Decal | 1956-57 | 5.00 ea. |





DECALS - Continued

| | | | |
|---------|---|---------|----------|
| DF-180 | Life Guard Door Lock Kit | 1957 | 5.00 ea. |
| DF-262 | Retractable Storage Instructions Decal | 1957-59 | 5.00 ea. |
| DF-274 | Radio Schematic Decal | 1957-59 | 5.00 ea. |
| DF-275 | Transistorized Radio Decal | 1957-59 | 5.00 ea. |
| DF-276 | Generator Tag with Rivets - 6 volt | | 5.00 ea. |
| DF-288 | Glove Box Door Tire Pressure Decal | 1957-58 | 5.00 ea. |
| DF-430 | Interceptor Air Cleaner Decal - Small | 1958-59 | 5.00 ea. |
| DF-459 | Station Wagon Tire Storage Decal | 1957-58 | 5.00 ea. |
| DF-1125 | Generator Warning Tag - Green - 12 volt | 1956-64 | 5.00 ea. |

BOOKS & MANUALS



| | | | |
|-----------|--|---------|------------|
| CA-3600 | Steering Wheel Restoration Book | | 13.00 ea. |
| CA-4915-6 | Parts & Accessories - One is text only - One is illustrations catalog set of two | 1949-59 | 200.00 set |
| CA-5318 | Ford Body Parts List | 1953-57 | 45.00 ea. |
| AM-0182 | Body, Trim & Sealant Assembly Manual | 1957 | 25.00 ea. |
| CA-5700 | Ford Shop Manual | 1957 | 30.00 ea. |
| CA-5710 | Ford Owner's Manual | 1957 | 18.00 ea. |
| CA-5719 | Retractable Top Parts List - 18 pages - April, 1957 | 1957-58 | 6.00 ea. |
| CA-5720 | Ford Retractable Shop Manual | 1957 | 10.00 ea. |
| CA-5023 | "The Nifty Fifties Fords" - An illustrated history of the '50s Fords - 320 pgs. | | 47.50 ea. |
| CA-5734 | Wiring Diagram Manual - Ford | 1957 | 7.00 ea. |
| CA-5800 | Ford Shop Manual | 1958 | 95.00 ea. |
| CA-5810 | Owner's Manual - Ford | 1958 | 10.00 ea. |
| CA-5822 | Full Color Fold-Out Wall Poster - Ford - All Body Styles | 1958 | 10.00 ea. |
| CA-5834 | Wiring Diagram Manual - Ford | 1958 | 5.00 ea. |
| CA-5900 | Ford Shop Manual | 1959 | 95.00 ea. |
| CA-5910 | Owner's Manual - Ford | 1959 | 10.00 ea. |
| CA-5922-S | Full Color Fold-Out Wall Poster - Station Wagon | 1959 | 7.50 ea. |
| CA-5970 | Full Color Sales Brochure - Ford - All Body Styles | 1959 | 15.00 ea. |
| CA-5930-S | Full Color Sales Brochure - Station Wagon | 1959 | 12.50 ea. |
| CA-5931 | Full Color Sales Brochure - Ford | 1959 | 10.00 ea. |
| CA-5934 | Wiring Diagram Manual Ford | 1959 | 5.00 ea. |
| HEMM | Hemmings Motor New Magazine (Cost may vary at date of publication) | | 5.95 ea. |

LIGHT BULBS

| | | | |
|------------------|---|---------|----------|
| B6A-13007 | Headlight Bulbs - 12 volt | 1956-57 | 7.00 ea. |
| B8AZ-13007-A | Headlight Bulbs - 12 volt | 1958-64 | 7.00 ea. |
| B8AZ-13007-B | Headlight Bulbs - 12 volt | 1959-64 | 7.00 ea. |
| B6A-13465-1034 | Parking Light Bulbs - 12 volt | 1956-59 | 1.50 ea. |
| B7A-13466-1157-A | Parking Light Bulbs - 12 volt - Painted Amber | 1956-59 | 2.00 ea. |
| B6A-23466-57 | Instrument Panel Bulb - 12 volt | 1956-59 | 1.00 ea. |
| B6A-13466-57 | High Beam Indicator Bulb - 12 volt | 1956-57 | 1.00 ea. |
| B6A-13466-1445 | High Beam Indicator Bulb - 12 volt | 1958-59 | 1.00 ea. |
| B6A-13466-57 | Glove Compartment Bulb -12 volt | 1956 | 1.00 ea. |
| B6A-13465-1034 | Taillight Bulbs - 12 volt | 1956-59 | 1.50 ea. |
| 09B-13466-67 | Rear License Plate Bulb - 12 volt | 1956-59 | 2.00 ea. |
| 09B-13466-67 | Courtesy Lamp Bulb - 12 volt | 1956-59 | 1.00 ea. |
| B6A-13466-57 | Automatic Transmission Bulb - 12 volt | 1956 | 1.00 ea. |
| B6A-13730-1003 | Dome Light Bulb - 12 volt | 1956 | 1.00 ea. |

FIREWALL GROMMETS

| | | | |
|------------|---|---------|----------|
| 1A-7001694 | Overdrive Pull Cable Grommet | 1951-59 | 4.00 ea. |
| 1A-14603-B | Cowl Wiring Grommet through Firewall | 1951-59 | 4.00 ea. |
| 352811-S | Plug that plugs access hole in cowl top | 1957-58 | 2.00 ea. |
| 352961-S | Hood Pull Cable Grommet | 1957-59 | 1.00 ea. |
| 353789-S | Heater Motor Wire Grommet | 1957-58 | 1.00 ea. |

ASH TRAY DOOR BUMPERS

| | | | |
|----------|-----------------------|---------|----------|
| 359422-S | Ash Tray Door Bumpers | 1957-59 | 2.00 pr. |
|----------|-----------------------|---------|----------|

KEY CHAIN

"Dealer giveaway in the '50s"

| | | | |
|------|----------------------------|--|----------|
| KC-1 | Key Chain - Ford Script | | 5.00 ea. |
| KC-2 | Key Chain - Script Plastic | | 4.50 ea. |



BUMPER STICKERS

| | | |
|--------|--------------------------|----------|
| DF-362 | Ford Oval Decal - 6-1/2" | 4.50 ea. |
| DF-363 | Ford Oval Decal - 9-1/2" | 4.00 ea. |
| DF-364 | Ford Decal - 17" | 6.00 ea. |

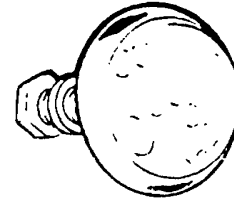
MAGNETIC SIGNS

| | | |
|------|--------------------------------|----------|
| MM-2 | "Look, But Please Don't Touch" | 6.00 ea. |
|------|--------------------------------|----------|



LICENSE PLATES & BOLTS

| | | | |
|-------|---|--|----------|
| LP-1 | Ford Oval Embossed License Plate | | 7.00 ea. |
| LT-2A | License Plate Bolt with Glass Reflector - Amber Color | | 7.00 ea. |
| LT-2B | License Plate Bolt with Glass Reflector - Blue Color | | 7.00 ea. |
| LP-2G | License Plate Bolt with Glass Reflector - Green Color | | 7.00 ea. |
| LP-2R | License Plate Bolt with Glass Reflector - Red Color | | 7.00 ea. |



MISCELLANEOUS ITEMS

| | | | |
|------------|--|---------|-----------|
| 353483-5 | Bolts 5/16" x 24 x 1" | | .50 ea. |
| 353483-SET | Bolts - Same as above - Sold in package of 50 | | 20.00 pk. |
| 20327-S8 | Bolts 5/16" x 24 x 9/16" | | .75 ea. |
| 20327-5K | Bolts - Same as above - Sold in package of 50 | | 22.00 pk. |
| 352811-S | Plug that plugs access hole in cowl top | 1957-58 | 2.00 ea. |
| 352961-5 | Hood Pull Cable Firewall Grommet | 1957-59 | 1.00 ea. |
| 353014-SET | Bolt that fastens top iron weatherstripping to top bows Set of 22 (22 needed per car) | | 22.00 set |
| 353382-S | Striker Plate Bolt | 1949-59 | 1.00 ea. |
| 353789-S | Heater Motor Firewall Grommet | 1957-58 | 1.00 ea. |
| 357550-S | Inside Door Handle & Window Crank Installation Clip | 1951-59 | .50 ea. |
| 358871-S | Air Cleaner Wing Nut 1/4" x 20 threads | 1957-59 | 1.50 ea. |
| 358939-S | Lower Door Bumpers for Hardtop, Convertible, Retract. | 1955-59 | 6.00 pr. |
| 359422-S | Ash Tray Door Bumpers | 1957-59 | 2.00 pr. |
| 359846-SQ | Back-Up Light Lens Screw Kit - Use with square lens | 1958 | 4.00 set |
| 359846-RD | Back-Up Light Lens Screw Kit - Use with round lens | 1958 | 4.00 set |
| 371211-5 | Back-Up Light Lens Screws - Set of six | 1959 | 4.00 set |
| 372167-L | Door Bumper-Fits on door jamb where rear of door closes against body & on rear lower part of door - 5/8" high Fits: Retractable Only | 1957-59 | 5.00 pr. |

COWL & FLOOR PAN RUBBER PLUGS

| | | | |
|----------|--|--|----------|
| 352291-S | Cowl & Floor Pan Rubber Plugs 3/4" | | 2.00 ea. |
| 352284-S | Cowl & Floor Pan Rubber Plugs 1-1/4" | | 2.00 ea. |
| 352285-S | Cowl & Floor Pan Rubber Plugs 1-1/2" - Ford in stock | | 2.00 ea. |
| 357216-S | Cowl & Floor Pan Rubber Plugs 1.87" - in stock | | 2.00 ea. |

*We are here to serve you.
In order to serve you better, we would like to know of your particular needs.
Drop us a card.
Thank you for your continued patronage.
Jerry*



INTERIOR TRIM SCREW KITS

All Screws Are Stainless Steel

| | | | |
|-------------|-------------------------|------|-----------|
| B7A-5180902 | Retractable | 1957 | 22.50 kit |
| B7A-6080902 | 2-Door Victoria Hardtop | 1957 | 17.00 kit |
| 87A-7080912 | 2-Door Sedan | 1957 | 17.00 kit |
| B7A-7380902 | 4-Door Sedan | 1957 | 17.00 kit |
| B7A-7680902 | Convertible | 1957 | 17.00 kit |
| B8A-5180902 | Retractable | 1958 | 22.50 kit |
| B8A-6080902 | 2-Door Hardtop Victoria | 1958 | 17.00 kit |
| B8A-7080902 | 2-Door Sedan | 1958 | 17.00 kit |
| B8A-7380902 | 4-Door Sedan | 1958 | 17.00 kit |
| B8A-5180902 | Convertible | 1958 | 17.00 kit |
| B9A-5180902 | Retractable | 1959 | 22.50 kit |
| B9A-6080902 | 2-Door Hardtop | 1959 | 17.00 kit |
| B9A-7080902 | 2-Door Sedan | 1959 | 17.00 kit |
| B9A-7380902 | 4-Door Sedan | 1959 | 17.00 kit |
| B9A-7680902 | Convertible | 1959 | 17.00 kit |

CONTINENTAL KITS

"All kits come complete with mounting hardware, bolts and any stainless or chrome to complete installation."

| | | |
|------|-------------|---------|
| 1957 | Retractable | 1499.00 |
| | Convertible | 1499.00 |
| 1958 | Retractable | 1599.00 |
| | Convertible | 1599.00 |
| 1959 | Retractable | 1699.00 |
| | Convertible | 1699.00 |

SEAT KITS

"All the below seat kits come with front and rear seats, pre-sewn, in all original fabrics."

Please specify color

| | | |
|---------|---|--------------|
| 1957-58 | Convertible | 995.00 ea. |
| 1957-58 | Retractable | 995.00 ea. |
| 1957-58 | Fairlane 500 Club Victoria Tudor Hardtop | 995.00 ea. |
| 1957-58 | Fairlane 500 Town Victoria Fordor Hardtop | 1025.00 ea. |
| 1957-58 | Fairlane 500 Tudor Club/Fordor Town Sedan | 1290.00 ea. |
| 1957-58 | Fairlane Club Victoria Tudor Hardtop | 1125.00 ea. |
| 1957-58 | Fairlane Town Victoria Fordor Hardtop | 1125.00 ea. |
| 1957-58 | Ranchero | 630.00 ea. |
| 1957-58 | Custom 300 Ranchero | \$630.00 ea. |
| 1957-58 | Del Rio Ranch Wagon | \$940.00 ea. |
| 1959 | Custom 300 Ranchero | \$630.00 ea. |
| 1959 | Convertible | 1149.00 ea. |
| 1959 | Retractable | 1370.00 ea. |
| 1959 | Victoria Tudor/Victoria Fordor Hardtop | 1370.00 ea. |
| 1959 | Galaxie Town & Club Sedan | 1370.00 ea. |

1957 Available Interior Colors:

Convertibles:

- Flame Red/Colonial White vinyl
- Dresden Blue/Colonial White vinyl
- Cumberland Green/Colonial White vinyl
- Raven Black/Colonial White vinyl

Retractable:

- Red Airweave/Colonial White vinyl
- Black Airweave/Colonial White vinyl
- Brown Airweave/Colonial White vinyl
- Blue Airweave/Starmist Blue vinyl
- Green Airweave/Willow Green vinyl

Fairlane 500 Club Victoria Tudor/

Town Victoria Fordor Hardtops:

- Red Silver Shadow fabric/Colonial White vinyl
- Blue Silver Shadow fabric/Colonial White vinyl
- Green Silver Shadow fabric/Colonial White vinyl
- Black Silver Shadow fabric/Colonial White vinyl
- Brown Silver Shadow fabric/Colonial White vinyl
- Gold Ripple Shadow fabric/Black vinyl

Fairlane 500 Tudor Club Sedan/

Fordor Town Sedans:

- Gray Sculptured/Gray Basketweave fabrics
- Brown Sculptured/Brown Basketweave fabrics
- Green Sculptured/Green Basketweave fabrics
- Blue Sculptured/Blue Basketweave fabrics
- Black Sculptured/Gold Basketweave fabrics

Fairlane Club Victoria Tudor/

Town Victoria Fordor Hardtops:

- Brown Tropical Leaf fabric/Colonial White vinyl
- Blue Tropical Leaf fabric/Colonial White vinyl
- Green Tropical Leaf fabric/Colonial White vinyl
- Gray Tropical Leaf fabric/Colonial White vinyl

Ranchero & Ranch Wagon:

- Flame Red Embossed/Colonial White vinyl
- Cumberland Green Embossed/Colonial White vinyl
- *Blue Silver Tweed Woven Plastic/Colonial White vinyl
- *Tan Silver Tweed Woven Plastic/Colonial White vinyl
- **Black Embossed/Colonial White vinyl

*Very limited supply of tweed woven plastic

**Non-factory original

1958 Available Interior Colors:

Convertibles:

- Red Whipcord vinyl/Colonial White
- Blue Whipcord vinyl/Light Blue
- Gulfstream Whipcord vinyl (Turquoise)/Colonial White
- Black Whipcord vinyl/Colonial White

Retractable:

- Red Royal Scot Tweed/Colonial White
- Black Royal Scot Tweed/Colonial White
- Brown Royal Scot Tweed/Beige
- Blue Royal Scot Tweed/Blue
- Gulfstream Royal Scot Tweed (Turquoise)/Colonial White

Fairlane 500 Club Victoria Tudor/Town Victoria Fordor

Hardtops:

- Red Royal Scot Tweed/Colonial White
- Blue Royal Scot Tweed/Blue
- Green Royal Scot Tweed/Light Green
- Black Royal Scot Tweed/Colonial White
- Brown Royal Scot Tweed/Beige
- Black Royal Scot Tweed/Yellow (Gold)
- Gulfstream Royal Scot Tweed (Turquoise)/Colonial White

Fairlane 500 Tudor Club Sedan/

Fordor Town Sedans:

- Call for color availability

Fairlane Club Victoria Tudor/

Town Victoria Fordor Hardtops:

- Brown Random Block cloth/Beige vinyl
- Blue Random Block cloth/Blue vinyl
- Green Random Block cloth/Green vinyl
- Black Random Block cloth/Colonial White vinyl

Rancheros:

- Call for availability

1959 Available Interior Colors:

- Red/Black
- Geranium/Black
- Two-Tone Green
- Blue/Blue
- Two-Tone Turquoise
- Two-Tone Brown
- Gold/Black



POWER SEAT MOTOR

B8A-14547-AX NEW Power Seat Motor 1958-60 \$175.00 ea.

DOOR PANEL KITS

"All the below panel kits come with: two front door panels mounted on new die-cut boards, two front arm rest covers, two upper rear quarters mounted on new die cut boards, two lower rear quarter arm rest, two kick panels, shelf and flipper lid vinyl (retractable/HT only), all windlacing, under seat boards die cut, and under rear seat vinyl."

| | | |
|---------|---|-------------|
| 1957-58 | Convertible | 995.00 ea. |
| 1957-58 | Retractable | 995.00 ea. |
| 1957-58 | Fairlane 500 Club Victoria Tudor Hardtop | 1160.00 ea. |
| 1957-58 | Fairlane 500 Club Victoria Fordor Hardtop | 1239.00 ea. |
| 1957-58 | Fairlane 500 Tudor Club/Fordor Town Sedan | 1370.00 ea. |
| 1957-58 | Fairlane Club Victoria Tudor Hardtop | 1239.00 ea. |
| 1957-58 | Fairlane Town Victoria Fordor Hardtop | 1239.00 ea. |
| 1957-58 | Ranchero | 699.00 ea. |
| 1959 | Convertible | 1100.00 ea. |
| 1959 | Retractable | 1215.00 ea. |
| 1959 | Hardtops & Sedans | 1550.00 ea. |
| 1959 | Ranchero | 765.00 ea. |

CONVERTIBLE TOP ITEMS

| | | |
|---------|--|--------------|
| 1957-59 | Vinyl Convertible Top Kit - Kit includes top, pads, and rear curtain - specify color | \$550.00 kit |
| 1957-59 | Stay-Fast Convertible Top Kit (Cloth Top) - Kit includes top, pads, and rear curtain - specify color | \$850.00 kit |
| 1957-59 | Convertible Top Well Assembly - specify color | \$198.00 ea. |
| 1957-59 | Convertible Top Boot Assembly - includes cover and bag - specify color | \$185.00 ea. |



HEADLINERS

| | | | |
|---------|---|---------|------------|
| 3175 | Ford Fairlane 500 Retractable H/T - Body 51A - Perforated Off White Headliner | 1957-58 | 225.00 ea. |
| 3175-BD | Ford Fairlane 500 Retractable H/T - Body 51A - Black Dot Off White Headliner (<i>Original Headliner</i>) | 1957-58 | 325.00 ea. |
| 3173 | Ford Fairlane 500 Tudor H/T - Body 63 - Perforated - Off White Headliner | 1957-58 | 225.00 ea. |
| 3173-BD | Ford Fairlane 500 Tudor H/T - Body 63 - Black Dot Off White Headliner (<i>Original Headliner</i>) | 1957-58 | 325.00 ea. |
| 3193 | Ford Galaxie Tudor H/T - Body 63 - Perforated - Off White Headliner | 1959 | 225.00 ea. |
| HL-59R | Ford Retractable H/T Headliner - Premounted on Boards (<i>Original Headliner</i>) | 1959 | 525.00 ea. |
| HLB-59R | Ford Retractable Headliner Bows - Off White Plastic Retainers | 1959 | 125.00 pr. |

CARPET SETS

| | | | |
|------------------|---|--|------------|
| 1957, 1958, 1959 | We have all colors and models. Carpets sewn just like the original With correct Heel & Padding | | 330.00 set |
|------------------|---|--|------------|

GLASS

| | | | |
|---------|--|-------------------------------|--|
| DW478 | Front windshield - Clear Shaded Tinted | 1957-58 1957-58 1957-58 | 525.00 ea. 550.00 ea. 575.00 ea. |
| DW572 | Front windshield - Clear Shaded | 1959 1959 | 600.00 ea. 650.00 ea. |
| 1957-59 | Rear Glass - Retractable | 1957-59 | 550.00 ea. |

LUGGAGE TUBS

| | | | |
|------------------|---|--|------------|
| 1957, 1958, 1959 | Tubs - Bare Metal - New Just like Original - Retractable Only | | 425.00 ea. |
|------------------|---|--|------------|

DECK LID JACKS

| | | | |
|------------------|---|--|--------------------------|
| 1957, 1958, 1959 | Rebuilt - Without Core Rebuilt - With Core | | 550.00 ea. 200.00 ea. |
|------------------|---|--|--------------------------|

TOP & DECK LID JACKS

The below items are the gray colored covers for the top lift jacks and deck lid jacks

| | | | |
|---------|--|--|-------------------------|
| 1957-59 | Retractable Jack Tubes Large with Bushings Without Bushings | | 110.00 pr. 75.00 pr. |
| 1957-59 | Top & Deck Lid Jack - Cover Kit | | 155.00 set |
| 1957-59 | Small Deck Lid Jack Tubes | | 50.00 pr. |

EXTERIOR MOLDING CLIP SETS

| | | | |
|------------|--|------|------------|
| B7A-0051-A | Retractable/Conv. Exterior Clip Kit. Kit includes all fasteners for upper and lower doors and fenders, quarter fins, and anchors. 98 pieces total. | 1957 | 285.00 kit |
| B8A-0051-A | Retractable/Conv. Exterior Clip Kit. Kit includes all fasteners for upper and lower doors, quarters, fenders, and anchors. 102 pieces total. | 1958 | 286.50 kit |
| B9A-0051-A | Retractable/Conv. Exterior Clip Kit. Kit includes all fasteners for upper and lower doors, fenders, lower rear quarters, quarter fins and anchors. 100 pieces total. | 1959 | 282.00 kit |
| B7A-0063-B | Tudor HT/Tudor Post. Exterior Clip Kit. Kit includes all fasteners for upper and lower doors and fenders, quarter fins, top and anchors. 118 pieces total. | 1957 | 343.00 kit |
| B8A-0063-B | Tudor HT/Tudor Post. Exterior Clip Kit. Kit includes all fasteners for upper and lower doors, quarters, fenders, top and anchors. 122 pieces total. | 1958 | 345.00 kit |



KELSEY-HAYES WIRE WHEELS

| | | |
|---------|---|-------------|
| 1957-59 | Kelsey Hayes - Wire Wheels - Comes White, Red, Blue or Black centers - set of 4 | 1650.00 set |
|---------|---|-------------|

EXTERIOR SIDE TRIM SETS

This material is the corrugated aluminum for doors, fenders & rear quarters

| | | |
|------|--|------------|
| 1957 | Retractable & Convertibles (Gold) Side Trim - 4 piece set | 500.00 set |
| 1958 | Retractable & Convertibles (Gold) Trim - 4 piece set | 400.00 set |
| 1959 | Retractable & Convertibles Side Trim - 6 piece set | 400.00 set |
| 1959 | Retractable & Convertibles Rear Washboards - Rib piece behind rear wheel | 275.00 pr. |

TIRES

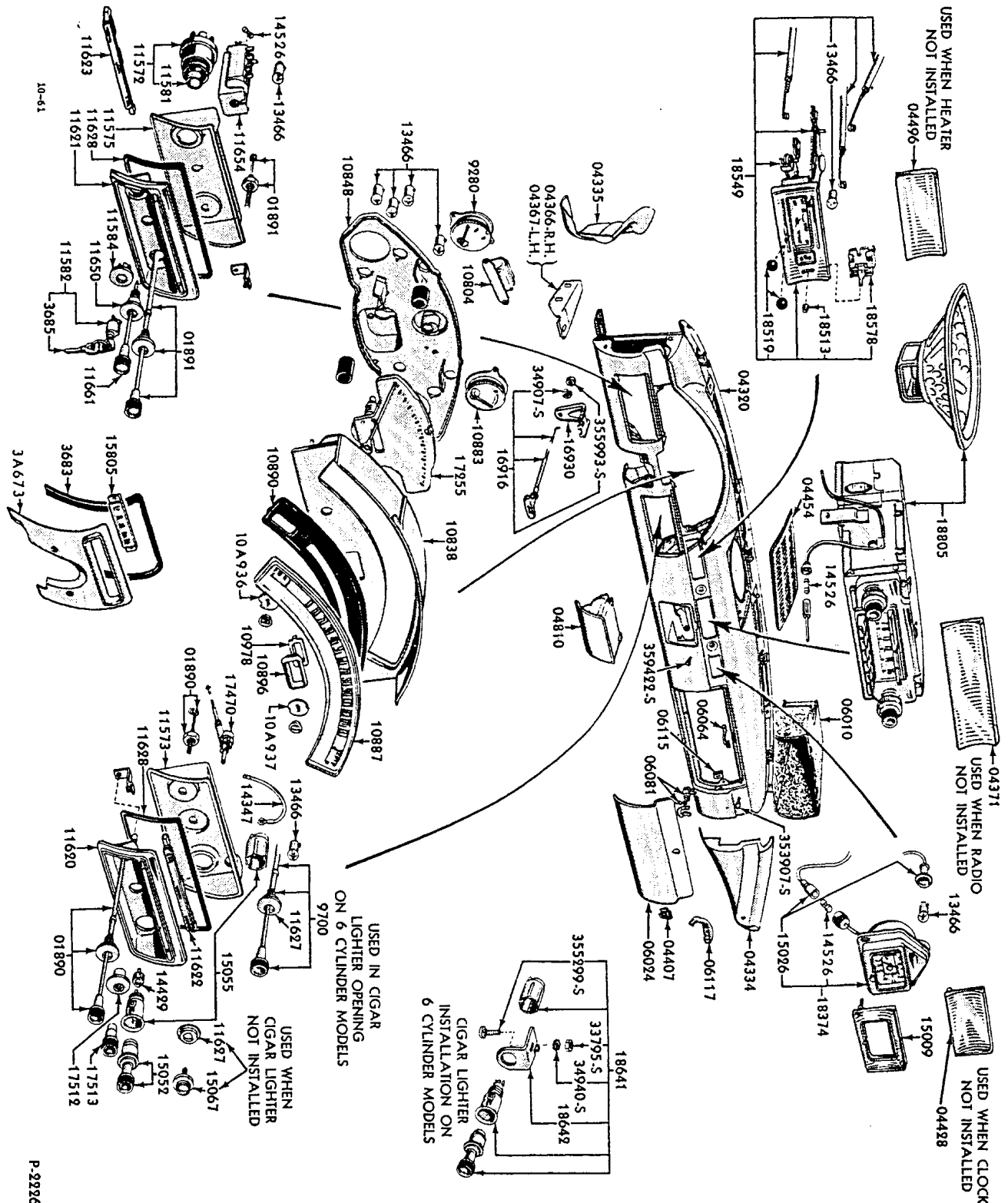
| | | |
|---------|--|------------|
| 1957-59 | Bias Ply Tire 800 x 14 with 2-1/4" White Wall | 175.00 ea. |
| 1957-59 | Radial Tire 215 x 75-14 with 2-1/4" White Wall | 235.00 ea. |



THE FOLLOWING PAGES ARE FOR REFERENCE ONLY.
THE PART NUMBERS **ARE NOT** CATALOGUE IN OUR COMPUTER.
WHEN INQUIRING ABOUT PARTS IN THIS SECTION,
LIST THE PAGE NUMBERS AND THE PART YOU ARE REFERENCING.



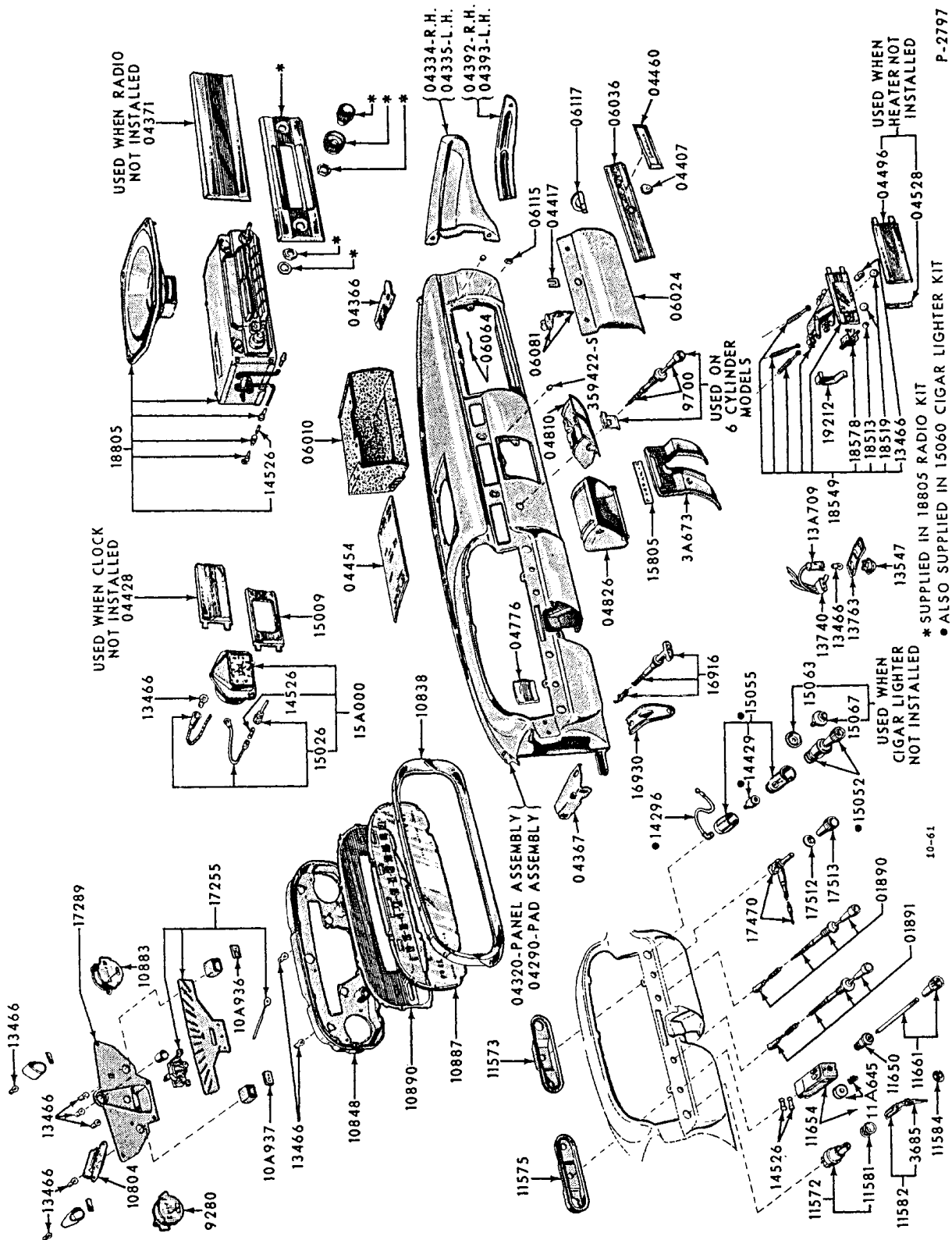
INSTRUMENT PANEL & RELATED PARTS



P-2226

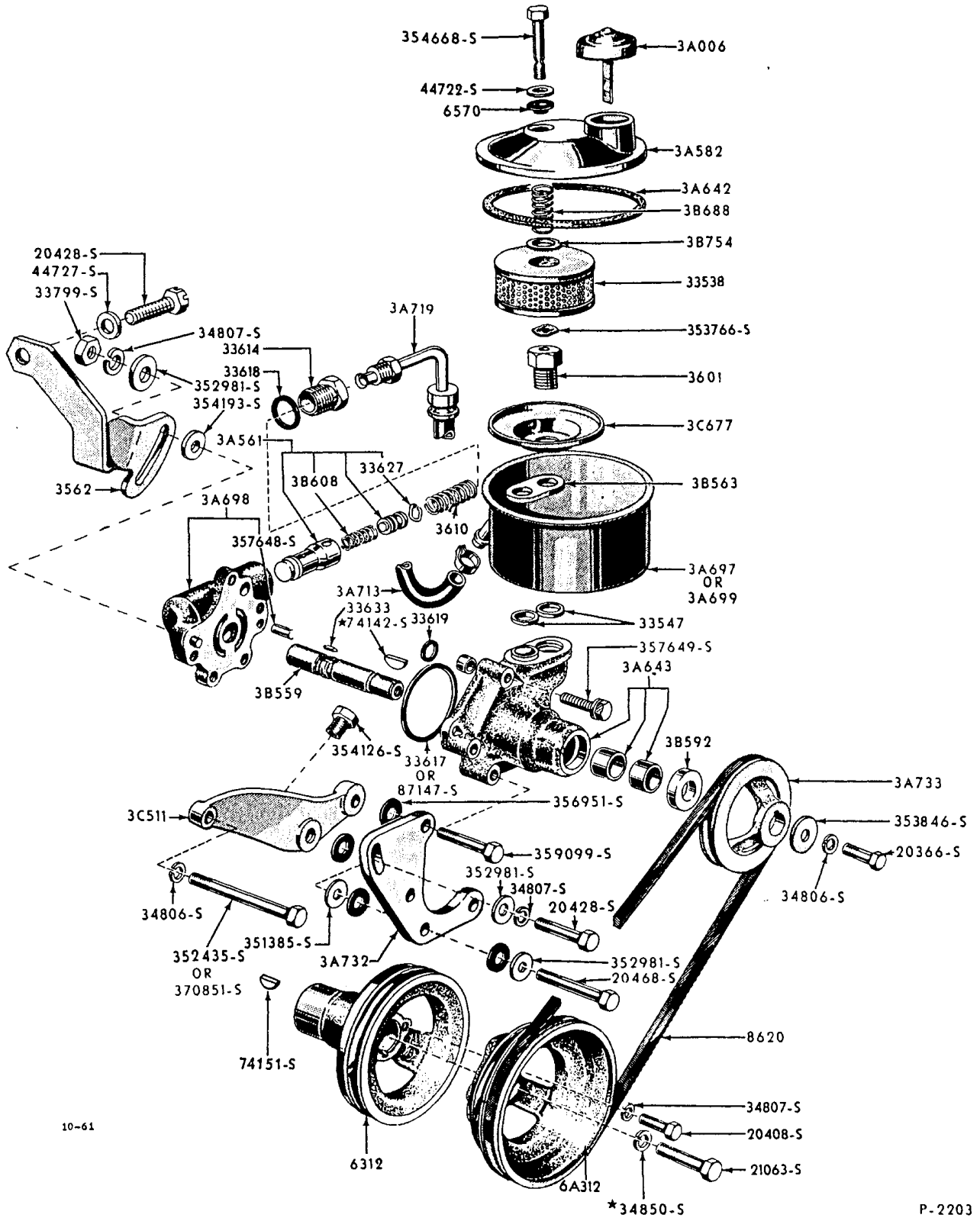
1957 Instrument Panel & Related Parts (Ford)

INSTRUMENT PANEL & RELATED PARTS



1959 Instrument Panel & Related Parts (Ford)

POWER STEERING

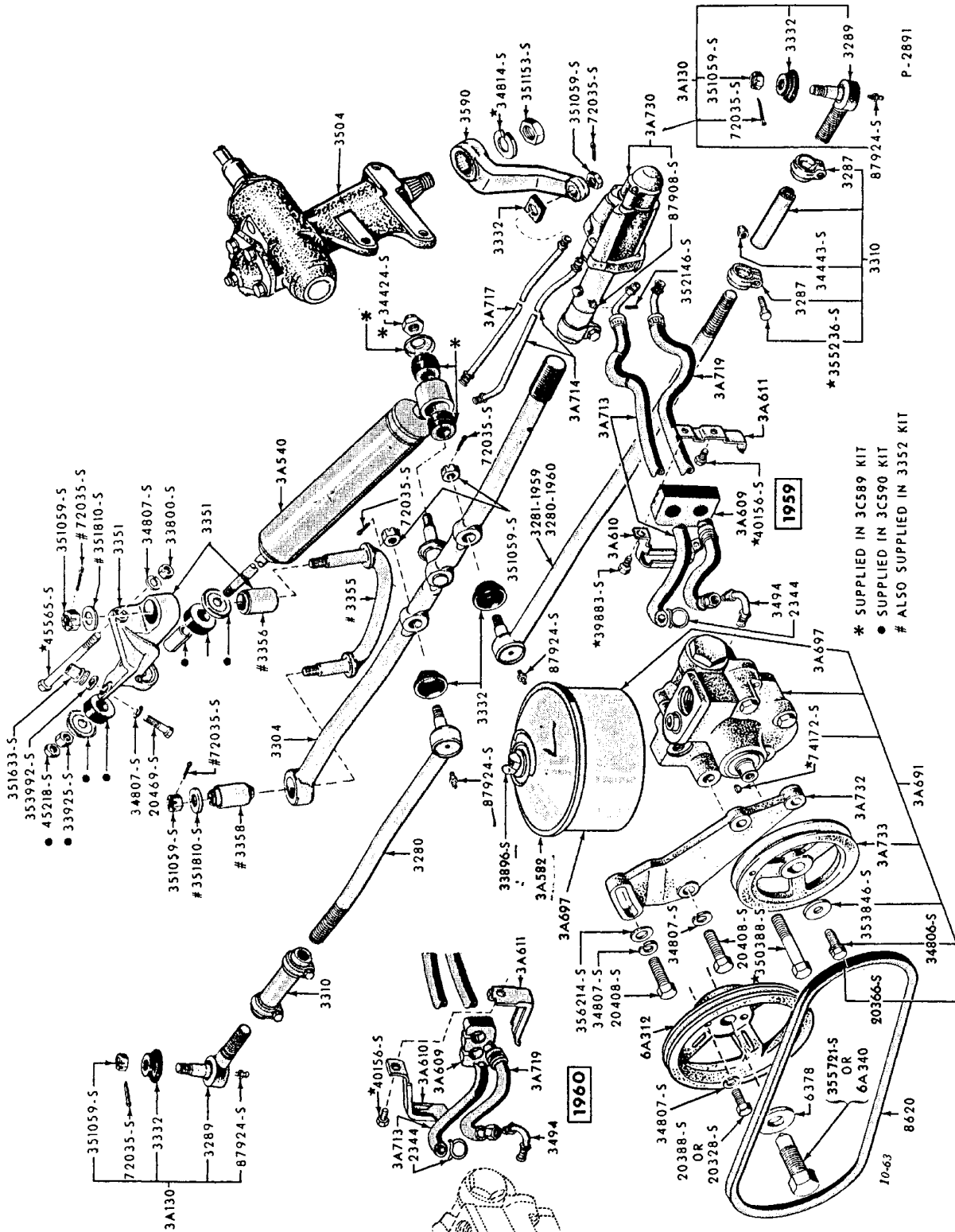


10-61

P-2203

1957 Power Steering Pump, Brackets & Reservoir (Ford 8 Cylinder)

POWER STEERING

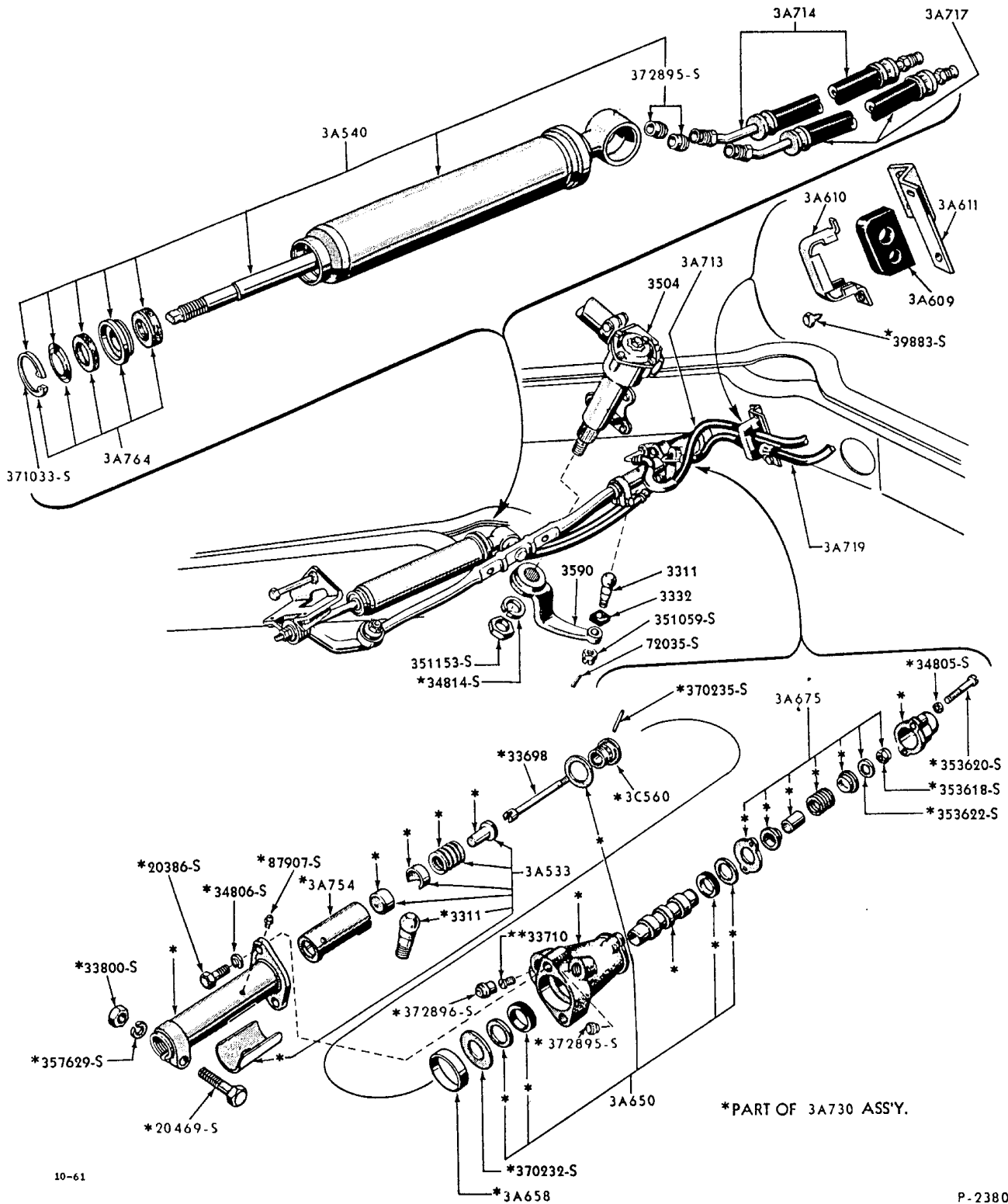


P-2891

1959 Power Steering System (Ford 8 Cylinder)



POWER STEERING



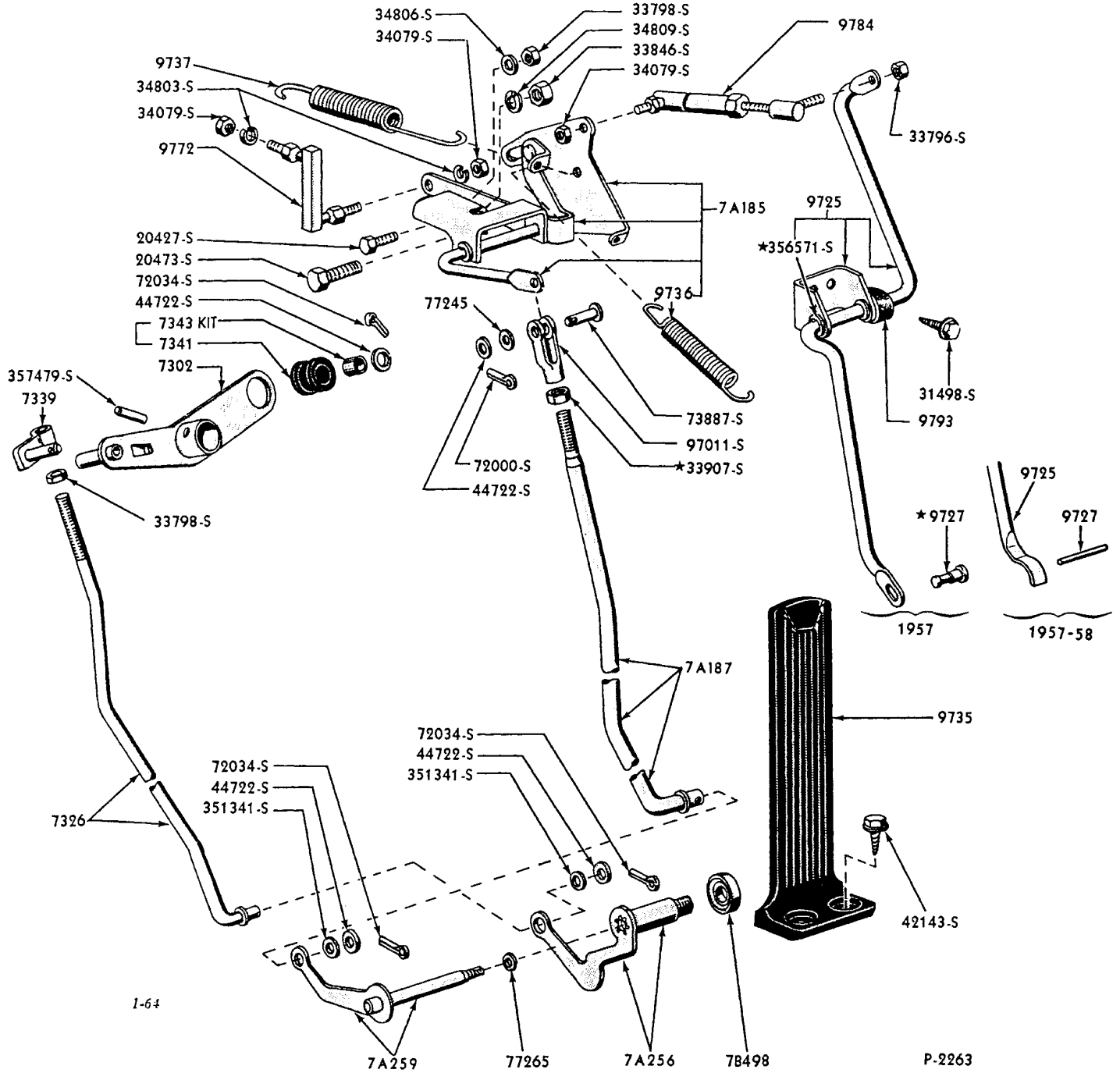
10-61

P-2380

1957 Power Steering Valve & Cylinder (Ford & Thunderbird)



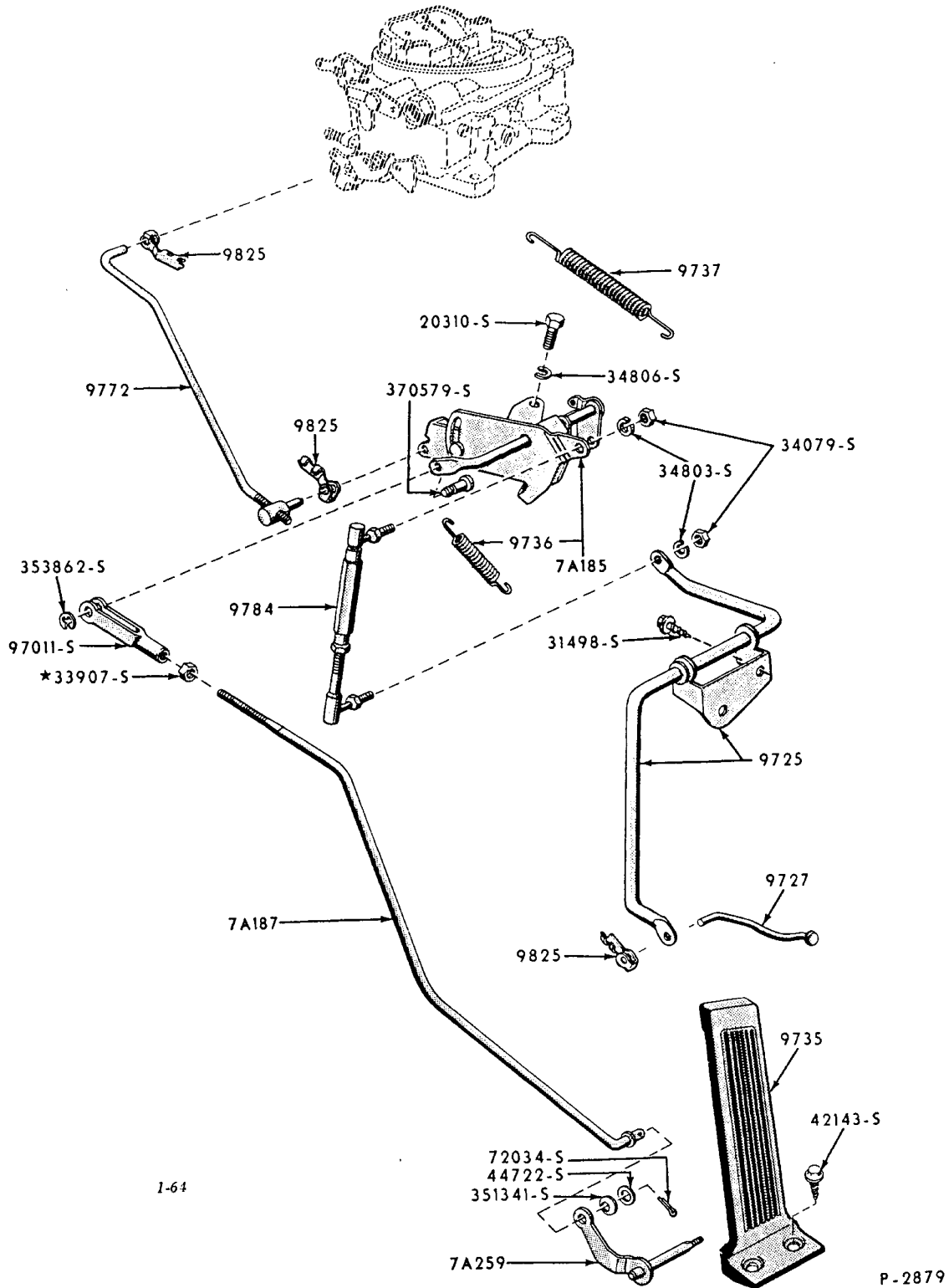
CYLINDER ACCELERATOR LINKAGE



1957- 58 6 Cylinder Accelerator Linkage (Ford-O-Matic)

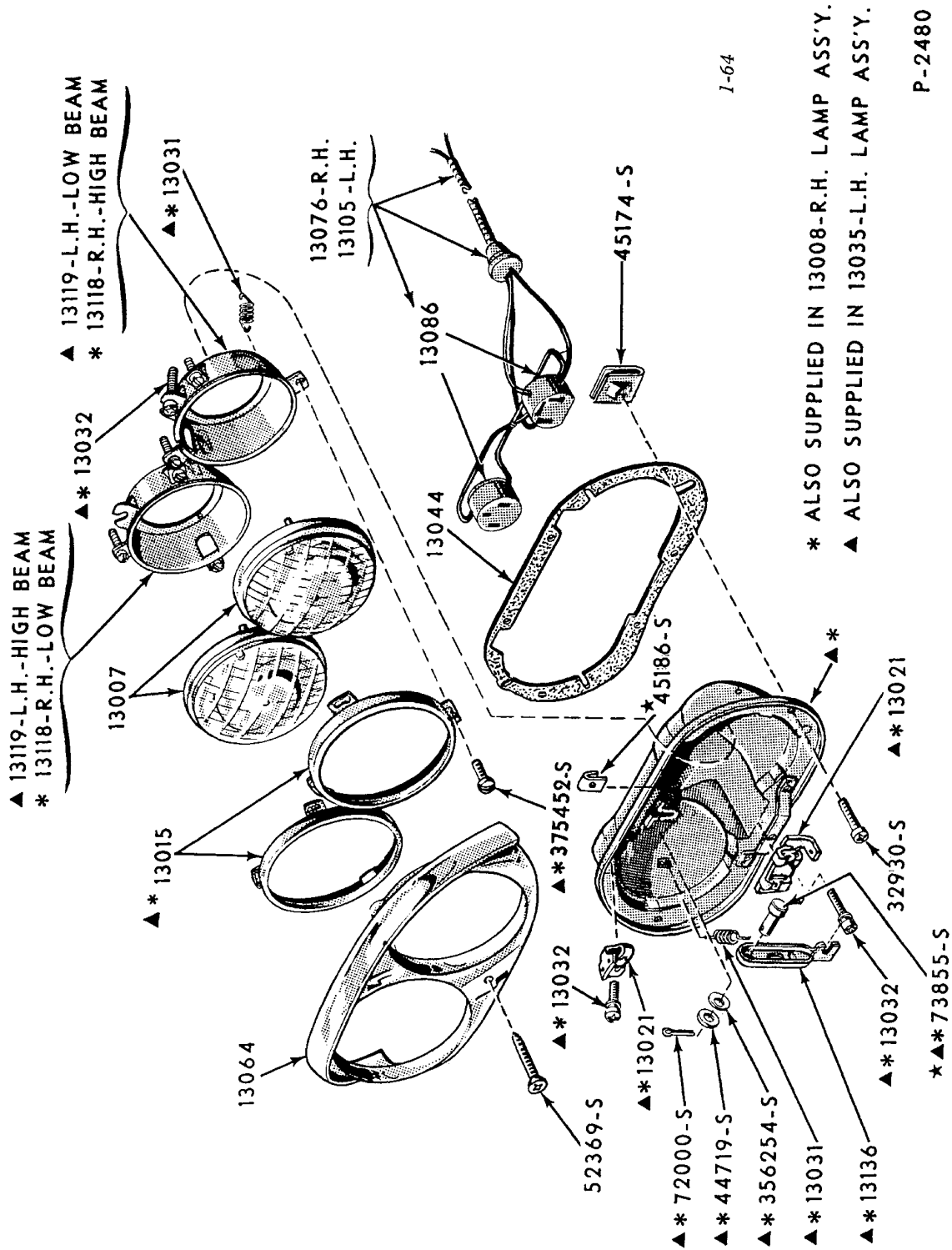


ACCELERATOR LINKAGE



1959 Accelerator Linkage (Thunderbird) (8 Cylinder 352 & 430 Engines)
(With Cruise-O-Matic Transmission)

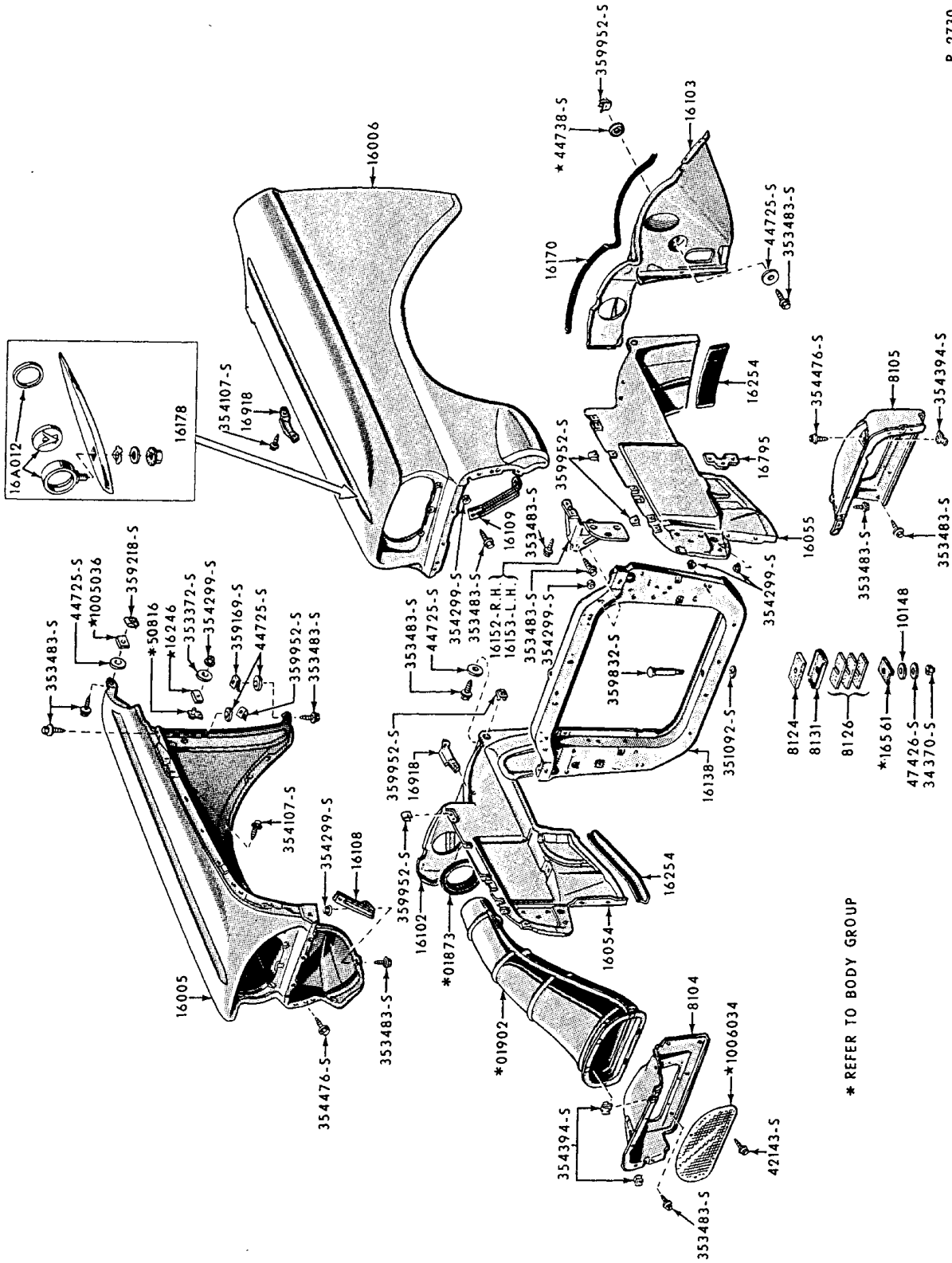
HEADLAMP



1958 Headlamp (Ford)

FENDERS

P-2730

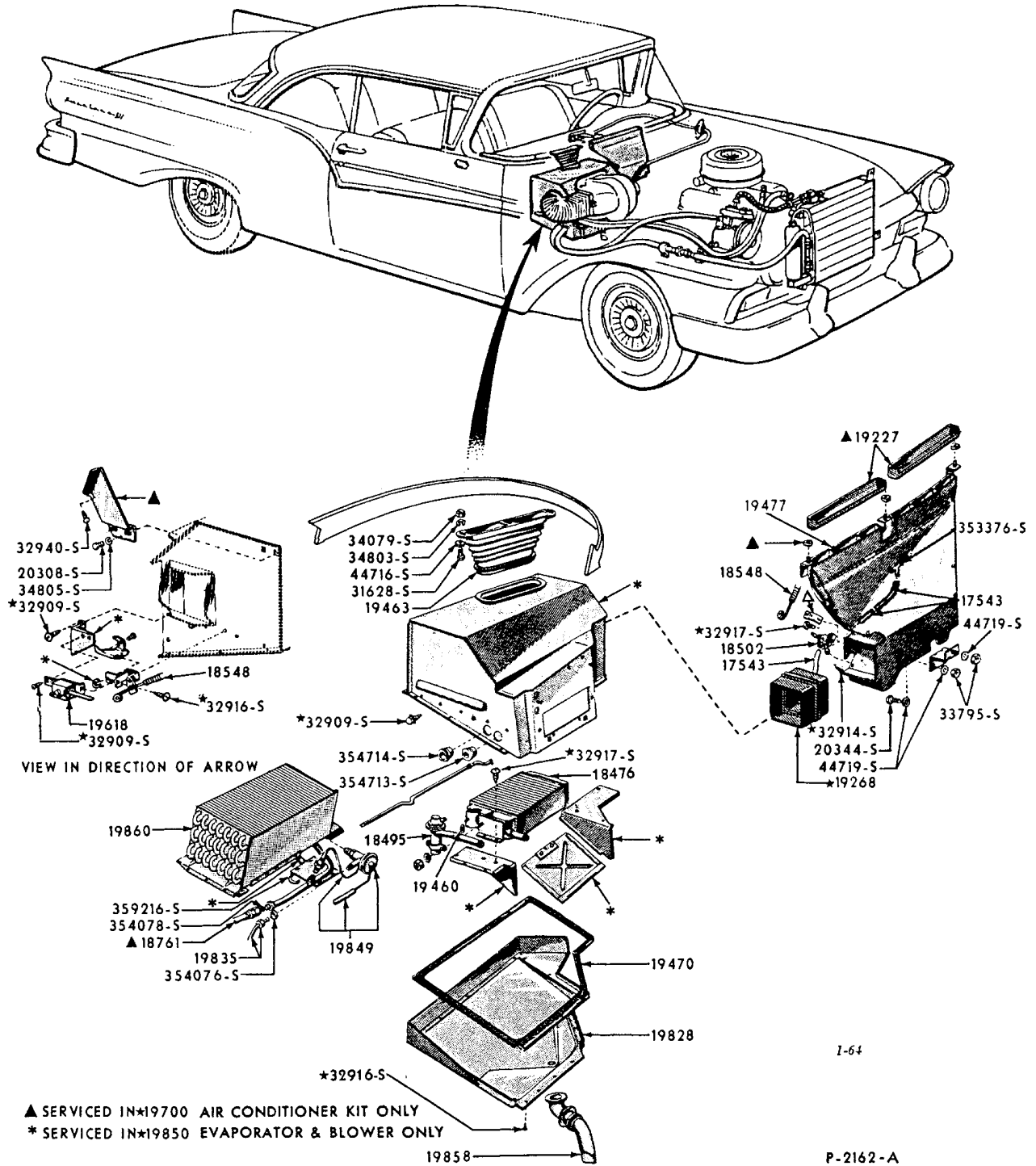


* REFER TO BODY GROUP

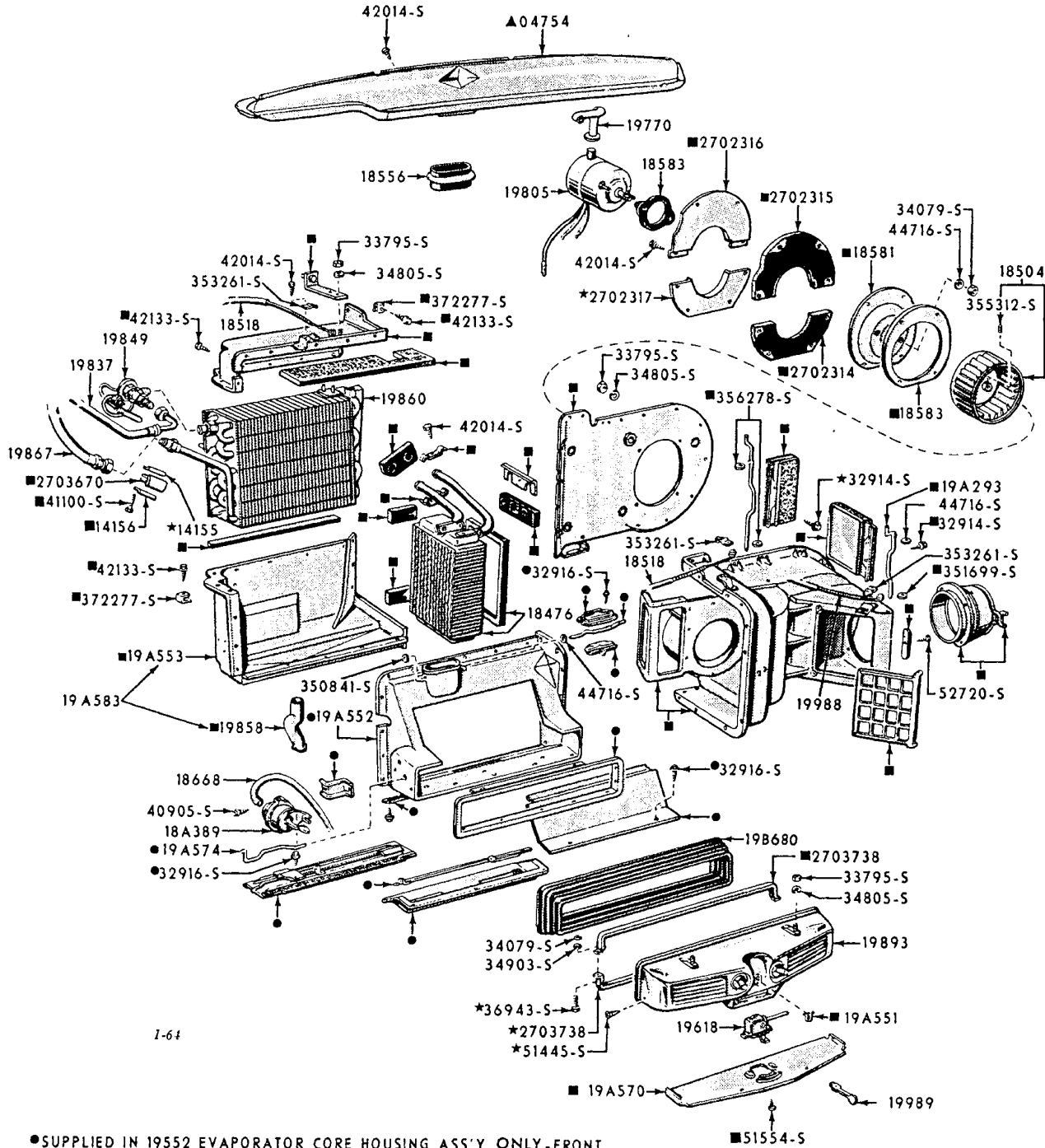
1959 Fenders & Related Parts (Ford)



AIRE CONDITIONER EVAPORATOR

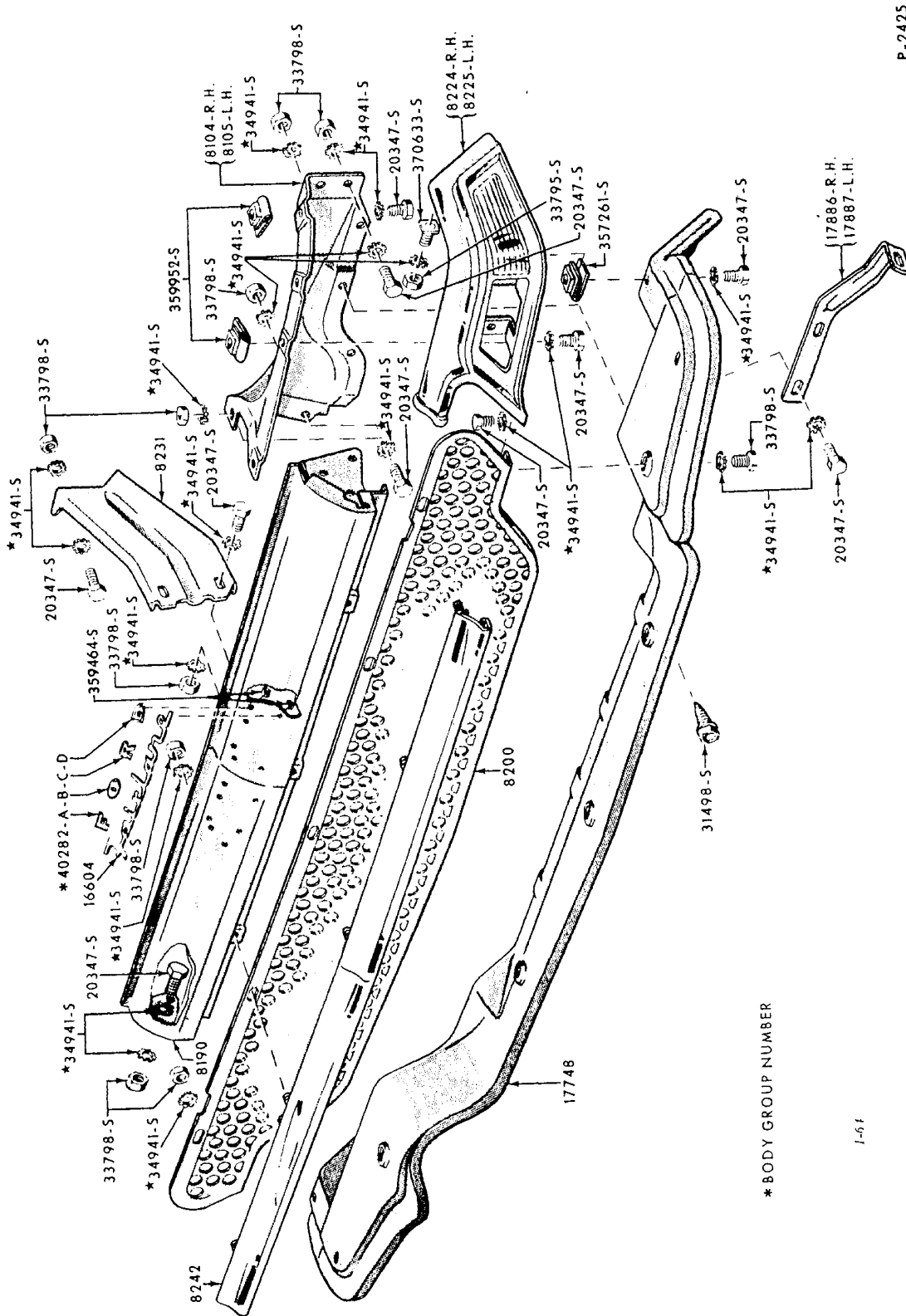


AIRE CONDITIONER & HEATER PARTS



P-2871

RADIATOR GRILLE

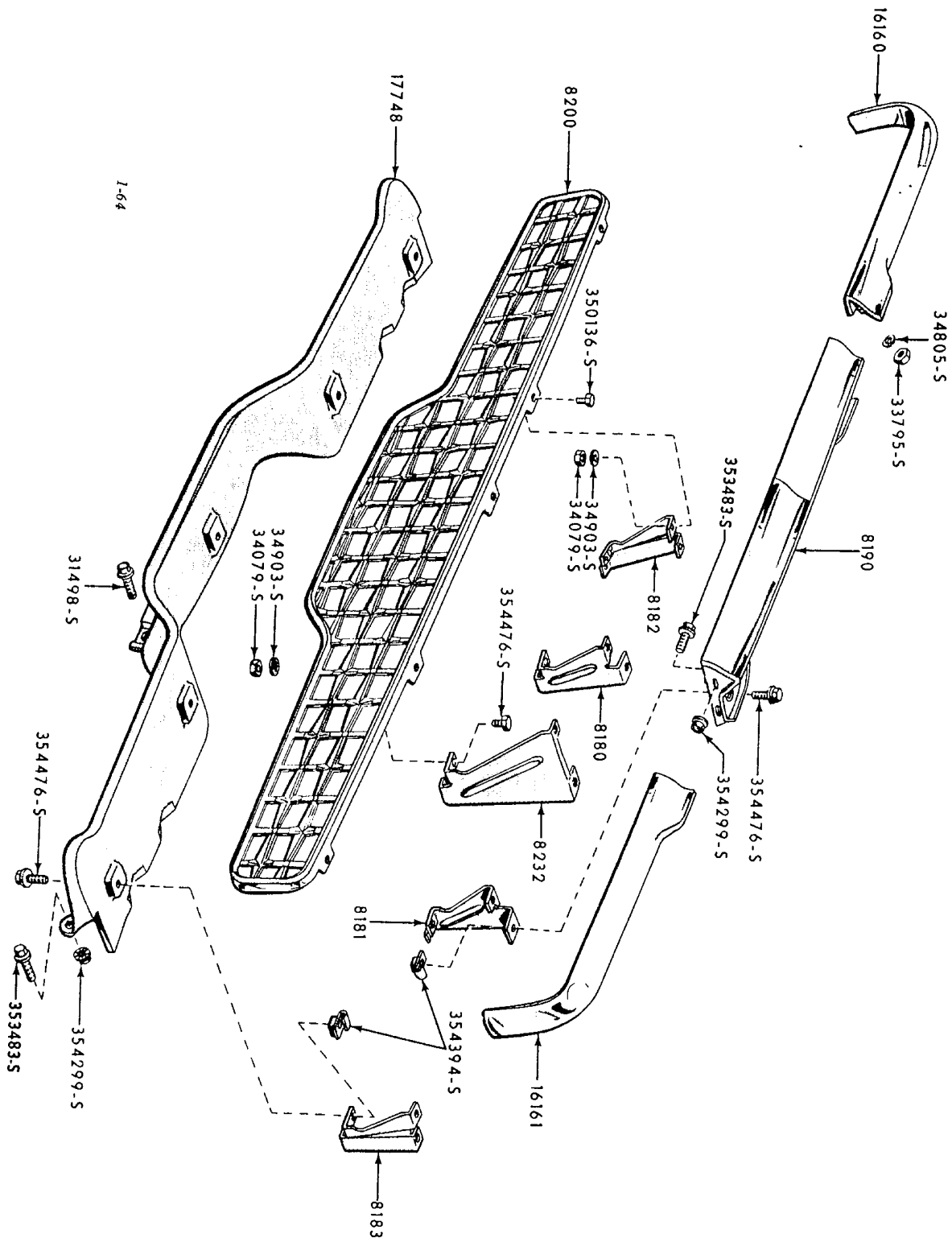


P-2425

* BODY GROUP NUMBER

1-61

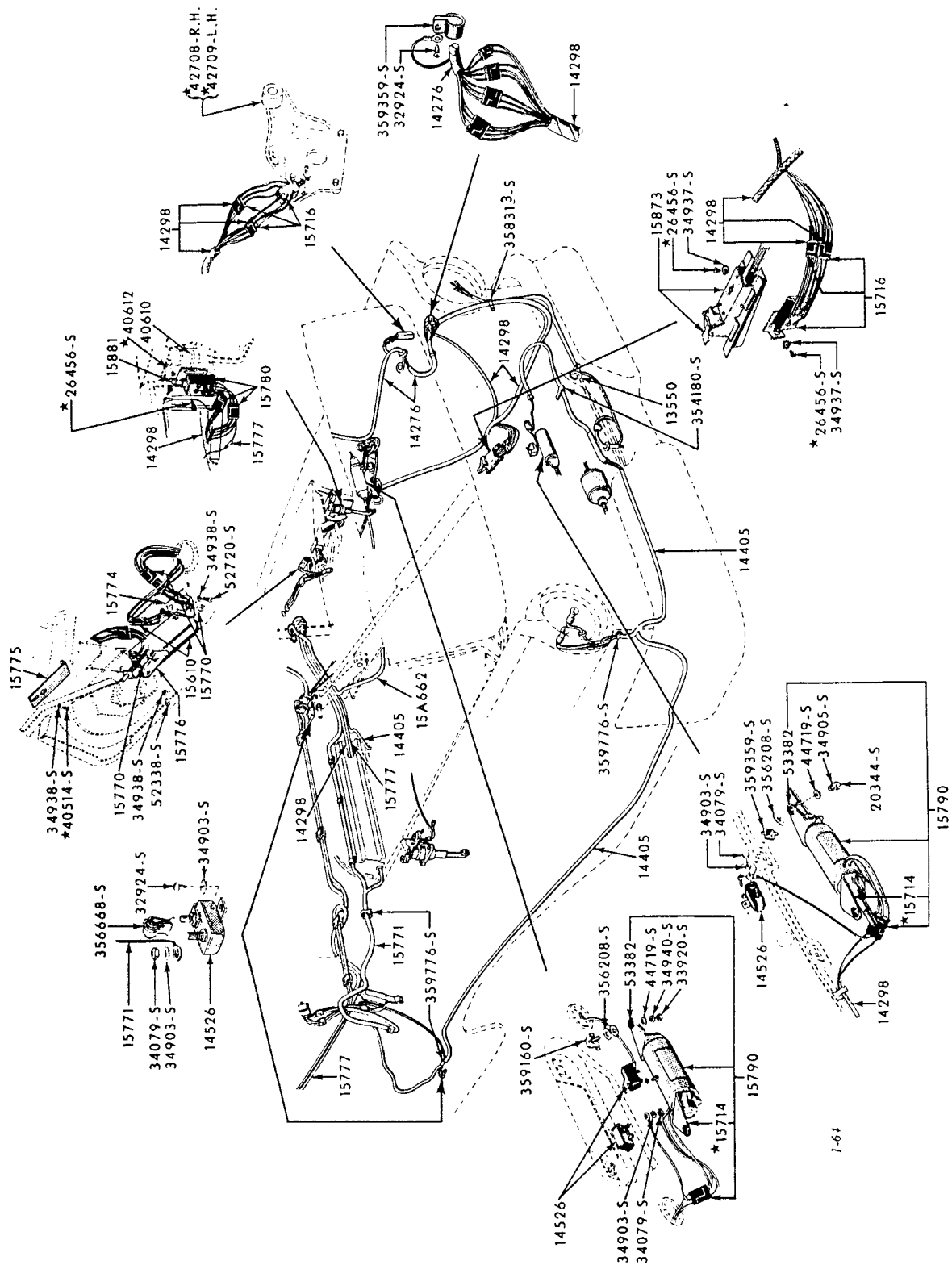
RADIATOR GRILLE



P-2729

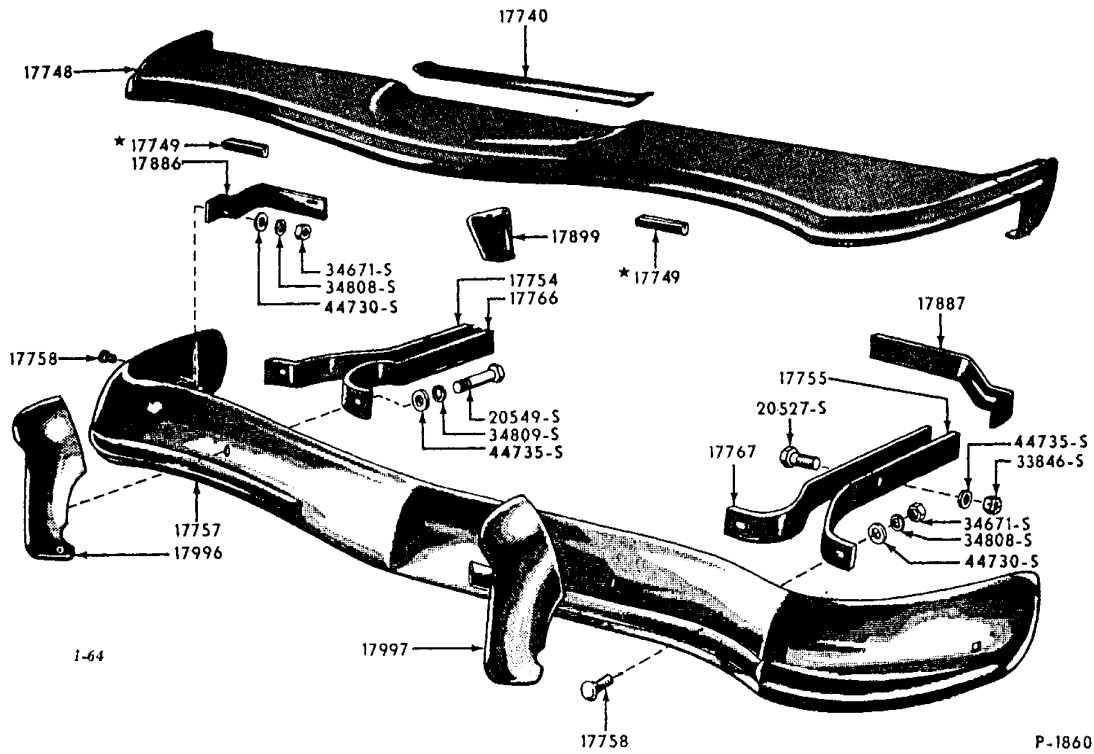
1959 Radiator Grille & Related Parts (Ford)

ELECTRICAL SYSTEMS

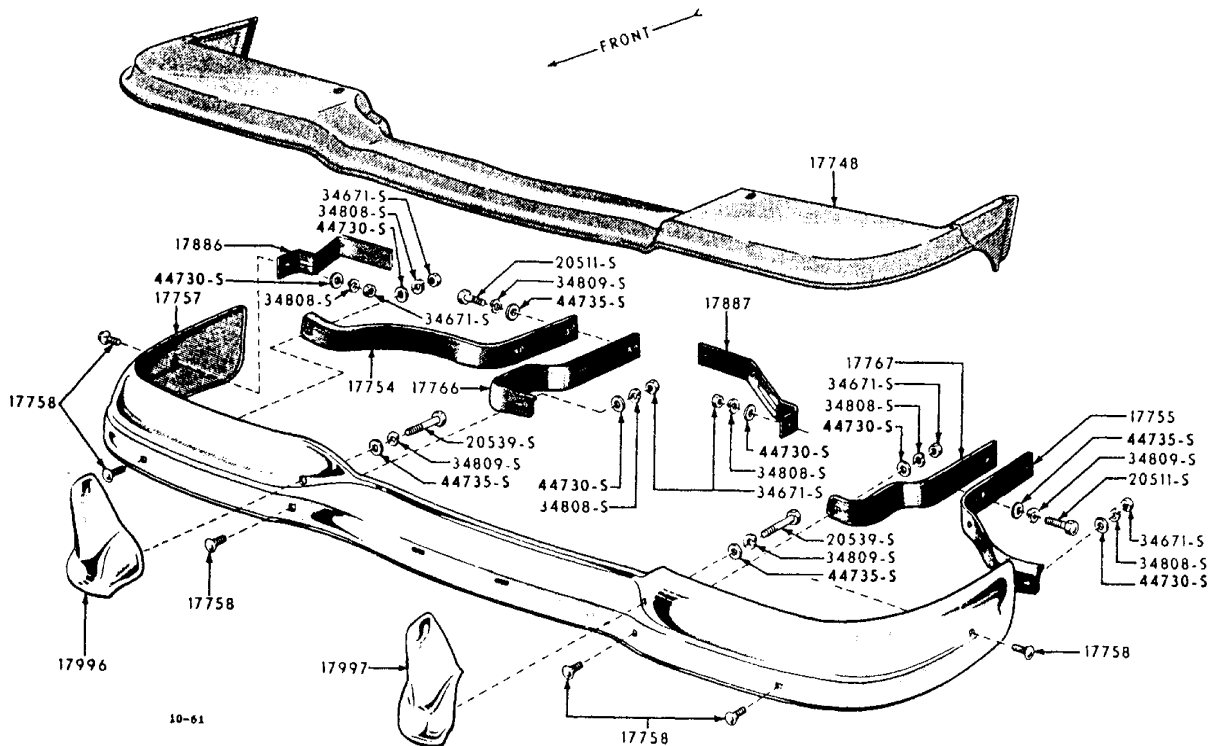


1957 / 59 Electrical System
(Retractable Hardtop Luggage Compartment Wiring, Relays, Switches, Motors, Etc.)

FRONT BUMPER



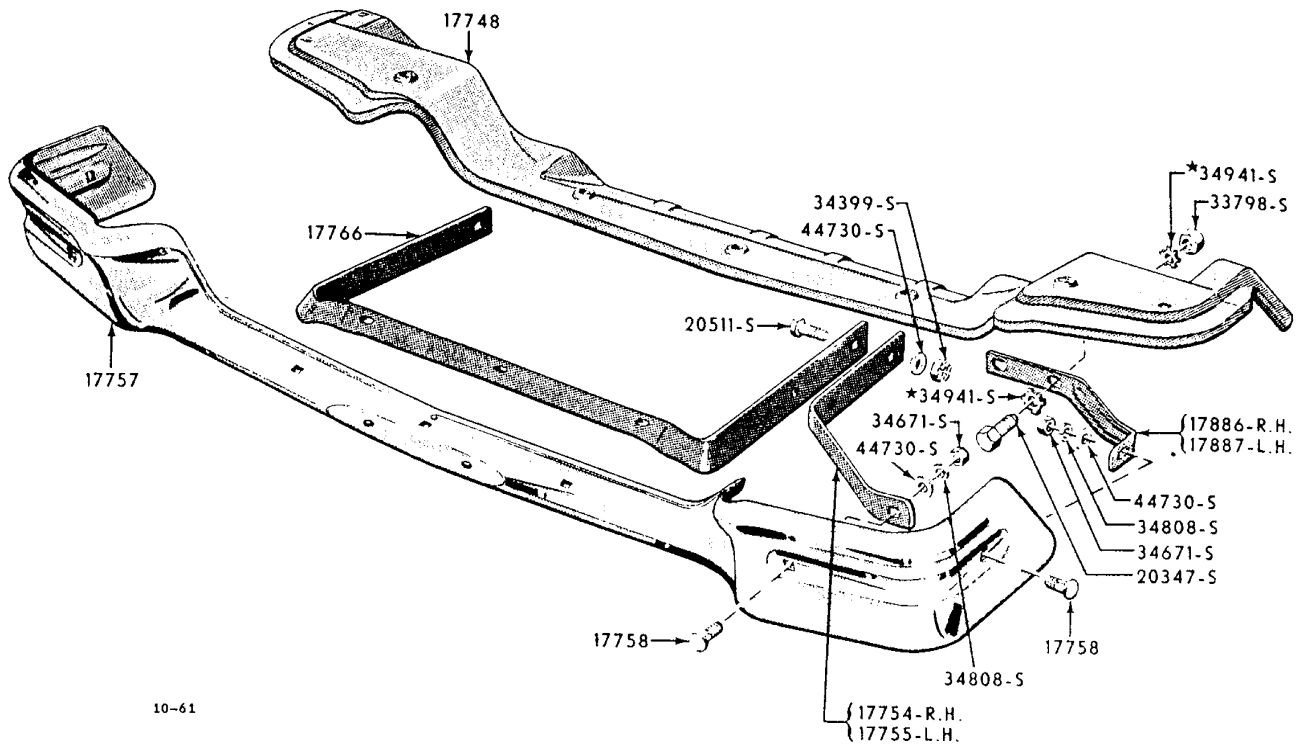
1955/56 FRONT BUMPER (FORD)



1957 Front Bumper (Ford)



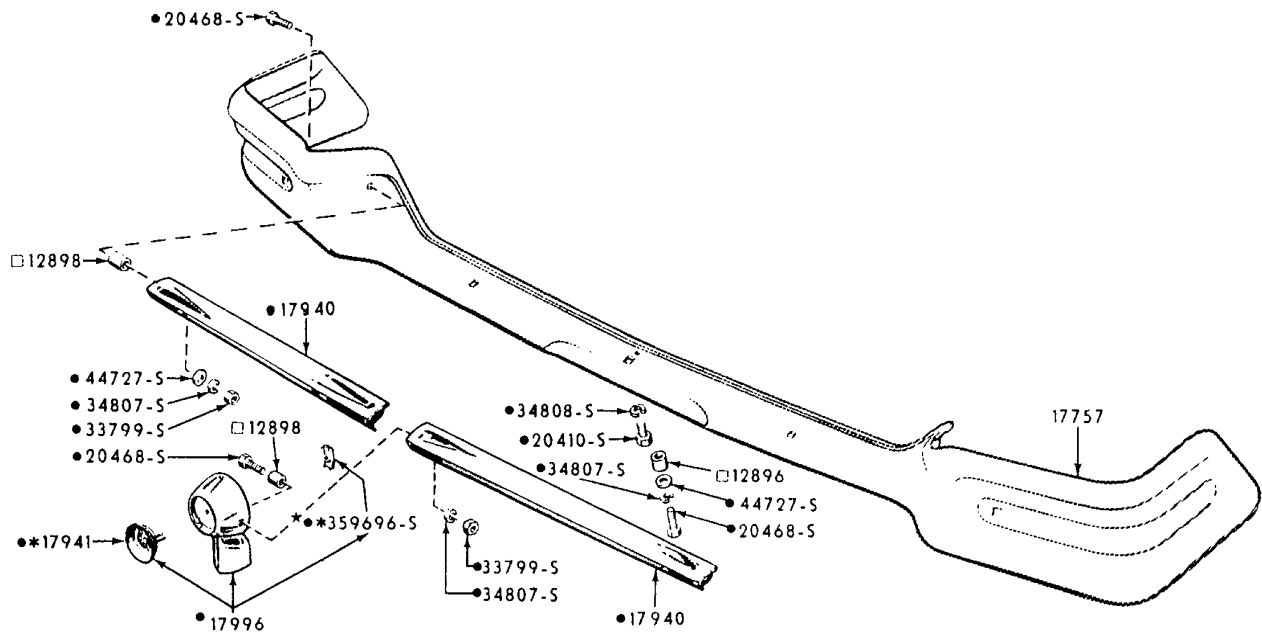
BUMPER PARTS



10-61

P-2427

1958 FRONT BUMPER (FORD)



- * ALSO SUPPLIED IN 17996 GUARD ASSEMBLY
- SUPPLIED IN 18412 GRILLE GUARD KIT ONLY
- ALSO SUPPLIED IN 18412 GRILLE GUARD KIT

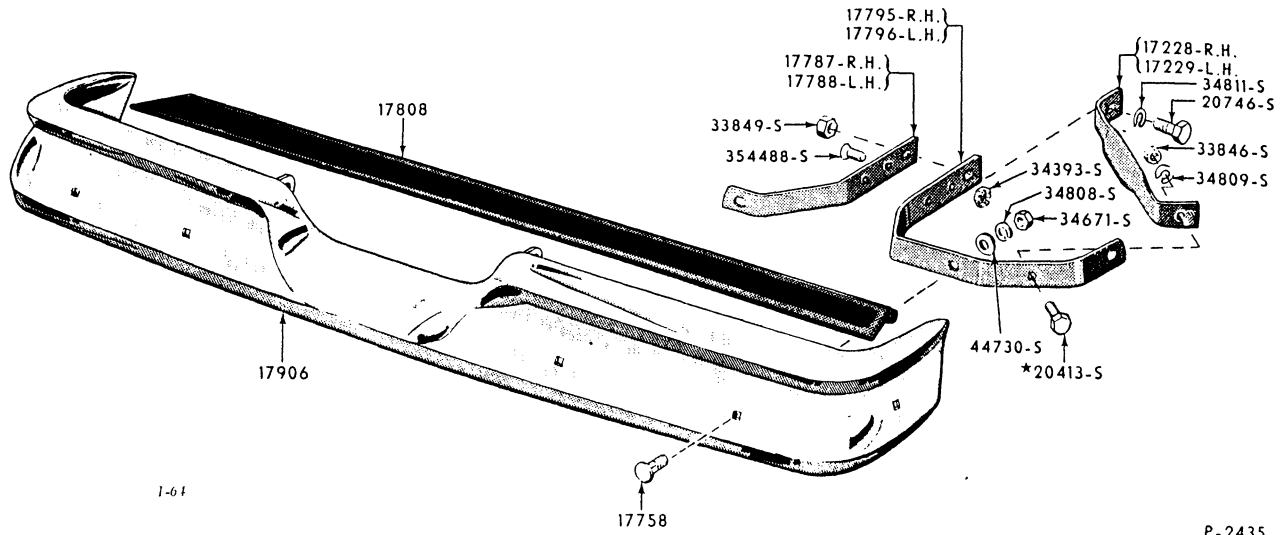
1-64

P-2624

1958 Front Bumper Grille Guard (Ford)

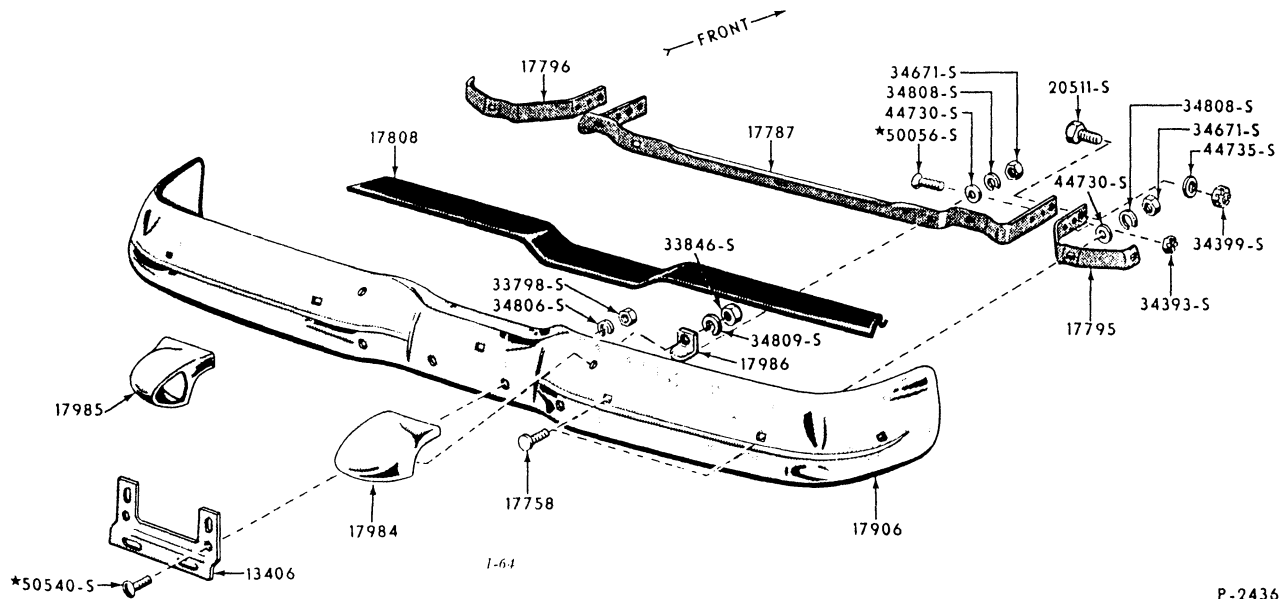


BUMPER PARTS



P-2435

1958 Rear Bumper (Ford - Except Station Wagon & Ranchero) - Typical

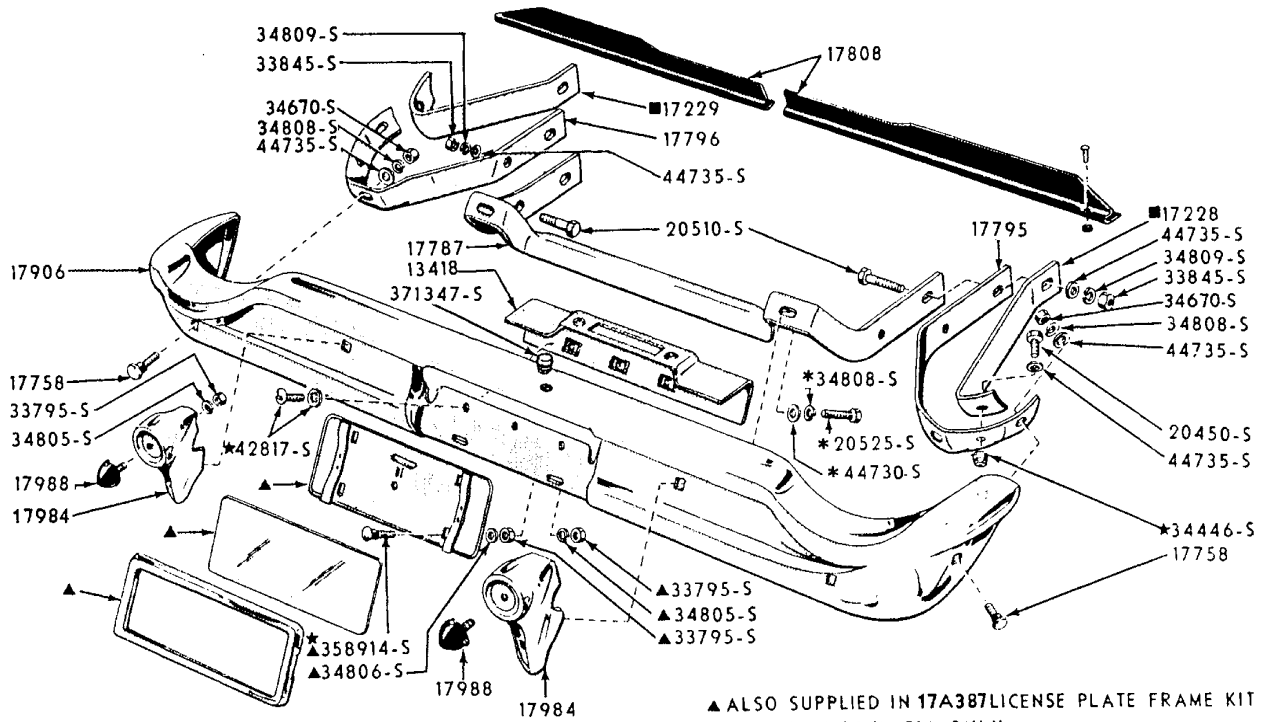


P-2436

1958 Rear Bumper (Station Wagon & Ranchero)

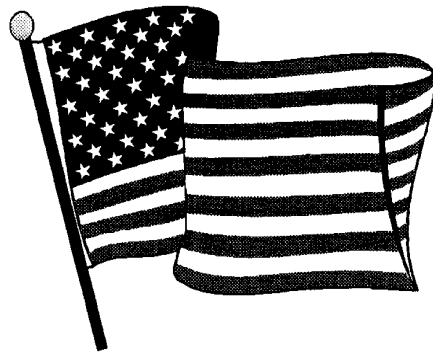


REAR BUMPER



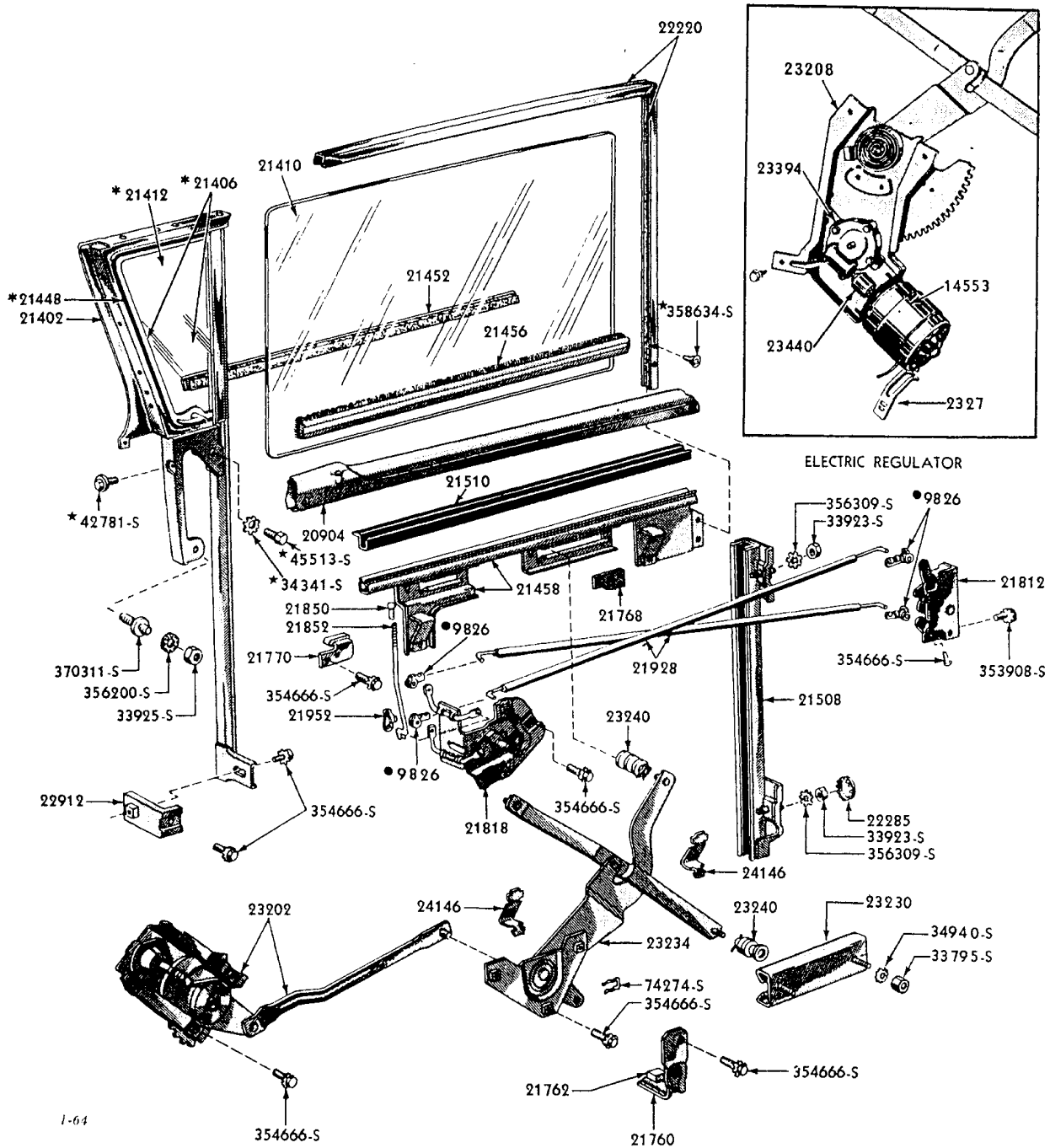
1-64

1959 REAR BUMPER (FORD)



BUY AMERICAN

DOOR PARTS



ELECTRIC REGULATOR

1-64

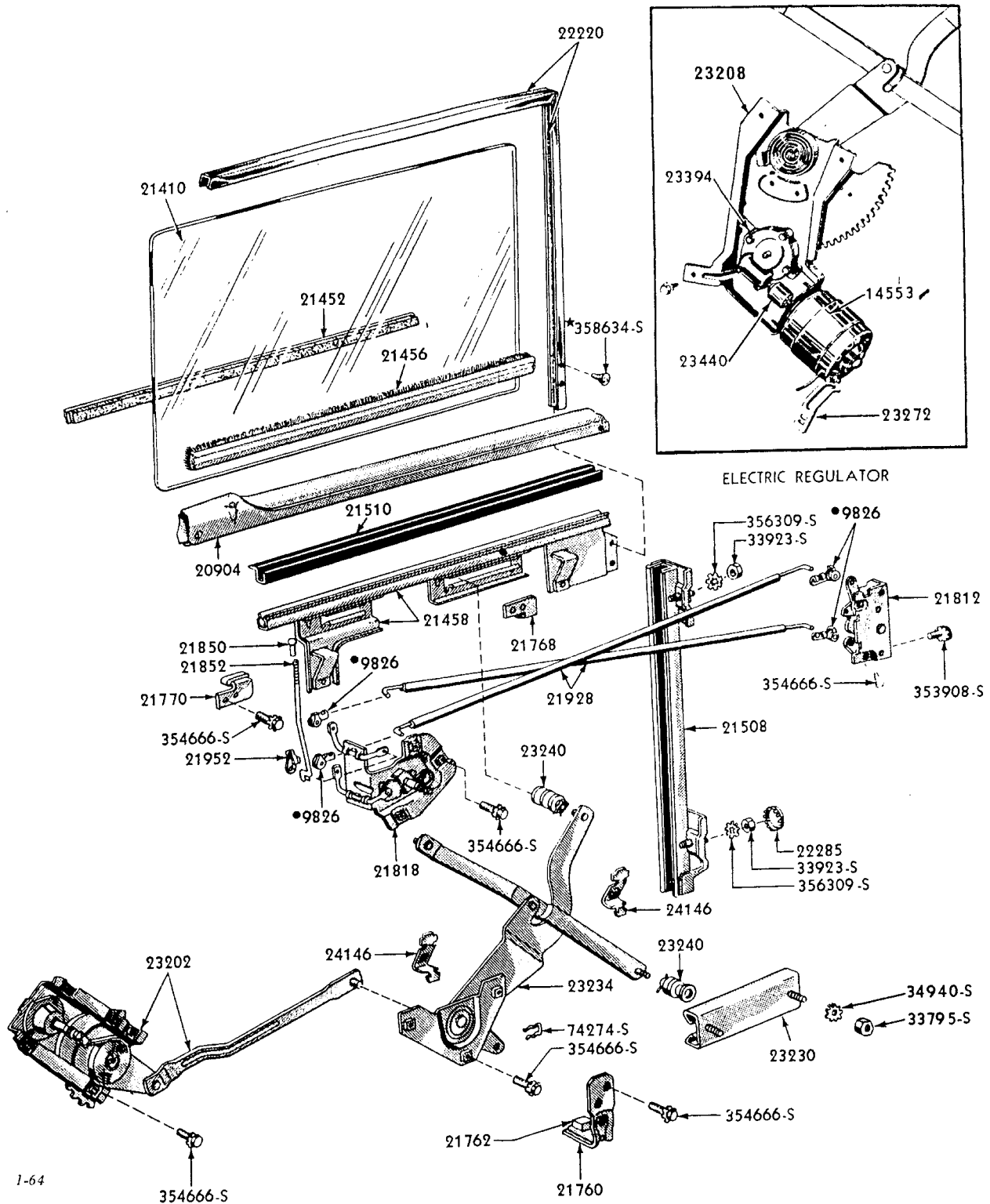
* INCLUDED IN 21402
 ● REFER TO CHASSIS GROUP

P-2211

1957 Front Door Parts (Body Type 51A, 63, 76)



FRONT DOOR PARTS



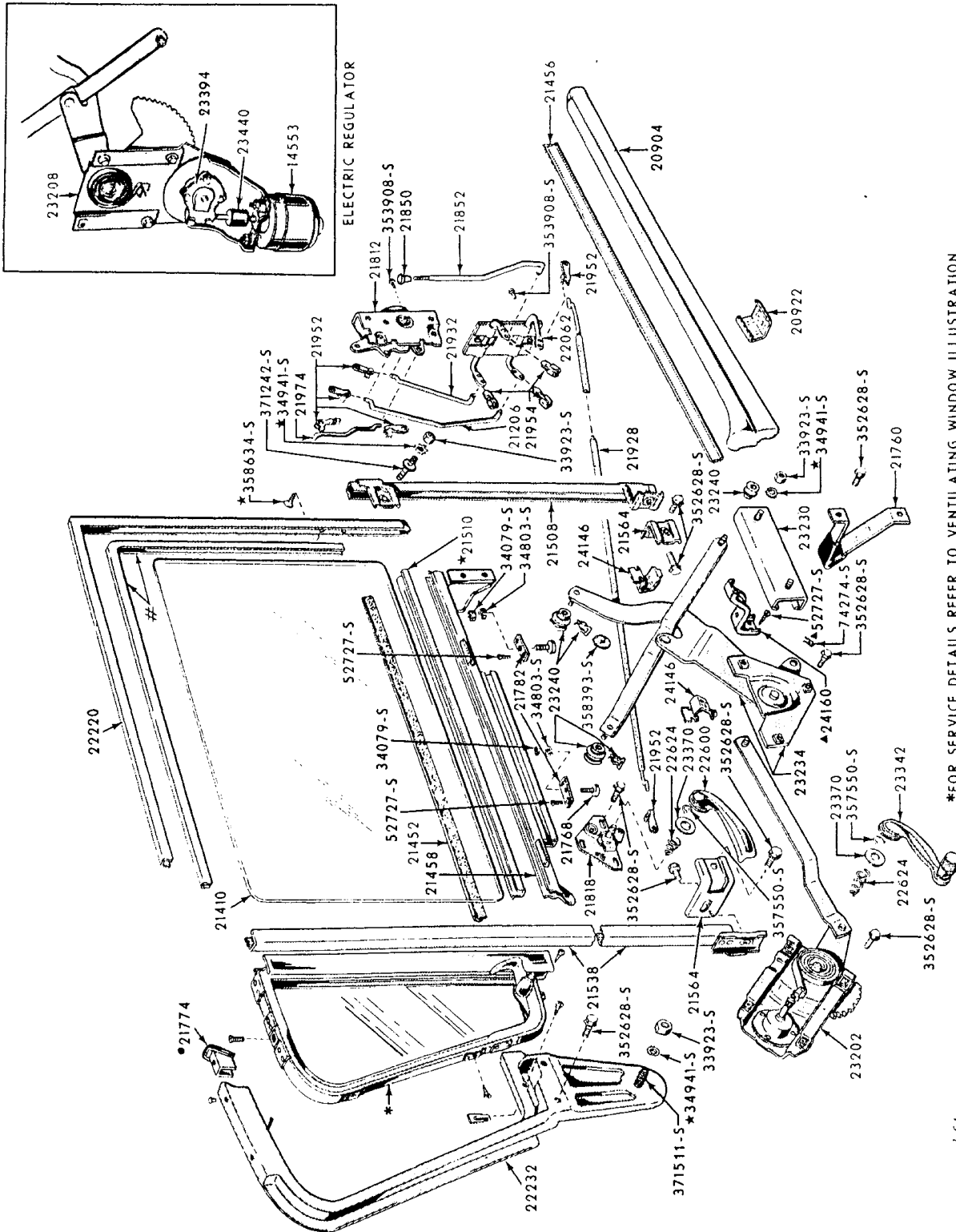
•REFER TO CHASSIS GROUP

P.2540

1958 Front Door Parts (Body Type 51A, 63, 76)



FRONT DOOR PARTS



*FOR SERVICE DETAILS REFER TO VENTILATING WINDOW ILLUSTRATION
 ● ALSO INCLUDED IN 22232
 ▲ USED ON MODELS 51A, 65A, 76B
 # USE BULK GLASS TAPE

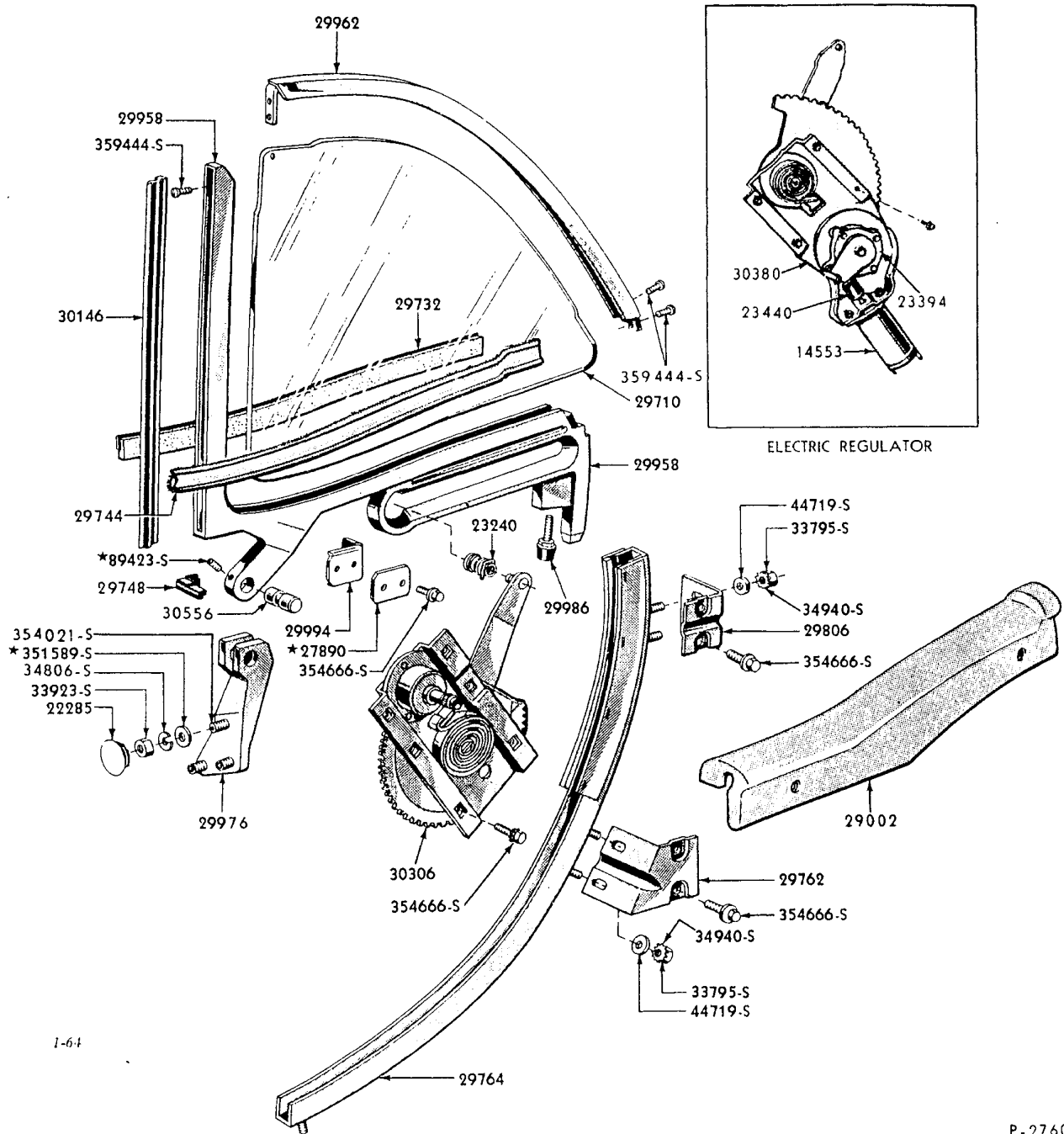
1-61

P-2748

1959 Front Door Parts (Body Type 51A, 63A, 65A, 76B)



WINDOW PARTS



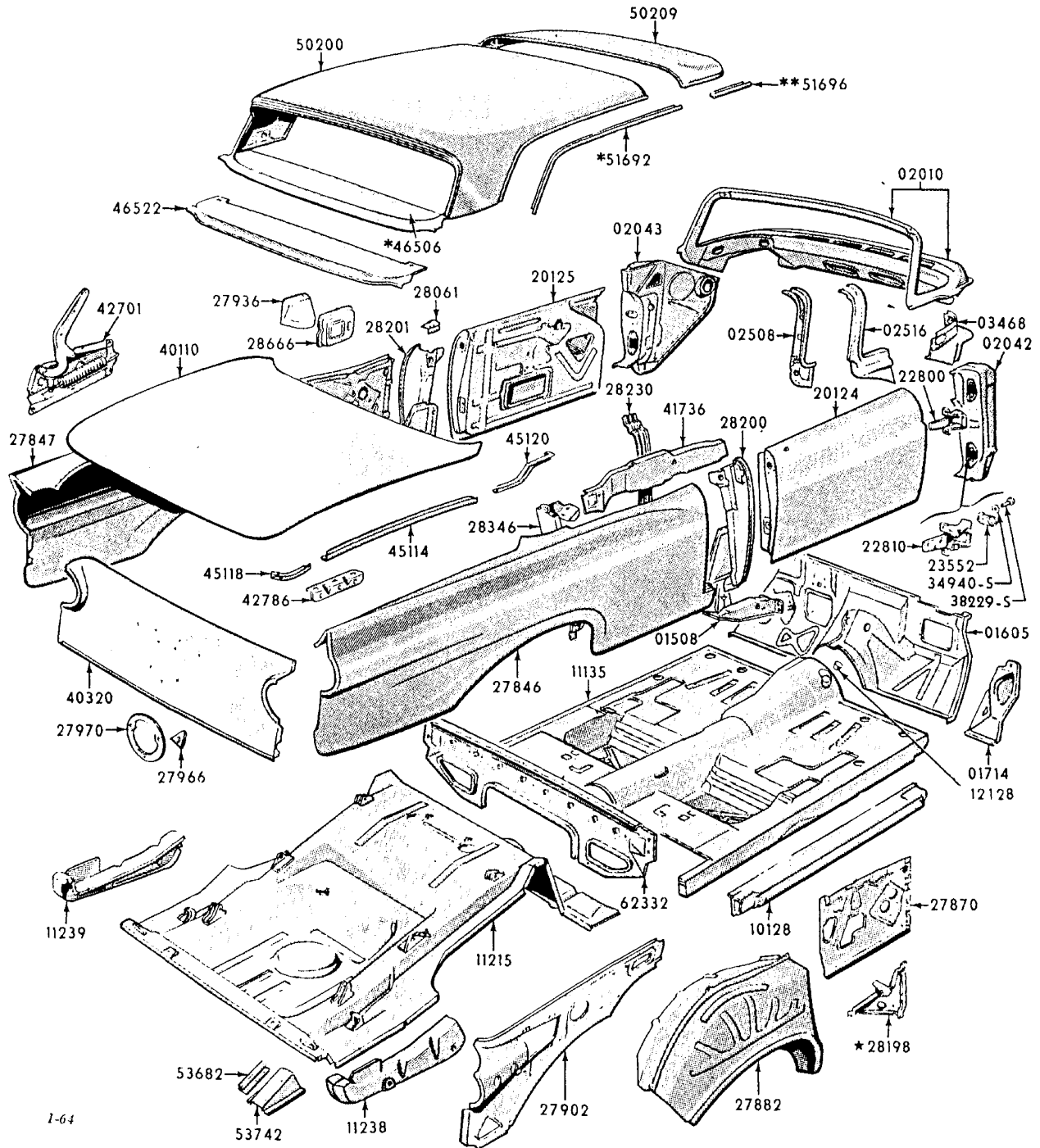
1-64

P-2760

1959 Quarter Window Parts (Body Type 51A)



SHEET METAL



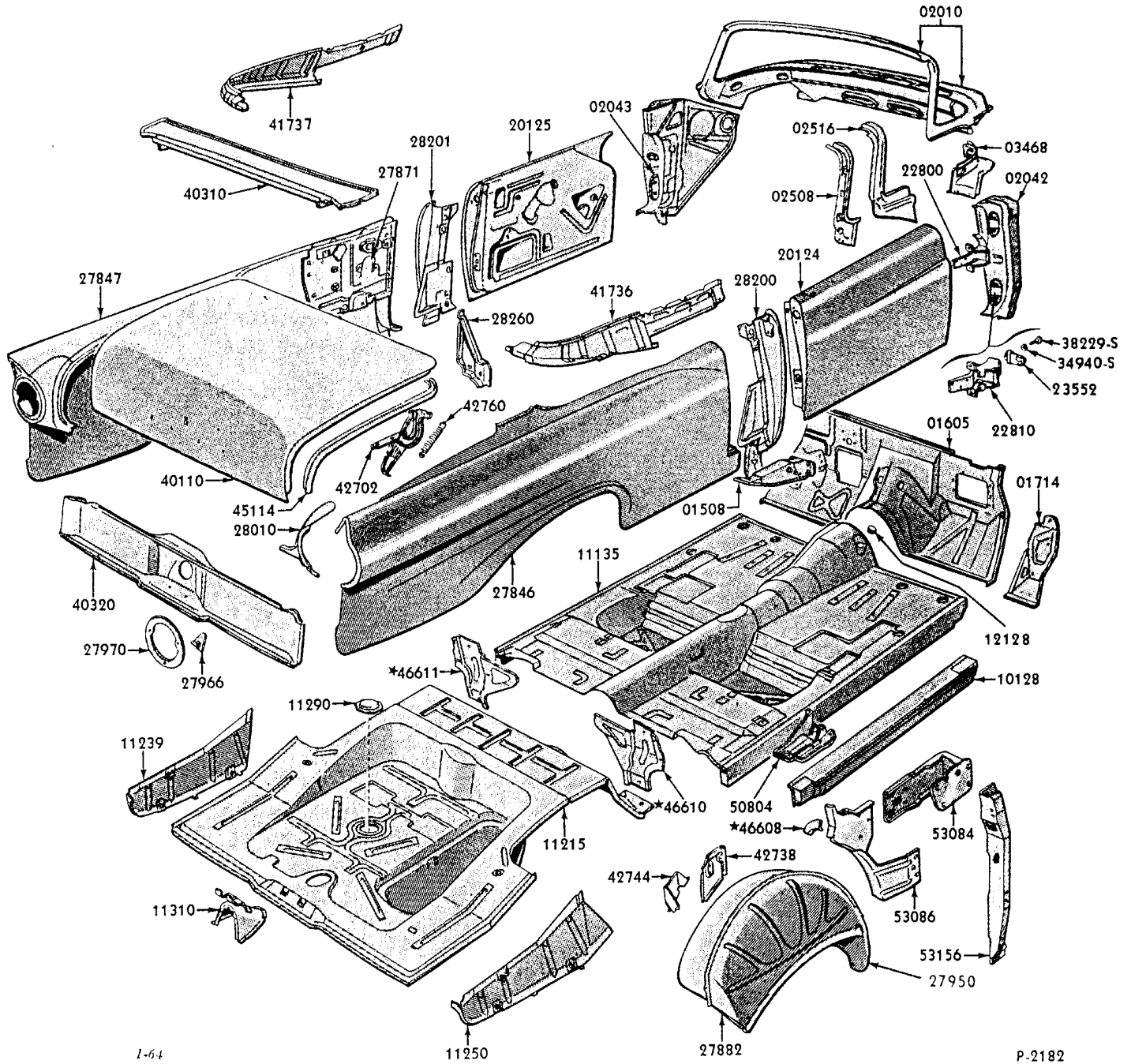
* ALSO INCLUDED IN 50200
 ** ALSO INCLUDED IN 50209

P-2355

1957 Hide-Away Hardtop "Skyliner" (Body Type 51A)



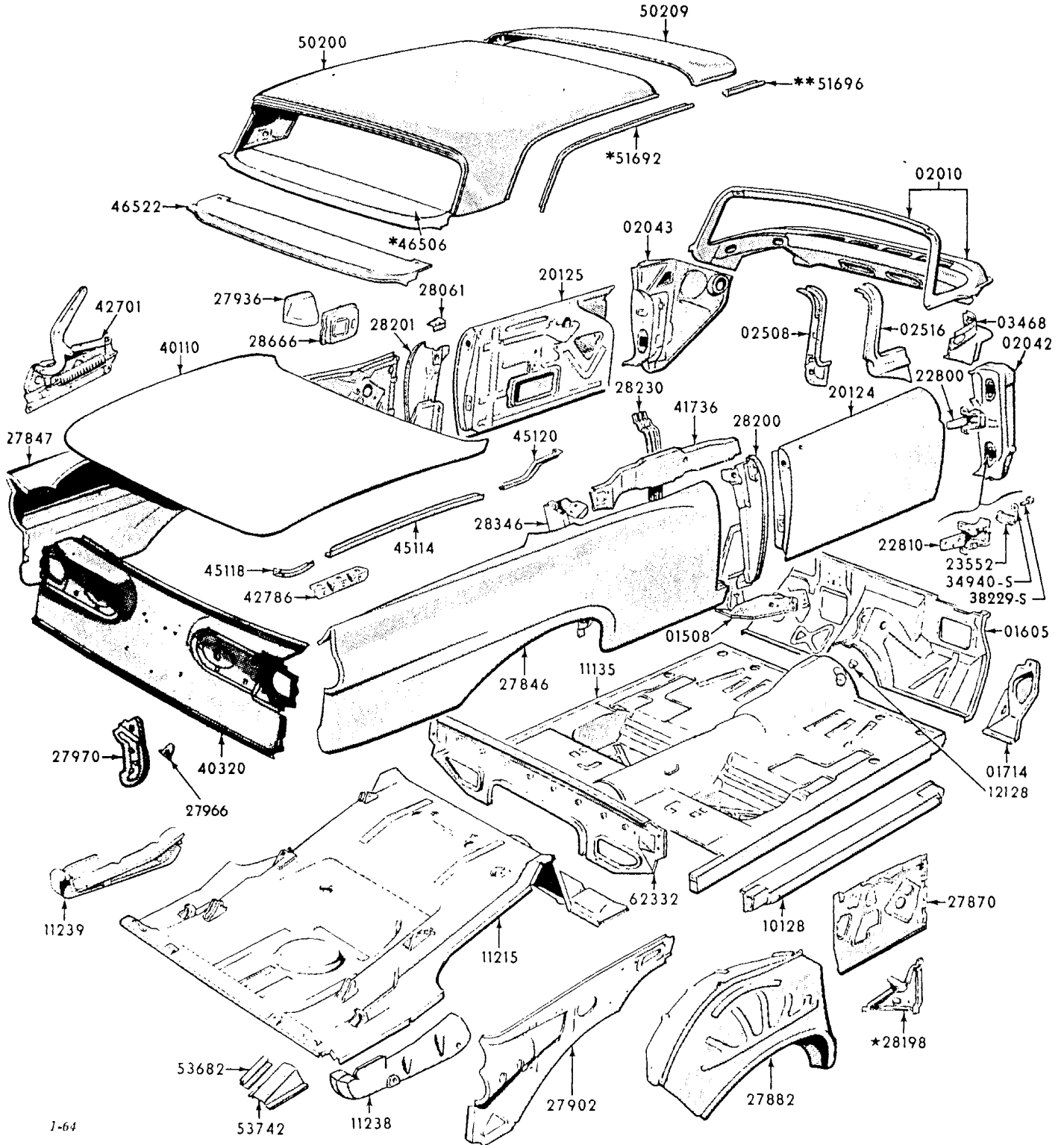
SHEET METAL



1957 Convertible Coupe (Body Type 76B)



SHEET METAL



* ALSO INCLUDED IN 50200
 ** ALSO INCLUDED IN 50209

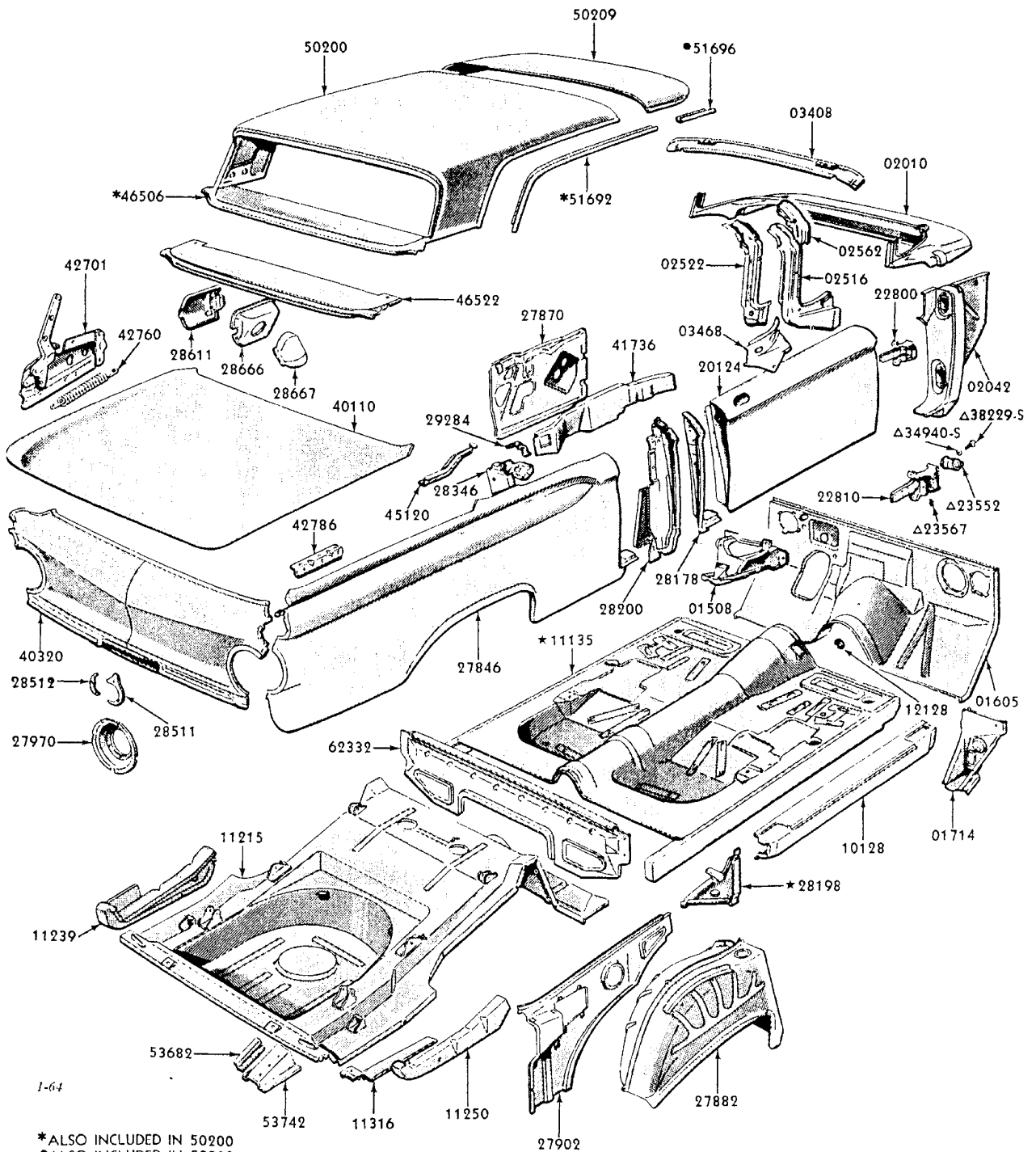
1-64

P-2501

1958 Fairlane "500" Hide-Away Hardtop "Skyliner" (Body Type 51A)



SHEET METAL



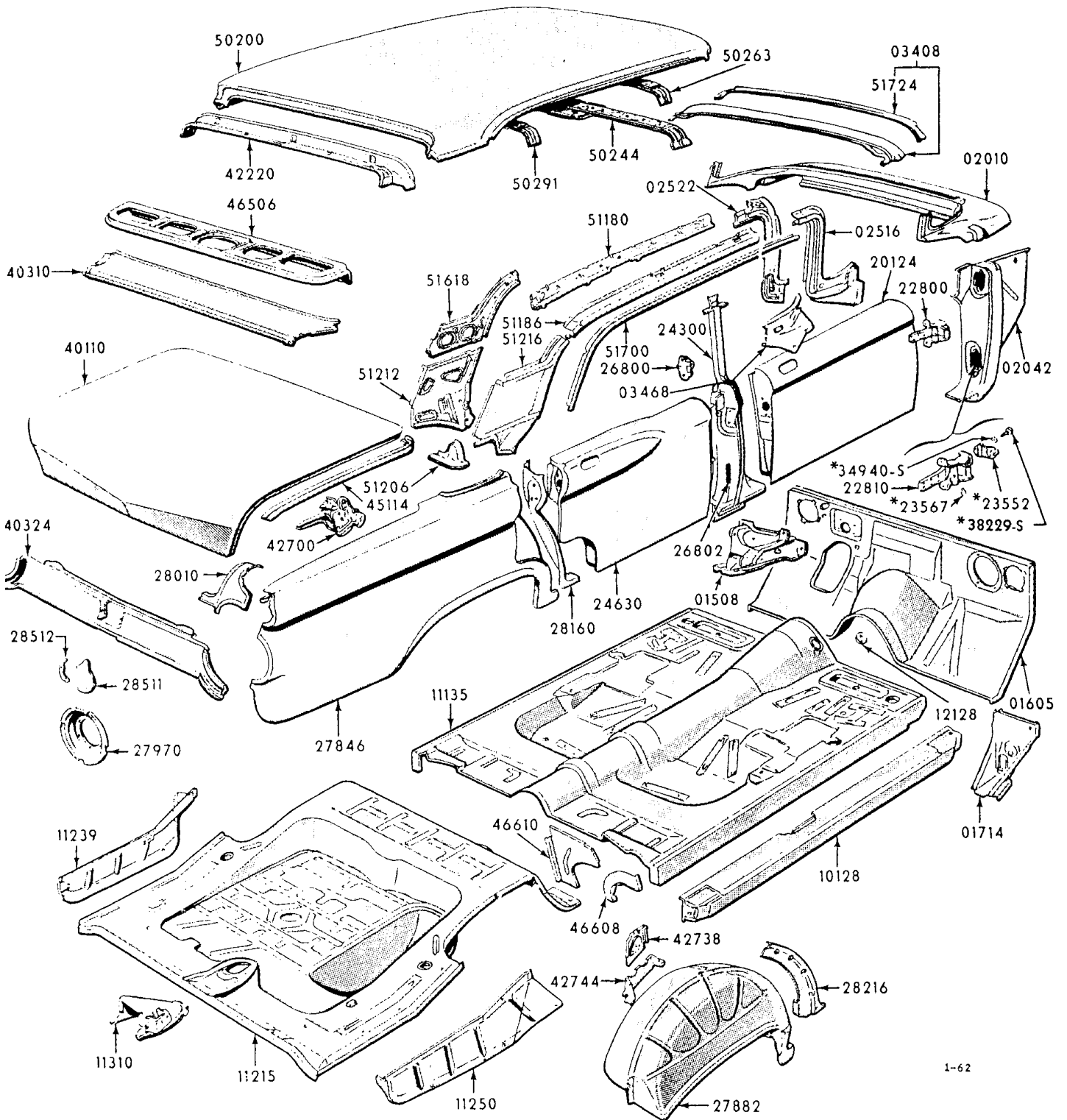
*ALSO INCLUDED IN 50200
 •ALSO INCLUDED IN 50209
 ΔALSO INCLUDED IN 22810 OR 22811

P-2693

1959 "Galaxie" Hide-Away Hardtop "Skyliner" (Body Type 51A)



SHEET METAL



*ALSO INCLUDED IN 22810 OR 22811

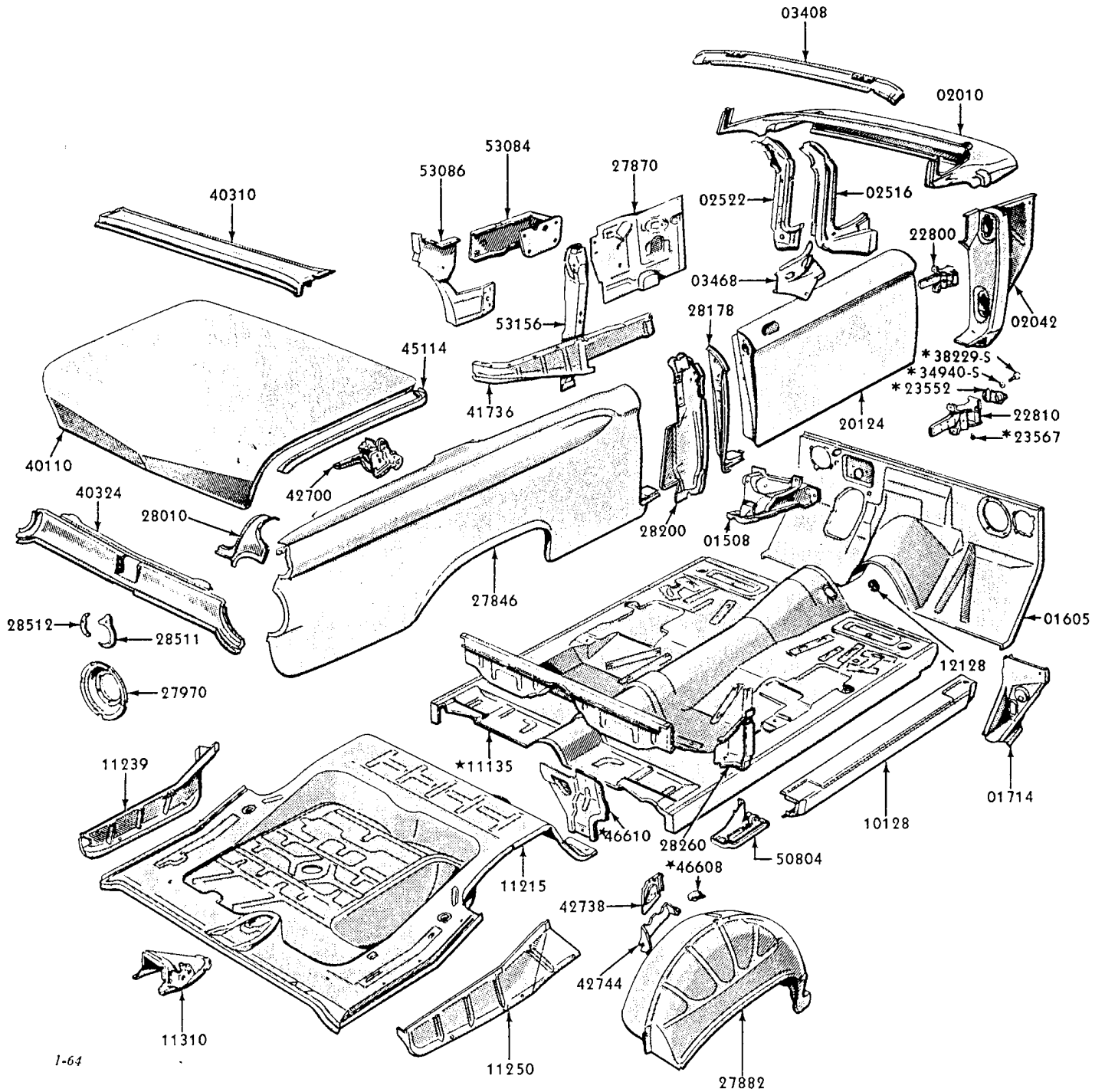
1-62

P-2697

1959 "Galaxie" Town Sedan (Body Type 54A)



SHEET METAL



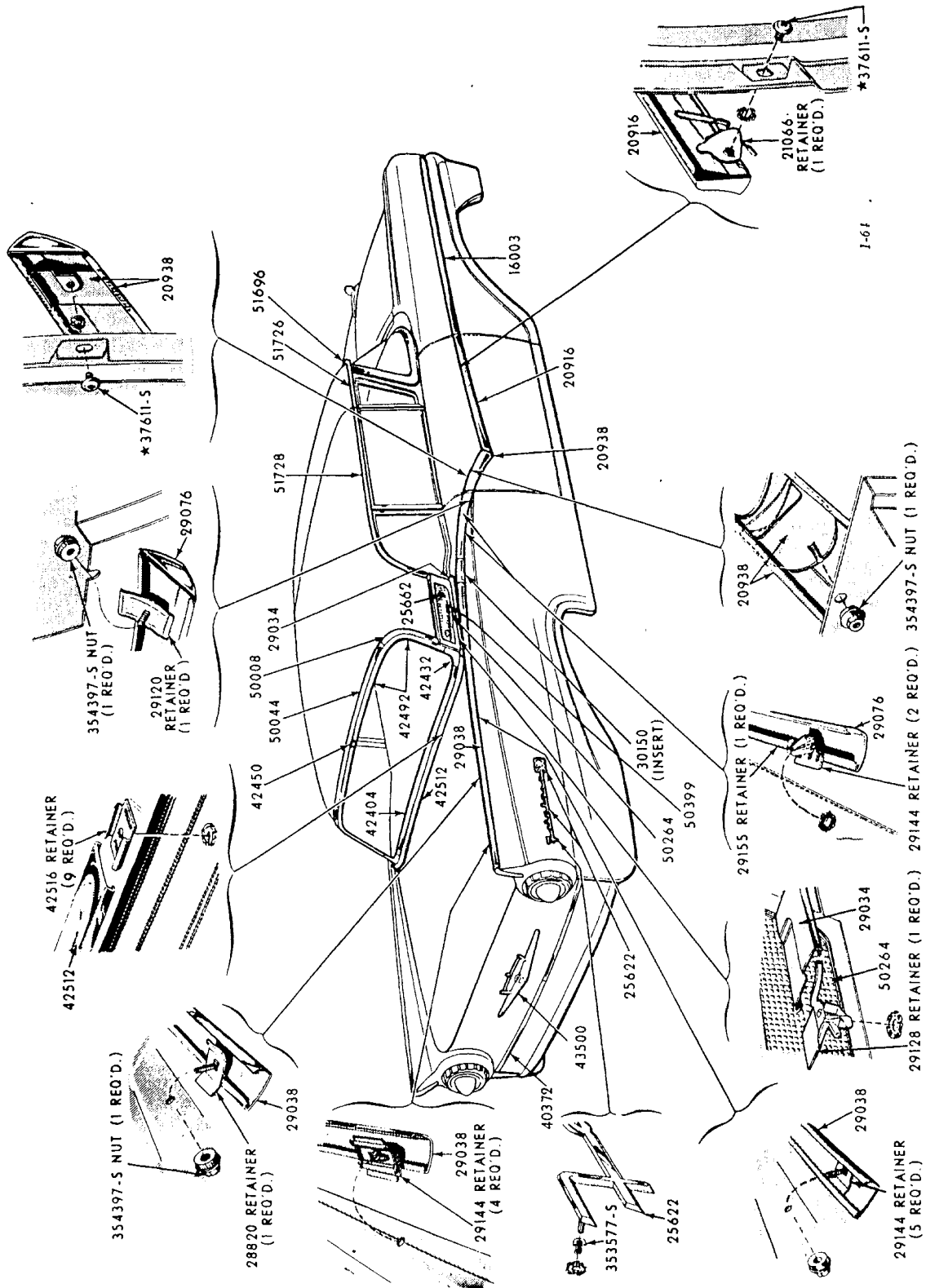
* ALSO INCLUDED IN 22810 OR 22811

P-2702

1959 "Galaxie" Convertible Club Coupe (Body Type 76B)



EXTERIOR MOULDING

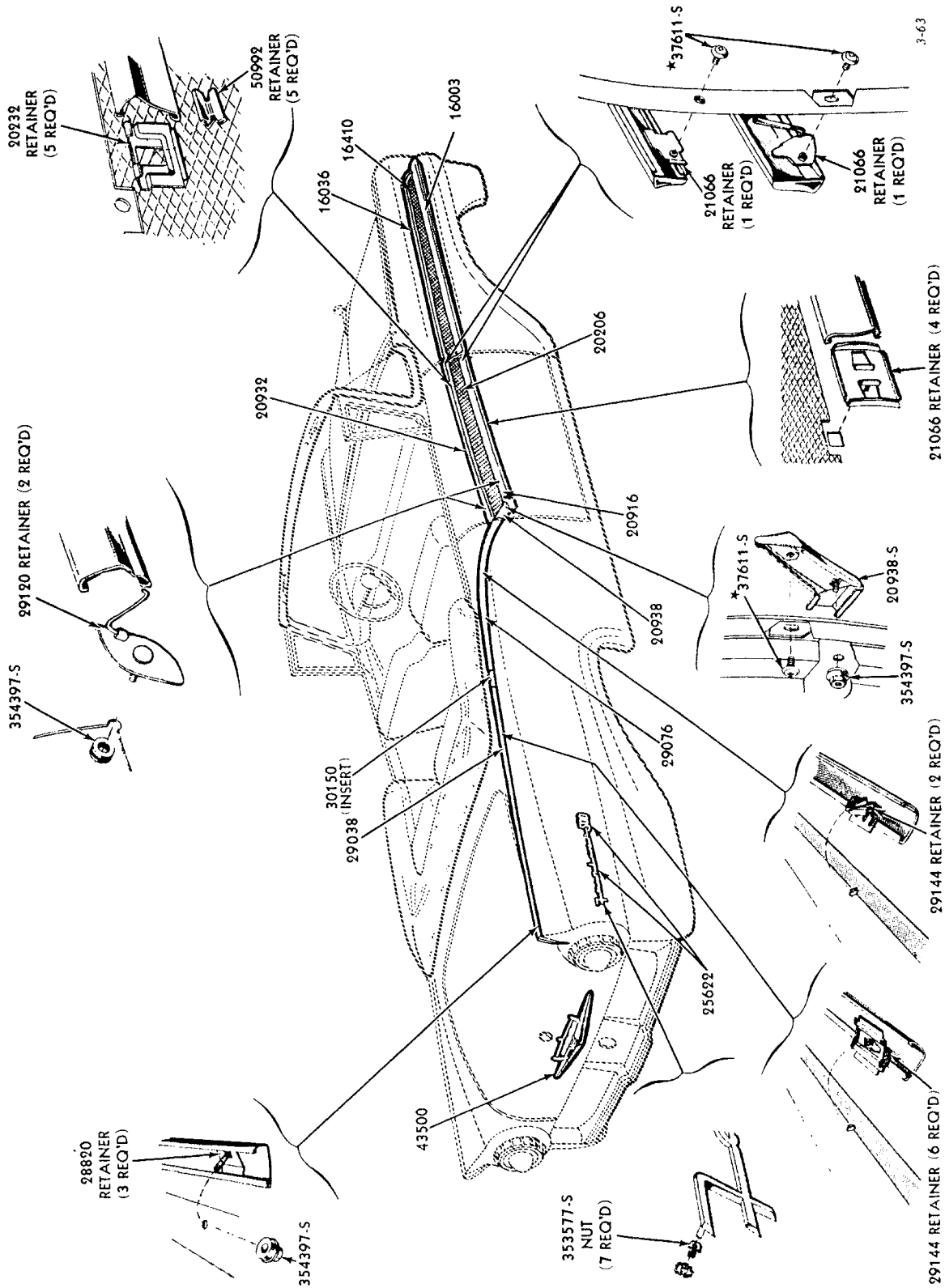


P-2252

1957 Hide-Away Hard Top "Skyliner" (Body Type 51A)



EXTERIOR MOULDING



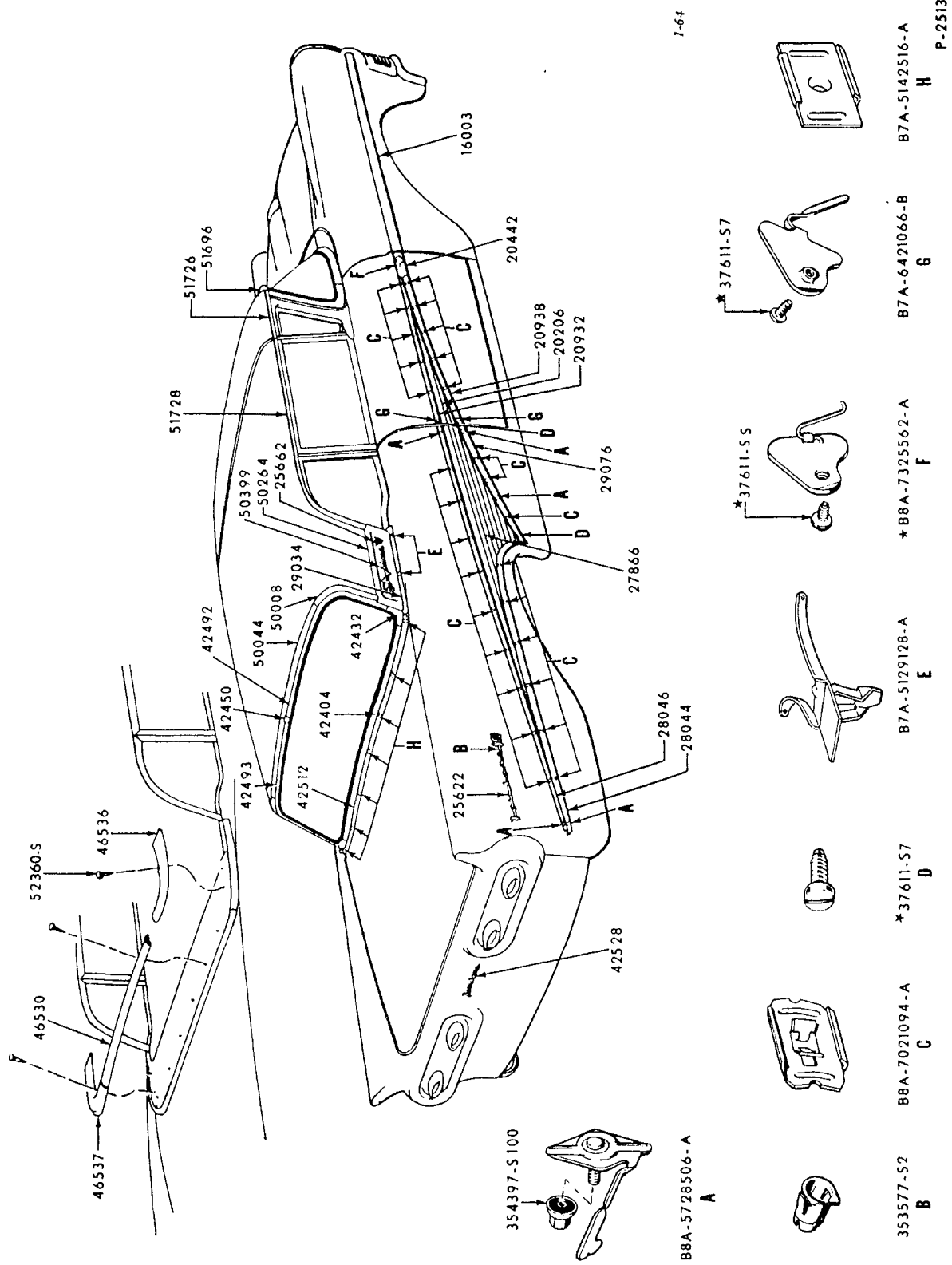
3-63

P-2251

1957 Fairlane "500" Convertible Coupe-Two-Tone (Body Type 76B)



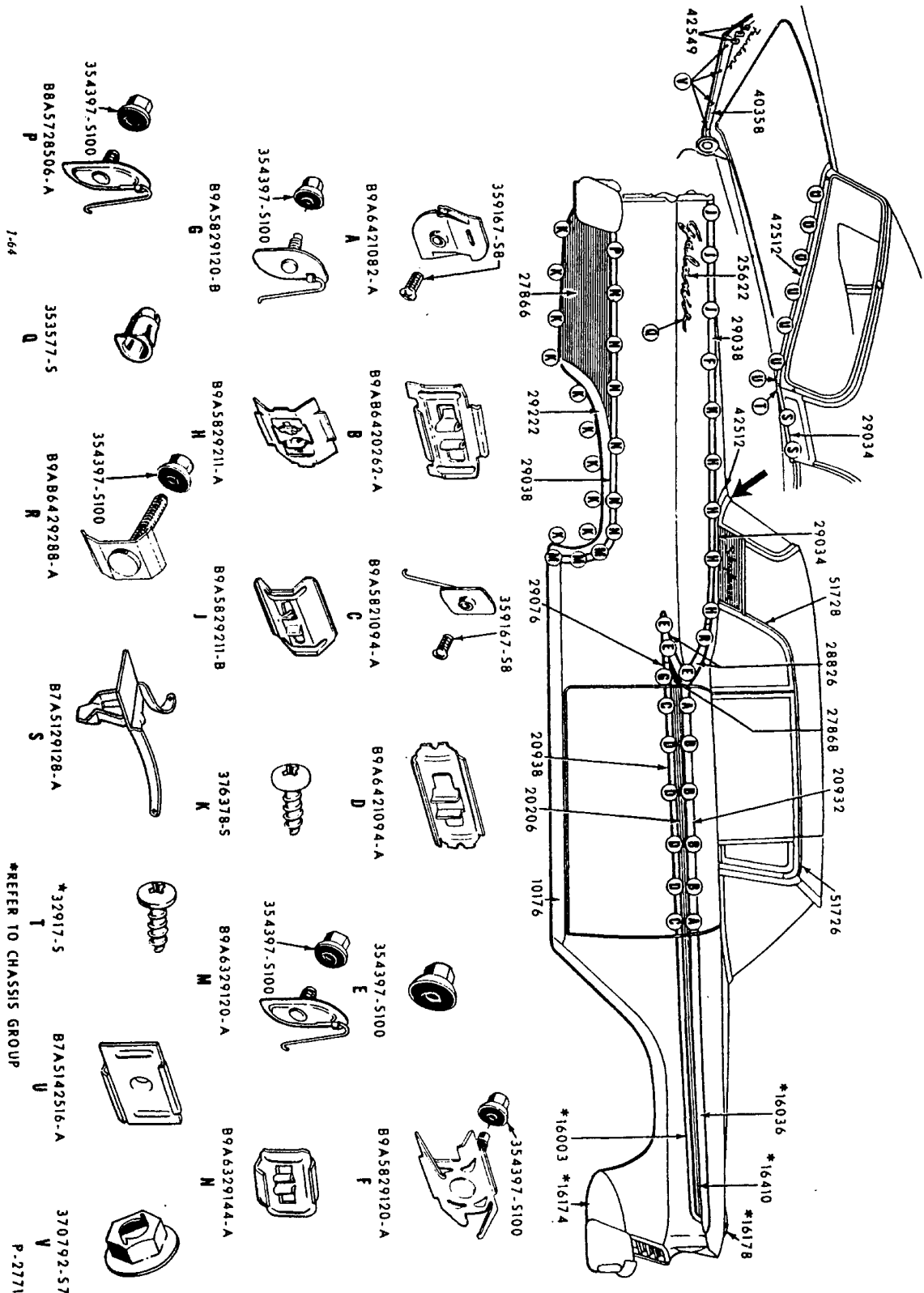
EXTERIOR MouldING



1958 "500" Hide-Away Hard Top "Skyliner" (Body Type 51A)



EXTERIOR MOULDING



*REFER TO CHASSIS GROUP

1959 "Galaxie" Hide-Away Hard Top "Skyliner" (Body Type 51A)



Most Vehicle Cooling Systems Hold 3 1/2 To 4 Gallons Of Liquid.

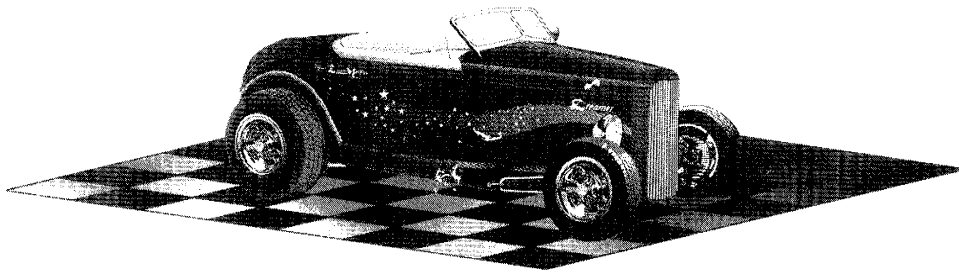
A 50/50 Mix Of Water And Antifreeze Is Common.



For Best Results With
40 BELOW
STOPS OVERHEATING
Do The Following.

CUSTOMER SERVICE

BULLETIN



Note: Although 40 BELOW And Antifreeze Are Compatible, Antifreeze Absorbs Heat And Holds It. This Prevents 40 BELOW From Working At Maximum Efficiency. Therefore, Remove All Antifreeze From The System.

2. Install A New Thermostat Between 160 - 180 Degrees If Possible.

3. Begin To Fill Cooling System With Fresh Water. When Radiator Is About Half Full Take One Or Two Cans Of 40 BELOW, Or STOPS OVERHEATING, Shake Well And Pour Into A Bucket Along With 1/2 Gallon Of Ethelene Glycol Type Antifreeze And 1/2 Gallon Of Water. Stir Well, Then Pour Contents Into Radiator.

Start Engine. Continue To Fill Radiator With Water. Leave Engine Running. Heat Will Build And The Thermostat Will Open. Continue To Fill Radiator Until System Is Completely Full And No Air Pockets Exist. Replace Radiator Cap, Close Hood And Go For At Least A 30 Minute Ride To Properly Circulate The 40 BELOW, STOPS OVERHEATING Product.

The Following Companion Products Will Provide Additional Cooling In The Engine And Transmission. Use At Regular Service Intervals.

As A Result Of Their Use, Water Temperature Can Drop Even More.

4. No. 8012 Engine Cool Formula

Add One 12 Ounce Bottle To The Engine Oil (Contains No Teflon). It Will Lower Oil Temperature Up To 57 Degrees At The Crankshaft.

This Cools The Engine Oil And Stops It From Trying To Superheat The Water. Therefore, The Water Temperature Drops Even More.

Note: Performance And Competition Engines Use No. 8080 Or No. 1600.

NO. 4032

REDUCES WATER TEMPERATURE UP TO 40 DEGREES

ADD TO RADIATOR - STOPS OVERHEATING

CAUTION: NEVER REMOVE RADIATOR CAP UNLESS ENGINE AND COOLANT ARE COLD.

NO. 4033

INSTANT RESULTS

REDUCES WATER TEMPERATURE UP TO 40 DEGREES

STOPS OVERHEATING

ADD TO COOLING SYSTEM

- Controls Water Temperature
- Dramatically Extends Engine Life
- AC Blows Colder

Part No. 4032 30 Fl. Oz.

Product Contents Are Identical

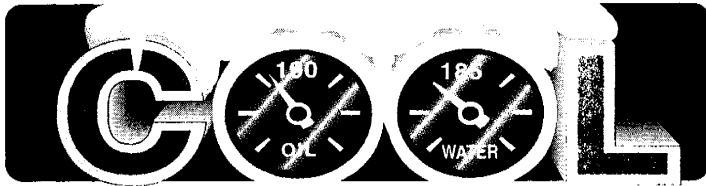
5. No. 4012 Trans Cool Automatic Transmission Formula

Add One 12 Ounce Bottle To The Automatic Transmission. It Instantly Cools ATF Up To 57 Degrees, Stops Foaming, Frees Sticking Valve Bodies, And Doubles Transmission Life. A Must For RV's, Street Rods, Towing, Performance Vehicles, Cars And Trucks. Excellent In Manual Transmissions Using ATF. Dramatically Improves Shifting.

WHY WOULD MY ENGINE RUN HOT?

IT MAY BE ONE OR MORE OF THE FOLLOWING

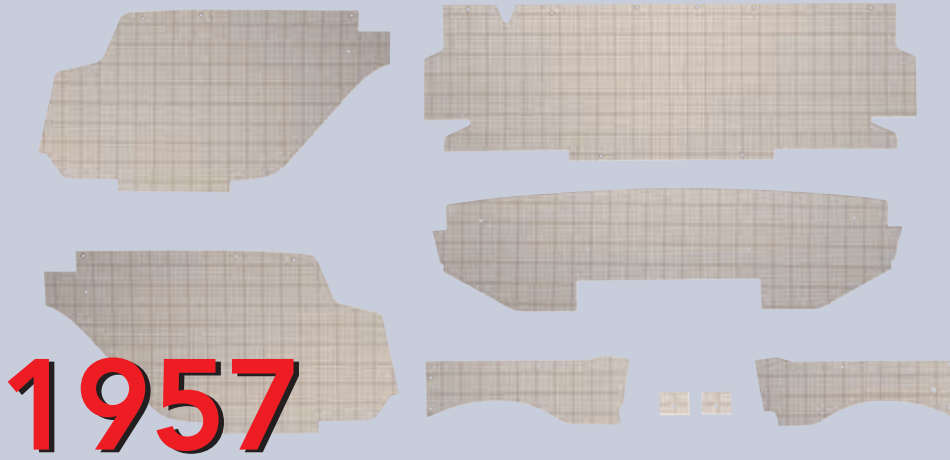
1. A Lean Air/Fuel Ratio. (Also Check Fuel Pump And Filters).
2. Too Much Timing/Retarded Timing/Advance Curve Malfunction.
3. Clogged Radiator/Collapsed Hose (Restricted Water Flow)
4. Clogged Engine (Restricted Water Flow)
5. Stuck Thermostat/Incorrect Thermostat.
6. Bad Water Pump
7. Incorrect Water Pump Speed (Too Slow/Too Fast).
8. Radiator Too Thick.
9. Wrong Pressure Cap.
10. No Shroud Around Fan. Improper Fan Positioning Within Shroud.
11. Bad Fan Design-Stock Factory Type Usually Works Best.
12. High Volume Or Hi Pressure Oil Pump.
13. Electric Fan (Pullers / Pushers) Blocking Air Flow.
14. Too Much Anti-Freeze.
15. Wrong Type Anti-Freeze
16. FLOW TEST: Begin With Cool Engine. Remove Radiator Cap. Start Engine. Bring Engine Up To Operating Temperature So That The Thermostat Opens. Increase Engine Speed To 2000 RPM. If Water Gushes Out Of Radiator There Is A Flow Restriction In The System. This Must Be Corrected For Proper Cooling.
17. Wrong Spark Plugs (ie. Heat Range).
18. Wrong Gasoline Type (Try 89 Or 92 Octane).
19. Clogged Catalytic Converter.
20. Clogged Injector System.
21. Exhaust Getting Into The Water Due To A Cracked Head Or Blown Head Gasket. Have Your Local Radiator Shop Test Your System For Carbon Dioxide.



PRO-BLEND

| <u>Part Number</u> | <u>Description</u> | <u>Price</u> |
|--------------------|---|--------------|
| 4000 | Automatic transmission treatment 7 3/4 oz. Stops wear. Reduces heat up to 57 degrees. | 16.00 ea. |
| 4036 | Performance A/C Blows Colder. Reduces coolant temp. in the radiator. This reduces the underhood temp. and makes the A/C blow colder | 25.00 ea. |
| 4032 | 40 Below--Radiator Treatment--COOLER RUNNING. Reduces coolant temp. up to 40 degrees. Prevents coolant temp. from rising excessively while vehicle is sitting in traffic or running with restricted air flow. Adds to water in radiator. | 25.00 ea. |
| 8888 | Drive Train Formula 7 3/4 oz.---For Manual transmissions. Instantly cools gear lube up to 60 degrees. Eliminates noise heat, wear, and dramatically improves shifting. | 14.50 ea. |
| 1616 | Fast Forward Nitro Power Octane Boost. 16 oz. Instant 30 plus horsepower. Add to gas or alcohol. Treats 10 gallons. | 28.50 ea. |
| 4034 | Cool and Clean-- Add to water in radiator. Dissolves deposits in radiator, stops rust, and freshens cooling system. Also reduces temperature up to 10 degrees. | 30.00 ea. |
| 4035 | Heater Blower Hotter-- During winter. Add to water in radiator Warms quicker and defrost sooner. | 30.00 ea. |

TRUNK BOARDS



Modified Jack Cover is the only change from 1957

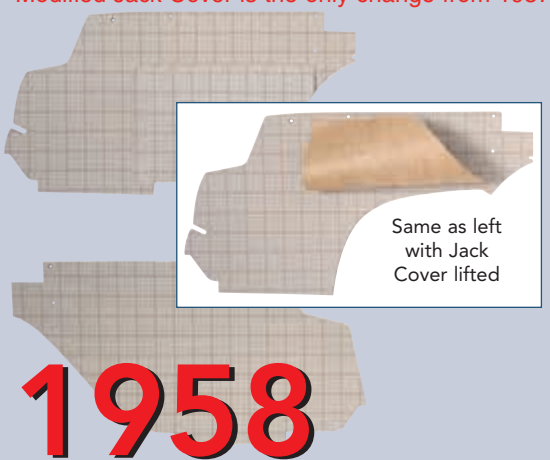


Photo showing Trunk Boards and Burtex floor covering with tub in place.



Photo showing Right Hand Rear Board, Back Board and Burtex floor covering with tub removed

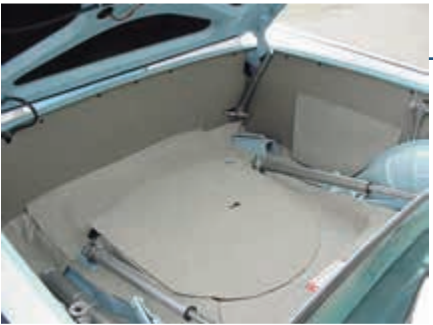


Photo showing Left Hand Rear Board with jack cover flap, Back Board and Burtex floor covering with tub removed.

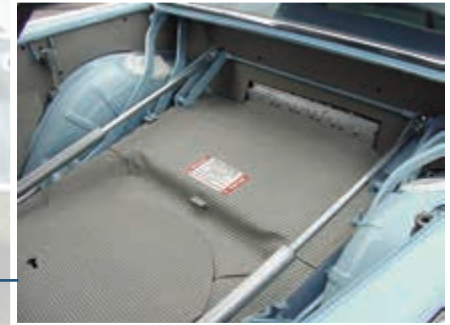
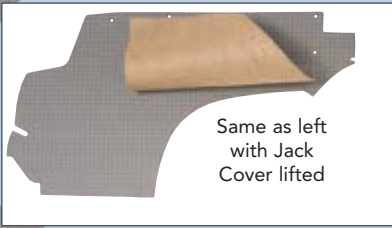
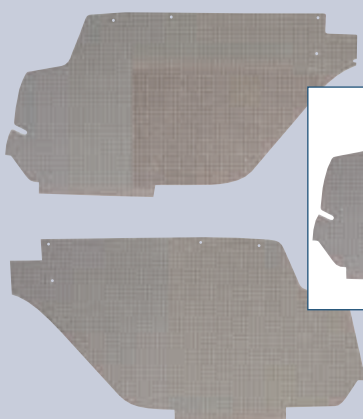
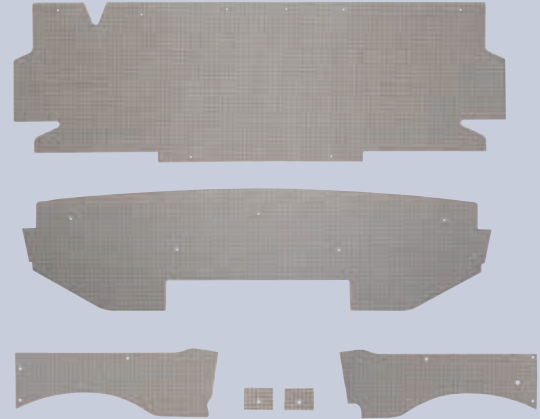


Photo showing Left Hand Front Board, Front Board and Burtex floor covering with tub removed.



1959



A complete set of Skyliner Trunk Boards includes Burtex floor covering and decals. Indicate year when ordering • Call for pricing



Jerry's Classic Cars & Parts, Inc. • 4094 McRay Avenue • Springdale, AR 72762

Customer Service: (479) 750-1681 • Fax (479) 750-1682 • Orders Only 1-800-828-4584

